

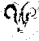


RAM

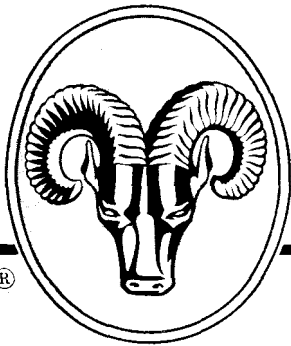
TELEVISION COMPONENTS

SERVICE MANUAL

FEATURING:

-  PIX-A-FAULTS
-  TROUBLE-FACTS
-  CIRCUIT DIAGRAMS

RAM COMPOSITES



1956 EDITION

ORIGINAL SERVICE REPLACEMENTS

Authentic recommendations directly
from Manufacturers' specifications!

\$100 each

© 1956 RAM ELECTRONICS SALES CO.



HORIZONTAL OUTPUT TRANSFORMERS

for the most
COMPLETE
in SWEEP
depend on
RAM



COMPOSITES*

*** ORIGINAL
SERVICE
REPLACEMENTS**

RAM
ELECTRONICS
SALES CO.
Irvington, N. Y.

RAM	MOUNT- ING TYPE	KV	OPERATING CONDITION		DIRECT REPLACEMENT AND DESCRIPTION
			B + SUPPLY	BOOST	
X032	A	13.0	325	510	High efficiency - 630 circuits
X035	A	14.5	325	525	Similar to X032 - higher voltage
X036	A	10.5	320	420	RCA 211T1, 211T3
X045	B	14.0	320	450	GE77J1 and GE circuits
X047	C	13.0	325	510	DeWald, Jackson, Sentinel
X048	C	12.0	300	470	Dumont 20005021
X049	C	13.0	350	510	Sparton, Fada
X050	A or C	13.0	325	510	Philharmonic, Airline, Silvertone
X051	B	16.0	230	460	Majestic C9, 253, D9, 259; GE RTO-101, RTO-104, 109, 114
X053	A	15.0	325	510	Regal 140-126, Jewel 91T5A
X054	A	13.0	250	515	CBS, Silvertone A 10126
X064	C	14.0	230	480	Emerson 738056, 60, 64; Hallicrafter
X065	C	16.0	230	480	Emerson 738067, 68, 69, 73, 74
X066	A	14.0	325	510	Airline, Silvertone, CBS, Olympic
X068	F	10.0	270	350	RCA, Emerson, Magnavox, Packard Bell
X069	B	16.0	300	500	Stromberg Carlson 161042, Olympic
*X070	D	13.0	325	510	Zenith
X071	E	14.5	360	460	Admiral 79C30-1, -3
X072	E	13.0	260	400	Admiral 79C30-2, -4
X073	D	11.0	325	510	Zenith (also see X116)
X074	I	16.0	280	475	RCA 225T1; Hallicrafter, Silvertone, Arvin, Hoffman, Dumont, Packard Bell
X075	A	14.0	325	510	CBS 10136, Firestone, Silvertone
X076	A	16.0	280	500	Muntz 70-0031
X077	A	13.0	325	500	RCA 211T5 Voltage Doubler
X078	G	13.0	325	500	Travler TVX 104, 106
X079	G	13.0	325	500	Travler TVX 107, 108, 109, 110-114, 130, 131
X080	I	16.0	280	475	Andrea, Dumont, GE, Hallicrafter, Hoffman, Arvin, RCA
X081	C	14.0	325	510	Westinghouse V9904-1
X082	C	15.0	325	510	Westinghouse V10214-1
X083	G	13.5	125	310	Sylvania 241-0003
X084	G	13.0	125	310	Sylvania 241-0005, 6
X085	G	13.0	125	310	Sylvania 241-0007
X086	H	13.0	310	510	Philco 32-8428-2
X087	H	13.0	310	510	Philco 32-8453-3
X088	H	13.0	310	510	Philco 32-8509, 8465-2, 8484-2
X089	H	13.0	310	510	Philco 32-8509-2
X090	K	13.0	240	410	Philco 32-8534, 8533
X091	K	15.0	230	350	Philco 32-8555
X092	K	14.0	250	320	Philco 32-8565
X093	C	20.0	260	530	Magnavox 360552, 360577
X094	I	19.0	320	675	RCA 235T1; CBS PC-10155; Stromberg-Carlson 161045; Packard Bell, Silvertone
X096	A	12.0	250	480	Magnavox 320061, -1, -3
X097	C	18.0	260	-	Magnavox 360561
X098	I	17.0	280	540	Magnavox 360580
X099	J	15.0	300	520	Farnsworth 850220, 850285
X100	K	16.5	230	350	Philco 32-8572
X102	L	17.5	250	450	Admiral 79D41-1, -2
*X103	M	10.0	240	-	Motorola 24C790184, 24K791974
*X104	M	14.0	240	530	Motorola 24C701134, 710636, 792596, D, 24K700588, 701099, 792753
*X105	M	16.0	265	660	Motorola 24C701552, 711652, 701636
*X106	O	16.5	265	490	Motorola 24C711265, A, 721290, 730689; 24K702975, 711266, 711937, 712193, 720615, 721301, C, 721517, C, 722126, 722700, 730690, 91, 92, 902, 3, 4
*X107	A	11.0	350	440	Airline, Raytheon, Coronado, Trans-Vue, Truetone 12M-17967, 12M-18285, 12M-18286
*X108	E	11.0	350	520	Airline, Raytheon, Coronado, Truetone 12M-18530, 12M-18689, -1, -2, 201-18562, -1

CONTINUED

HORIZONTAL OUTPUT TRANSFORMERS

RAM	MOUNTING TYPE	KV	OPERATING CONDITION		DIRECT REPLACEMENT AND DESCRIPTION
			8 + SUPPLY	BOOST	
*X109	B	10.5-13.5	350	460	Airline, Raytheon, Coronado, Trans-Vue, Truetone 201-19817, -1, -2, -3, 201-19533-1, 12M-19407, -1, -2, 12M-19408, 12M-19190
*X110	B	16.5-18.0	350	580	Airline, Raytheon, Truetone 201-19874, 201-19999-1, 201-21270, -1; Wells Gardner 53X326, 53X328, 53X329, 53X330; Sentinel 22880; Spanton PC70015
*X111	B	12.5	240	480	Airline, Raytheon, Truetone 201-21025, -1
*X112	B	15.0	240	450-480	Raytheon 201-22396, -1
X114	A	18.0	340	525	Muntz 70-0036, -1
*X115	P	8.0-10.0	345-400	400-480	Crosley AC146756, 147552, 148161, 149146
*X116	D	14.0	250	430	Zenith S18567, 18990, 19032, 19728
*X117	Q	11.0-13.0	300-380	480-550	Crosley AD148258, 149567, 149661, 151195, 151802, 153619
*X118	O	13.0	260-275	490-520	Crosley 154069-1, 154990-1, -2, -3, -4, 155514-L, 156330-1, Hallicrafter, Hoffman
*X119	I	12.0	340	475	Hallicrafter, Silvertone, Truetone 55C133, 55C143, 55C144
*X120	L	11.5	360	580	Hallicrafter, Silvertone 55C154, 55C155
X121	U	10 KV	440	285	Arvin, Silvertone 23089; Majestic C9, 251
*X122	R	12-14	350	620	Hoffman 5144, 5145, 5146, 5147, 5148, 5149, 5155
*X123	S	12-13	260	480-600	Crosley AD-157820, AD-158481; Hallicrafter 55D251, 55D253, 55D266, 55D270; Sentinel 20E995
*X124	T	10-12	270-375	390-610	RCA 75519, 75585, 76154, 76381
X125	T	16.4	350	640	RCA 76501
*X126	V	13-15	225-240	400-435	Airline, Rendix, Coronado, Raytheon, Truetone 12E-23939, 12E-24612, 265106-1
*X127	C	15-19	240-310	375-530	Westinghouse V-11548, -1, -2; V-12073, -1; V-14627, -1; V-14346; V-15924-1, -2; V-15650
X128	W	13-17	270-380	475-500	RCA 78810, 78201, 79736, 79870, 79145, 100860
*X129	X	13-17	270-300	475-500	Admiral 79C80-2, -3, -4, -5
*X130	R	13.5-15.0	250-285	450-500	Trav-ler

* "COMPOSITE" EXCLUSIVELY ENGINEERED BY RAM.
TRANSFORMERS REPLACING A RELATED GROUP OF INITIAL EQUIPMENT FLYBACKS, COVERING SEVERAL MANUFACTURERS, COMBINING THE EXACT ELECTRICAL AND MECHANICAL CHARACTERISTICS OF THAT GROUP.

DEFLECTION YOKES

RAM	INDUCTANCE		D.C. RESISTANCE	
	HORIZ.	VERT.	HORIZ.	VERT.
Y70 F08	8.3 MH	50.0 MH	9.5 Ohms	60.0 Ohms
Y70 F08/43	8.3 MH	43.0 MH	9.5 Ohms	48.0 Ohms
Y70 F10	10.0 MH	50.0 MH	10.0 Ohms	60.0 Ohms
Y70 F10/43	10.0 MH	43.0 MH	10.0 Ohms	48.0 Ohms
Y70 F12	12.0 MH	50.0 MH	16.0 Ohms	52.0 Ohms
Y70 F14	14.0 MH	50.0 MH	14.5 Ohms	60.0 Ohms
Y70 F14/43	14.0 MH	43.0 MH	14.5 Ohms	48.0 Ohms
Y70 F14/3	14.0 MH	3.0 MH	23.0 Ohms	3.3 Ohms
Y70 F17	17.0 MH	50.0 MH	20.0 Ohms	60.0 Ohms
Y70 F18/43	18.0 MH	43.0 MH	21.0 Ohms	48.0 Ohms
Y70 F20/43	20.0 MH	43.0 MH	22.0 Ohms	48.0 Ohms
Y70 F25	25.0 MH	50.0 MH	27.0 Ohms	60.0 Ohms
Y70 F25/3	25.0 MH	3.3 MH	27.0 Ohms	4.0 Ohms
Y70 F30	30.0 MH	50.0 MH	35.0 Ohms	60.0 Ohms
Y70 F30/3	30.0 MH	3.3 MH	35.0 Ohms	4.0 Ohms
* Plug	30.0 MH	3.3 MH	35.0 Ohms	4.0 Ohms
Y90 F12/47	12.0 MH	47.0 MH	15.0 Ohms	43.0 Ohms
Y90 F19/43	19.0 MH	43.0 MH	30.0 Ohms	41.0 Ohms

CONTINUED

CROSS INDEX

MANUFACTURER PAGE

- Affiliated Retailers see ARTONE . . . 7
- Air King-CBS Columbia
see CBS Columbia 10
- Astoria }
Herald } see Macy 22
Hyde Park }
- Belmont-Raytheon see Raytheon . . . 33
- Brunswick see Philharmonic 31
- Conrac see Fleetwood 17
- Farnsworth see Capehart 9
- Gamble-Skogmo see Coronado 11
- Garod see Majestic 23
- Meck see Scott 36
- Mirrortone see Scott 36
- Montgomery Ward see Airline 5
- Radio & Television see Philharmonic • 31
- Sears Roebuck see Silvertone 38
- Sheraton see Video Products 48
- Spiegel see Aircastle 5
- Telindustries see Kaye-Halbert 22
- Western Auto see Truetone 46
- Wilcox Gay see Majestic 23

- Circuit Diagrams 52-63
- How to dress H-V Rectifier
Lead correctly 65
- Pix-A-Faults 32,33,63,64
- Trouble-Facts 66

KEY TO SYMBOLS

- DRILL NEW MOUNTING HOLES.
- † DRILL NEW MOUNTING AND MOUNT ON CHASSIS.
- ♦ CONNECT AS AUTO-TRANSFORMER.
- Ⓞ INDICATES FOOT NOTES.

© RAM ELECTRONICS

**BE SURE TO TURN TO PAGES 32, 33, 52-66
FOR HELPFUL SERVICE INFORMATION**

LINEARITY AND WIDTH COILS

RAM	MILLIHENRIES	OHMS
201R1A	0.07 - 0.5	0.7
201RS4	5.0 - 35	39.5
201R4	0.18 - 1.5	1.2
201RSA*	0.5 - 4.8	7.5
201R10	3.2 - 28.2	21.5
201R11	PRI. 0.18 - 1.4 SEC. 4.5 - 16.0	1.2 48.0
201R12*	1.2 - 8.0	5.6
201R13A	0.44 - 3.1	2.3
201R14	PRI. 2.6 - 5.5 SEC. 5.0 - 22.0	24.0 36.5
201R15	2.0 - 14.0	11.0
201R16	2.8 - 18.8	12.3
201R17	0.17 - 1.8 8.0 - 5.0	2.5 22.0
201R19	2.8 (0.15 CAP.)	16.0

* TAPPED COIL

VERTICAL BLOCKING OSCILLATOR TRANSFORMERS

RAM	TURNS RATIO PRI/SEC	MOUNTING TYPE	MOUNTING CENTERS	DIMENSIONS			SHIPPING WEIGHT IN LBS.
				HEIGHT	WIDTH	DEPTH	
V401	1: 4.2	V5	1 15/16	2 1/8	2 1/4	1 17/32	1
V402	1: 4.2	V6	1 7/32	1 25/32	1 5/32	1 5/32	1/2
V403	1: 4	V5	2	1 21/32	2 3/8	1 13/32	1
V404	1: 1.5	V3	2	1 11/32	2 3/8	1 3/8	1/2
V405	1: 4.2	V3	1 3/4	1 1/8	2 1/16	1 3/8	1/2

VERTICAL SCANNING OUTPUT TRANSFORMERS

RAM	TURNS RATIO PRI/SEC	PRIMARY IMPEDANCE	MOUNTING TYPE	MOUNTING CENTERS	DIMENSIONS			SHIPPING WEIGHT IN LBS.	
					HEIGHT	WIDTH	DEPTH		
V301	10: 1	19,000Ω	13 MADC	V1	1 19/32 x 2	3 1/16	2 1/2	2 1/2	2 1/2
V302	8: 1	19,000Ω	13 MADC	V2	2 3/8 x 1 5/8	2 9/16	2 7/8	2 1/4	2 1/2
V303	10: 1	19,000Ω	13 MADC	V1	1 19/32 x 2	3 1/16	2 1/2	2 1/2	2 1/2
V304	10: 1	18,000Ω	10 MADC	V1	1 19/32 x 1 3/4	3 1/16	2 1/2	2 1/4	2
V305	10: 1	14,000Ω	15 MADC	V3	3 1/8	2 1/4	3 9/16	1 3/16	2
V306	44: 6: 1	11,250Ω	15 MADC	V1	1 19/32 x 1 7/8	3 1/16	2 1/2	2 3/8	2 1/4
V307	9: 1	11,000Ω	19 MADC	V3	3 1/8	2 1/4	3 3/4	3 1/4	1 1/2
V308	11: 1	15,000Ω	18 MADC	V3	2 13/16	2	3 1/4	1 1/4	1
V309	10: 1	13,000Ω	22 MADC	V3	2 13/16	2	3 1/4	2	1 1/4
V310	10: 1	18,000Ω	15 MADC	V3	3 1/2	2 1/2	4	2 1/4	2 1/2
V311	10: 1	18,000Ω	10 MADC	V1	1 19/32 x 1 5/8	3 1/16	2 1/2	2 1/8	2
V312	18: 1	27,500Ω	10 MADC	V3	3 1/8	2 1/4	3 3/4	3 1/4	1 1/2
V313	11: 4: 1	17,000Ω	20 MADC	V3	2 13/16	2	3 1/4	1 5/8	1
V314	6: 1	4,500Ω	38 MADC	V3	2 13/16	2	3 1/4	2	1
V315	15: 1	28,000Ω	15 MADC	V3	2 13/16	1 15/16	3 3/16	1 3/4	1

MANUFACTURER MODEL NUMBER AND CHASSIS	HORIZONTAL OUTPUT		DEFLECTION YOKE		WIDTH COIL LINEARITY COIL		VERTICAL OUTPUT VERTICAL BL. OSC.	
	MFRS. PART #	RAM #	MFRS. PART #	RAM #	MFRS. PART #	RAM #	MFRS. PART #	RAM #
ADMIRAL								
17XP3: T1801, 1802, 1806, 1807	79C60-4 79C60-5	X129 X129	94C74-6 94D74-5	Y90F19/43			79B43-4(0) 79B18-7(B)	V312 V405
18XP4BZ, EZ, FZ, GZ: T2301Z, T2302Z, T2326Z, T2327Z	79C60-3	X129	94D74-5	Y90F19/43			79B43-4(0) 79B18-7(B)	V312 V405
19A, B, C, D, E, F, G, H, J, K, L, M, N, R, S, T, W, Y: 17(U)DX, 10, 11, 12; 121(U)DX10, 11, 12, A, 16, A, L, 17, A; L; 221(U)DX15, A, L, 16, A, L, 17, A, L, 26, A, L, 38, A, L; 222DX15, S; 321(U)DX15, A, L, 16, A, L, 17, A, L, 25B, 26, B, 27B; C2215, C2216, C2217, C2236, C2237, C2246, C2526; CA2215Z, C2216Z, C2217Z, CA2236, CA2237, CA2246, CA2526; CU2215, CU2216, CU2217, CU2236, CU2237, CU2526; H(U)2216, 2217; K(U)2216, 2217, 2226, 2227; K(A)2216, 2217, 2226, 2227; L(A)(U)2215Z, 2216, 2217Z; T(A)(U)1811, 1812, 1822, 2211, A, 2212, 2215, 2216, 2217, 2218, 2219, 2222, 2226, 2242	79D41-1 79D52-2D	X102	94C51-1 94C54-4D	Y70F17	94A49-1(W) 94A49-3(W)D 94A50-1(L) 94A50-2(L)D	201R10	79B40-2(0) 79B43-3(0)D 79A18-4(R)	V313 V313 V405
20A1: 4H15A, B, 16A, 16B, 17A, 17B; 24A12; 24A125	79C19-2	X036	94B2-2	Y70F08	94A16(W) 94A3(L)	201R1A 201R3A	79B24(0) 79A18-1(B)	V304 V401
20B1: 4H18C, 18CN, 19C(N), 145A, B, C, CN, 147A, B, 155A, B, 156A, B, C, CN, 157A, B, 165A, B, 166A, B, C, CN, 167A, B, C, CN; 24C15, 16; 30F15, 15A, 16, 16A, 17, 17A	79C23	X036	94B2-2	Y70F08	94A16(W) 94A3(L)	201R1A 201R3A	79B24(0) 79A18-1(B)	V304 V401
20T1, V1: 14R12, 16; 24R12; 34R15, A, 16, A	79C32-1 79C36-1D	X071 X071	A3222	Y70F10/43	94A29-2(W) 94A28(L)	201R12 201R12	79B29-2(0) 79A18-3(B) 79A18-4(B)D	V313 V401 V405
20X1, Y1: 20X11, 12, 122, 125AN, 136, 145, 146, 147; 24X15, 15S, 16, 16S, 17S	79C28-1	X036	94B24-2	Y70F08	94A4-1(W) 94A3(L)	201R1A 201R3A	79B24-1(0) 79A18-1(B)	V309 V401
20Z1: 12X11, 12; 22X12, 25, 26, 27; 32X15, 16, 26, 27, 35, 36	79C23-3D 79C28-1D	X036 X036	94B2-1D 94B2-2D 94B24-1D 94B24-2D	Y70F08 Y70F08 Y70F08 Y70F08	94A4-1(W) 94A3(L)	201R1A 201R3A	79B24-1(0) 79A18-1(B)	V309 V401

MANUFACTURER MODEL NUMBER AND CHASSIS	HORIZONTAL OUTPUT		DEFLECTION YOKE		WIDTH COIL W LINEARITY COIL L		VERTICAL OUTPUT (O) VERTICAL BL. OSC. (B)	
	MFRS. PART #	RAM #	MFRS. PART #	RAM #	MFRS. PART #	RAM #	MFRS. PART #	RAM #
ADMIRAL (Cont'd)								
21A1; 4H15A, B, 16A, B, 17A, B; 24A12; 24A125	79C17-2	X077	94B2-2	Y70F08	94A19(W) 94A3(L)	201R11 201R3A	79B24(O) 79A18-1(B)	V304 V401
20A2, DZ, L2, Z: C2216, A2, C2236, A, CA2236, A, F2226, FA2226, K2216, 4, 17, 17A, T2216, A, 17, A, TA2216, A, 17, A	79D41-2	X102	94C51-1	Y70F17	94A49-2(W) 94A50-1(L)	201R15	79B40-2(O) 79A18-5(B)	V313 V405
21A3Z, AZ, 21B3Z, 21C3Z, 21D3Z, 21E3Z, 21H3Z: C(A) 2316Z, C(A) 2317Z, C(A) 2326Z, C(A) 2327Z, C(A) 2B26Z, C(A) 2B27Z, F(A) 2326Z, F(A) 2327Z, F(A) 2328Z, L(A) 2326Z, L(A) 2327Z, T(A) 2311Z, T(A) 2317Z, T(A) 2316Z, T(A) 2317Z, T(A) 2318Z	79C60-2	X129	94C74-3	Y90F19/43	94A49-4(W) 94A50-2(L)	201R15D	79F43-5(O) 79A18-4(B)	V307 V405
21B1, C1, F1, G1, H1, J1, K1, L1, P1, Q1: 16R11, 12; 17K11, 12; 26R12, 25A, 26A, 35A, 36A, 37A; 27K12, 15, 16, 17, 25, 26, 27, 35, 36, 46; 29X25A, 26A; 36R37, 45, 46; 37K15, 16, 27, 28, 35, 36; 39X17G, 25A, 26A, 35, 36; 22K16, A, 26, 28, 35, 36; 320R17, 25, 26; 32K15, 16, 18, 27, 35, 36	79C30-2	X072	A3178D A3197D A3222D A3412D 94C30-3D	Y70F10/43 Y70F10/43 Y70F10/43 Y70F10/43 Y70F10/43	94A29-2(W) 94A28(L)	201R12 201R12	79B29-1(O) 79B40-1(O)D	V313 V313
21D1, E1: 26A55A, 56, 57, 65, 66, 67, 75, 76, A; 36X36S, AS	79C30-3	X071	A3178D A3197D A3222D	Y70F10/43 Y70F10/43 Y70F10/43	94A29-2(W) 94A28(L)	201R12 201R12	79B23-1(O) 79A18-2(B)	V313 V403
21M1, N1: 121M11, 12; 121K15, 16, 17	79C30-4	X072	94C30-3	Y70F10/43	94A29-1(W) 94A28(L)	201R12 201R12	79B40-1(O) 79A18-4(B)	V313 V405
21W1, Y1: 21K15, 16, 17; 47M15, 16, 17; 221K45, 46, 47; 321F65, 66, 67; 321K65, 66, 67; 321M25, 26, 27; 421M15, 16; 521M15, 16, 17	79C30-4	X072	A3178D A3197D 94C30-1D 94C30-1D	Y70F10/43 Y70F10/43 Y70F10/43 Y70F10/43	94A29-1(W)D 94A29-1(W)D 94A28(L)	201R12 201R12 201R12	79B39-1(O) 79A18-4(B)	V313 V405
21X1, X2, Z1, Z1A: 27M12, 16; 37M25, 26, 27; 47M15A, 35, 36, 37; 57M10, 11, 12, 16, 17	79C30-4	X072	A3178D A3197D A3222 94C30-1D 94C30-3D	Y70F10/43 Y70F10/43 Y70F10/43 Y70F10/43 Y70F10/43	94A29-1(W)D 94A29-1(W)D 94A28(L)	201R12 201R12 201R12	79B39-1(O)D 79B40-1(O)D 79A18-4(B)	V313 V313 V405
22A2, A2A, H1, Y1: 121K15A, 16A, 17A; 121M10, 11A, 12A; 221K45A, 46A, 47A; 321M25A, 26A, 27A; 421M15A, 16A, 35, 36, 37; 521M15A, 16A, 17A; 520M11, 12, 15, 16, 17	79C30-4 79D38-1D 79C38-1D	X072 X071 X071	94C30-1D 94C30-3D	Y70F10/43 Y70F10/43	94A39-1(W) 94A28(L)	201R12 201R12	79B39-1(O)D 79B40-1(O)D 79A18-4(B)	V313 V313 V405
22A3, Z, AZ, 22B3, Z, A7, 22F2, Z, 22G2, Z, 22H2, 22M2, 22P2, 22R2, 23A1: 122(O)DX12, 222DX15, B, S, 16; B, 17, B, 27, B, 23A1; 22BDX17, 18; 322(U)CX16, A; C(U) 225, Z, C(U) 2226, Z, C(U) 2227, Z; F(U) 2216, Z, F(U) 2217, Z, F(U) 2218, Z; T(U) 2232, Z, T(U) 2236, Z, T(U) 2237, Z, T(U) 2239, Z	79D41-2 79D44-XD	X102	94C51-1 94D54-XD	Y70F18/43 Y90F12/47	94A49-2(W) 94A50-1(L) 94A56-1(W) 94A55-1(L)D	201R15 201R15	79B40-3(O) 79A18-5(B) 79B43-1(O) 79A18-4(B)	V313 V405 V313 V405
22C2, E2: 222DX15, 15A, 15S, 16, 16A, 17, 17A, 26, 26A, 27, 27A, 4B, 48A, 49, 49A; 222DX16, 17; 322DX16, 16A	79C38-1	X071	94C30-1	Y70F10/43	94A39-1(W) 94A28(L)	201R12 201R12	79B40-1(O) 79A18-4(B)	V313 V405
23BIAZ, CIAZ, EIAZ, FIZ, FIZ: C(U) 2516Z, C(U) 2517Z, H(U) 2516Z, F(U) 2817Z, H(U) 2816Z	79D48-1		94D74-2 94D74-1	Y90F19/43 Y90F19/43	94A49-3(W) 94A50-2(L)	201R15D	79B43-2(O) 79A18-5(B)	V313
24D1, E1, F1, G1, H1: 26R25, 26, 35, 37; 26X35, 36, 37, 45, 46, 55, 56, 57, 65, 66, 67, 76; 29X15, 16, 17, 25, 26, 27; 36X35, 35A, 36, 36A, 37, 37A; 39X16, 16A, 16B, 17A, 17B, 25, 26	79C30-1	X071	A3178D AS3197D A3222D	Y70F10/43 Y70F10/43 Y70F10/43	94A29(W) 94A29-1(W)D 94A28(L)	201R12 201R12 201R12	79B29(O) 79A18-2(B)	V313 V403
30A1, B1, C1, CI-SB, D1: 4H15S, 15SN, 16S(N), 17S(N), 18S(N), 19S(N), 115S(N), 116S(N), 117S(N), 126S(N), 137S(N), 145S(N), 146S(N), 147S(N), 155S(N), 156S(N), 157S(N), 165S(N), 166S(N), 167S(N); 8C11, 12, 13; 30A12, 13, 14, 14SA, 15, 15SA, 16; 30B15S(N), 16S(N), 17S(N); 30C15S(N), 16S(N), 17S(N)	79C17-1D 79C19-2D 79C23-2D 79B7	X077 X036 X036 X036	94B2-1 94B2-2D	Y70F08 Y70F08	94A4(W) 94A12(W)D 94A3(L) 94A11(L)D	201R1A 201R1A 201R3A 201R3A	79B6(O)	V303

ⓐ Alternate ⓑ Late Models ⓒ Early Models ⓓ 12" CRT ⓔ For 16", 17" Rect. CRT ⓕ For 16" (Round) CRT ⓖ For 17", 21" CRT Mounted on Cabinet Top ⓗ For 19" (Round) CRT ⓘ For 19", 20" CRT Mounted on Cabinet Side ⓘ For 20" Rectangular CRT ⓙ For Sets Using 6BQ6 H. Output ⓚ For Sets Using 6CD6 H. Output ⓛ Two-Terminal coil Used in Early Models ⓜ Three-Terminal coil Used in Late Models ⓞ For 16", 17", 20" Rect. CRT Mounted on Chassis ⓟ Chassis 30A1, B1, D1 ⓠ Chassis 30C1 ⓡ Chassis 30CI-SB ⓢ Remove 1.8A Series Resistor - Pin #2 of 1B3 Rectifier. ⓣ Ch. 23A1 ⓤ For 24-Inch Sets ⓖ Use Original Slider and Mtg. Bracket

MANUFACTURER MODEL NUMBER AND CHASSIS	HORIZONTAL OUTPUT		DEFLECTION YOKE		WIDTH COIL (W) LINEARITY COIL (L)		VERTICAL OUTPUT (O) VERTICAL BL. OSC. (B)	
	MFRS. PART #	RAM #	MFRS. PART #	RAM #	MFRS. PART #	RAM #	MFRS. PART #	RAM #
AIMCEE 520, 620, 5820, A, 6120, 7120, 7820	80-265	X0500	83-669	Y70F08/43	10-551(W) 10-561(L)	201R10 201R10	80-261(O) 80-257(B)	V309 V403
20C2B, CD2B, T2B; 111, 112, 416, 717T, 7171; 720, 724, 820, 824, 920, 924, 2400, 5221, 8120, 8820, 9120, B, 9121, 9820, B, 9821, 9921	80-265-20	X0500	83-669-1	Y70F08/43	10-575(W) 10-561(L)	101R1A 201R30	80-261(O) 80-257(B)	V309 V403
20T2B, 20C2B, 20CD2B, 21CD2A, 21C2A, 5221, 112, 111	80-265-20	X0500	10-601	Y70F08/43	10-575(W) 10-561(L)	201R1A 201R10	80-261(O) 80-257(B)	V309 V403
TA, TD; 1C23, 1C72, 1T71	TR-2293 TR-2293-1	X066 X066	CL2087-1	Y70F08/43	CL1502(W) CL1503(L)	201R1A 201R3A	TR-2189(O) TR-1473(B)	V305 V401
540M21, 54CL021, 54TW21	80-270	X080	10-610	Y70F25	10-604(W)	201R13A	80-268(O) 80-258(B)	V302 V405
1024	80-267	X094	10-602	Y90F12/47				

Ⓢ Bend Mounting Flange at Right Angles for Upright Mount

Ⓢ Pin #8 Equiv. to #9 of AIMCEE Flyback; Pin #9 Equiv. to #8 of AIMCEE Flyback

AIRCATTLE (SPIEGEL) 10T, 12C, T, 16C, T, 17, 312, 316, 412, 416, 29-C; 472-10T, -12C, -12T, -14C, -14T, -14CE, -14TE, -16C, -16T, -16CE, -16TE, -17C, -17TE, -29C, CB, -29CE, -312, -316, E, -317, -412, -416, E	12F-345 12F-598 12F-450	X036 X036	13M-347 Ⓢ	Y70F08 Y70F10/43	13W-348(W) Ⓢ	201R1A 201R13A	12C-351(O)	V309
114G, H, 116, 117G, H, 120G, H; 472-1400C, T, -1700C, T, -2000C, T, -27T, -3170, -4170, -17XUT, .1, .2, .3, -20XUC, -20XUT, .1, .2	B1675-13A	X047	B1452-9	Y70F08	A1486-10(W)	201R1A	A1652-13(O)	V305
317A, B, C, 320A, 321A, B, D, 324A; 472-17XUCM, .2, .3, .4, .5, -M1XUC, -17XUT, .4, .5, .6, .7, .8, -21XUCM, .1, -21XUCO, .1, .2, -21XUT, .1, .2, -217C, .1, -217T, .1, -221XC, -221XT, .1	C1677-13A	X075	B1452-9	Y70F08	A1486-10(W)	201R1A	B1662-13(O) A1661-13(B)	V308
X8-702, XL-750, XM-752, XP-775, XT-785, XS-786	T0-10020	X036	T0-10026	Y70F08	T0-10023(W) T0-10024(L)	201R1A 201R3A	T0-10021(O) T0-10022(B)	V301 V401

Ⓢ Sets Using 14-Inch CRT Ⓢ Sets Using 16-Inch CRT Ⓢ Sets Using 10,12-Inch CRT Ⓢ Sets Using 14,-16,-17-Inch CRT

AIREX 630-DXC, DX24C, K3C, K24C	MFRS. PART #	RAM #	MFRS. PART #	RAM #	MFRS. PART #	RAM #	MFRS. PART #	RAM #
	ET106	ET106	EL112D EL138	Y70F08 Y70F10	EL127(W) EL126(L)	201R12 201R5A	ET103(O) ET102(B)	V310 V405
630FA-2	T-6	X074	DC-2	Y70F14	LW-1(W) LL-1(L)	201R5A 201R12	T-4(O) T-3(B)	V405
3930V	LD-112	X065	LD-173	Y70F14	LD-141(W) LD-160(L)	201R5A 201R15	LD-103(O)	V304
AIRLINE BR-4000A, -4001A, -4003A, -4005A	MFRS. PART #	RAM #	MFRS. PART #	RAM #	MFRS. PART #	RAM #	MFRS. PART #	RAM #
	12E-2393	X126	201-23744 13M-23755	Y70F08/43 Y70F08/43			12E-23726(O)	V310
GSE-4004A, -4006A, -4104A; 632-3094B	20E995	X123	AD158426-1,-2	Y90F19/43			22E97(O) B155255-3-1(B)	
GSE-5001A, -5004A, -5101A, -5104A	20E497	X110	20E788-5	Y70F25/3	20E952(W)		22E72-2(O) 22E89(B)	V306 V405
GSL-3064D, -3063D, -3164D, -3183D	N-8936	X112	N-8930	Y70F25/3			N-8937(O) N-9002(B)	V405
WG-3071, E, F, -3073E, F, -3075D, E, -3077D, E, -3079D, E, -3180A, -3190A; 35WG-3060B, -3070B, -3175A, -3177A, -3179A, -3080A, -3090A	53X330	X110	9A2274 9A2288	Y70F14/43 Y70F14/43	9A2183(W) 9A2262(L)	201R10 201R15	51X156(O) 54X8(B)	V312 V402
WG-3075D, E, -3077D, E, -3079D, E; 35WG-3080A, -3090A	53X330	X110	9A2274	Y70F14/43	9A2183(W) 9A2262(L)	201R1A 201R15	51X156(O) 54X8(B)	V312 V402
WG-5000A, -5100A	53X342	X110	9A2334-3	Y70F14			51X168(O) 54X10(B)	V312 V405
WG-5002A	53X330 53X346	X110 X110	9A2334-1	Y70F14	9A2183(W) 9A2262(L)	201R10 201R15	51X168(O) 54X10(B)	V312 V405

MANUFACTURER MODEL NUMBER AND CHASSIS	HORIZONTAL OUTPUT		DEFLECTION YOKE		WIDTH COIL (W) LINEARITY COIL (L)		VERTICAL OUTPUT (O) VERTICAL BL. OSC. (B)	
	MFRS. PART #	RAM #	MFRS. PART #	RAM #	MFRS. PART #	RAM #	MFRS. PART #	RAM #
AIRLINE (Cont'd) 05BR-3021C, -3024C, -3027B	12M-18689-2	X108	13M-19488	Y70F08	13M-18233(W) 13M-18961(L)	201R1A 201R5A	12C-17303(O) 12M-18241(B)	V305 V405
05BR-3034A	12M-19408 12M-19190	X109 X109	201-19490	Y70F08	13M-18233(W) 13M-19499(L)	201R1A 201R17	12C-19048(O) 12M-18241(B)	V313 V405
05BR-3040A, -3044A	12M-19407, -1, -2 201-18843	X109 X050	13M-18888	Y70F08	13M-18233(W) 13M-19320(L)	201R1A 201R5A	12C-19048(O) 12M-18241(B)	V313 V405
05BR-3041A; 15BR-3041A	201-18843 201-19269 201-19533, -1	X050 X050 X109	13M-19254	Y70F08	13M-18233(W) 16M-18623(L)	201R1A 201R3A	12C-17303(O) 12C-19048(O) 12M-18241(B)	V305 V313 V405
05GCB-3019A; 16K1/63-3019; 94GCB-3023A, B, C	C9.236 C9.240-1	X036 X036	C9.209 C9.242	Y70F08 Y70F10	C1.458(W) C1.459(L)	201R1A 201R3A	C9.228-3(O) C9.230-2(B)	V305 V402
05GSE-3020A, -3042A	22E57, -2, -3	X066	30E164	Y70F08	20E415(W) 20E639(W) 20E524(L)	201R1A 201R1A 201R3A	22E51(O) 22E55(B)	V308 V401
05WG-3030A, -3031A	53X303 53X303D		9A2080 9A2106D	Y70F12 Y70F08	9A2075(W) 9A1976(W)	201R4 201R1A	51X147(O) 54X5(B)	V307 V402
05WG-3030B, -3032A, B, -3036A, B, C, -3039A, B, C, D	53X315	X050	9A2149	Y70F10/43	9A1976(W) 9A2111(L)	201R1A 201R3A	51X149(O) 54X5(B)	V313 V402
05WG-3031B	53X307	X050	9A2106	Y70F08	9A1976(W)	201R1A	51X147(O) 54X5(B)	V307 V402
05WG-3038A	53X315	X050	9A2149 9A2106	Y70F10/43 Y70F08	9A1976(W) 9A2111(L)	201R1A 201R3A	51X149(O) 54X5(B)	V313 V402
15BR-3035A, -3039A, -3047A, -3053A, B, -3048A, B	201-19817, -1, -2, -3	X109	201-19490, -1	Y70F08	13M-18233(W) 13M-19499(L) 201-20186(L)	201R1A 201R17 201R5A	12C-19048(O) 12M-18241(B)	V313 V405
15BR-3048A; 25BR-3048B, -3055B	201-19817, -1, -3	X109	201-19490, -1	Y70F08	13M-18233(W) 201-20186(L)	201R1A 201R5A	12C-19048(O) 12M-18241(B)	V313 V405
15BR-3054A	201-19999-1 201-19874	X110 X110	201-19947-1	Y70F10/43	13M-18233(W) 201-20186-1(L)	201R1A 201R5A	12C-19849(O) 12M-18241-1(B)	V308 V405
15GSE-3047A, B, C, -3052A	22E61-2, -3	X066	30E164, -3	Y70F08	20E639(W) 20E524(L)	201R1A 201R3A	22E51(O) 22E55(B)	V308 V401
15WG-3046B, C, -3051B, C	53X320	X110	9A2195 9A2193D	Y70F14/43 Y70F14/43	9A2183(W) 9A2172(L)	201R1A 201R12	51X151(O) 54X7(B)	V305 V402
15WG-3049A, B, -3059A; 25WG-3049B, -3059A	53X319	X110	9A2194	Y70F14/43	9A2183(W) 9A2172(L)	201R1A 201R12	51X151(O) 54X7(B)	V305 V402
15WG-3050A, B	53X320	X110	9A2193	Y70F14/43	9A2183(W) 9A2172(L)	201R1A 201R12	51X151(O) 54X7(B)	V305 V402
25BR-3058A, B, -3061A, B, -3067A, B, C, -3071C, D, -3072C, -3073C, D, -3075A, B, D, E, -3077A, B, D, E, -3079A, B, D, E	201-21025, -1	X111	201-21514 201-21130D	Y70F08 Y70F08			12C-20761-1(O) 12M-18241-3(B)	V312 V405
25GSE-3057A, 3065A	22E67	X066	30E164, -5, -7	Y70F08/43	20E685(W) 20E688(L)	201R1A 201R3A	22E63(O) 22E55-2(B)	V313 V401
25GSE-3062A, -3063A, -3081A	22E75		20E788-2	Y70F25/3			22E72(O) 22E70(B)	V306 V405
25GSE-3065A	22E67	X066	30E164-7	Y70F08/43	20E685(W) 20E688(L)	201R1A 201R3A	22E63(O) 22E55-2(B)	V313 V401
25WG-3056A	53X326	X110	9A2261	Y70F14	9A2183(W) 9A2262(L)	201R4D 201R15	51X156(O) 54X8(B)	V312 V405
25WG-3060A, B, C, -3066C, -3070A, B, -3071C, D, -3072C, -3073C, D, -3075A, B, D, E, -3077A, B, D, E, -3079A, B, D, E	53X330D 53X326	X110 X110	9A2274 9A2288D	Y70F14/43 Y70F14/43	9A2183(W) 9A2262(L)	201R1A 201R15	51X159(O) 54X8(B)	V310 V402
35GSE-3076A, -3078A, B, -3095A, B, -3097A; GSE-3176A, B	22E75		20E788-2	Y70F25/3			22E72(O) 22E70(B)	V306 V405
35GSL-3064A, B, -3083A, B; GSL-3164A, B, -3183A, B	N-8936	X112	N-8930	Y70F25/3			N-8937(O) N-9002(B)	V306 V405
84HA-3007A, B, C	55C113	X036	53B140	Y70F08	51B1072(W) 51B1071(L)	201R1A 201R3A	55C114(O) 55B115(B)	V301 V405
84HA-3010A, B, C	55C117	X036			51B1072(W) 9A2172(L)	201R1A 201R12	55C114(O) 55B115(B)	V301 V405
94BR-3021A, B, -3024A, B, -3027A	12M-18285D 12M-18689-1, -2D 201-18530D 201-18562, -1D	X107 X108 X108 X108	13M-13590	Y70F08	13M-18233(W) 13M-18961(L)	201R1A 201R5A	12C-17303(O) 12M-18241(B)	V305 V405
94GSE-3025A, -3033A	22E42	X036	30E141-2	Y70F08	20E415(W) 20E410(L)	201R1A 201R3A	22E39(O) 22E38(B)	V305 V405

MANUFACTURER MODEL NUMBER AND CHASSIS	HORIZONTAL OUTPUT		DEFLECTION YOKE		WIDTH COIL (W) LINEARITY COIL (L)		VERTICAL OUTPUT (O) VERTICAL BL. D.S.C. (B)	
	MFRS. PART #	RAM #	MFRS. PART #	RAM #	MFRS. PART #	RAM #	MFRS. PART #	RAM #
AIRLINE (Cont'd) 94WG-3008A, -3016A, E, C, -3006A	53X296	X066	9A1987	Y70F08	9A1976(W) 9A1981(L)	201R1A 201R3A	51X140(O) 54X4(B)	V301 V401
94WG-3022A, -3026A, -3029A	53X296	X066	9A2048	Y70F08	9A1976(W) 9A1981(L)	201R1A 201R3A	51X140(O) 54X4(B)	V301 V401
94WG-3026B, -3029B	53X299	X066	9A2048	Y70F08	9A1976(W) 9A2082(L)	201R1A 201R5A	51X145(O) 54X6(B)	V301 V401
94WG-3028A	53X296	X066	9A2048	Y70F08	9A1976(W) 9A1981(L)	201R1A 201R3A	51X140(O) 54X4(B)	V301 V401

Ⓢ Ch. 3046C, 3049C Ⓢ Ch. 3071D, 3073D, 4109C Ⓢ Mod. 05GSE-3042A Ⓢ Mod. 05WG-3031A Ⓢ Code 13; Group Nos. 14, 200 and up;
 05BR-3021B, -3024B, -3027A Ⓢ 17-Inch Sets Ⓢ Connect as Auto Transformer Ⓢ Code 11 Ⓢ Code 1 Thru 9 Ⓢ Supercedes 53X326
 Ⓢ Use original Slider and Core

ALDENS 114G, 116G, 117G, 120G	MFRS. PART #	RAM #	MFRS. PART #	RAM #	MFRS. PART #	RAM #	MFRS. PART #	RAM #
	B-1675-13	X047	B-1450-9 B-1452-9	Y70F08 Y70F08	A-1486-10(W)	201R1A	A-1652-13(O)	V305 [Ⓢ]
ALTEC-LANSING ALC-205, -206		X077		Y70F10/43		201R4 201R12	(O)	V305
ANDREA C-VJ12, CO-VJ12, T-VJ12	MFRS. PART #	RAM #	MFRS. PART #	RAM #	MFRS. PART #	RAM #	MFRS. PART #	RAM #
	ST-3009	X077	ST-3013	Y70F08			ST-3010(O) ST-3012(B)	V301 V405
CO-VJ12-2, CO-VJ12-2, CO-VJ15, 800-VJ15	ST-3015	X077	ST-3013	Y70F08			ST-3010(O) ST-3012(B)	V301 V405
VK12, VK1516: BT-VK12, CO-VK15, CO-VK16, CO-VK125, C-VK19, C-VK126, TVK12, TVK-127B, TVK-127M	ST-3009 ST-3018 [Ⓢ] ST-3027 [Ⓢ]	X077 X036 X077	ST-3013 ST-3028	Y70F08 Y70F10/43	SA-314(W) [Ⓢ] SA-326(W) [Ⓢ] SA-315(L) [Ⓢ] SA-223(L) [Ⓢ]	201R1A 201R4 201R3A 201R5A	ST-3010(O) ST-3030(O) ST-3020(B)	V301 V305 [Ⓢ] V402
VL16, VL19: CO-VL16, CVL-16, TVL-16, CO-LV19, TVL-12, VL-12	ST-3036	X036	ST-3037	Y70F08	SA-339(W) SA-340(L)	201R13A 201R12	ST-3025-1(O) ST-3029(B)	V305 V402
VL17: CVL-17, TVL-17, 2C-VL17	ST-3042	X074	ST-3043	Y70F14/43	SA-346(W) SA-340(L)	201R15 201R12	ST-3040(O) ST-3029(B)	V312 V402
VL20: 2C-VL20	ST-3050	X069	ST-3049 ST-3044	Y70F14/43 Y70F14/43	SA-346(W) SA-340(L)	201R15 201R12	ST-3040(O) ST-3029(B)	V312 V402
W21: TVM21, CVM21, 2CVM21, C2VM21	ST-3051	X080	ST-3049	Y70F14/43	SA-361(W)	201R16	ST-3040-1(O) ST-3029(B)	V312 V402
W21: TVM21, CVM21, 2CVM21	ST-3056	X080	ST-3049	Y70F14/43	SA-366(W)	201R16	ST-3058(O) ST-3057(B)	V312 V402

Ⓢ Ch. VK12 Ⓢ Mod. CVK19, CO-VK16 Late

ARTONE ARMST12, 14, 16, ARTV10C, X, ARTV12X, AR112X	MFRS. PART #	RAM #	MFRS. PART #	RAM #	MFRS. PART #	RAM #	MFRS. PART #	RAM #
	Z11T3	X036	DY-2	Y70F08	L201R1(W) L201R3(L)	201R1A 201R3A	T107(O) T104(B)	V303 V405
MST12, MST14, 14TR, 16TR, 17CD, 17CRR, 17ROG, 20CD, 20TR, 112X, 203D, 312, 819, 3163CR, 8163CR, 8193CM, AR14-TR, AR16- CR, -RO, -TR, AR17-CD, -CR, -RO, -3D	T-111	X045	DY-6	Y70F14/43	L-M77J4-3(W) L-M77J-4(L)	201R14 201R10	T-112(O) T-104(B)	V305 V405
AR14LG, P, AR17LG, AR17LG-3DG, -CDG, -CD, -CRR, -CRG, -P, ROG, AR20CDG, 3DG, CRG, TRG, 203D, 1000, 1001	T-118	X045	DY-10	Y70F14/43	L-M77J4-3(W) L-M77J-4(L)	201R14 201R10	T-116(O)	V305
ARC21, ARC71, ARD21, AR21, AR71	T-124A	X045	DY-12M	Y70F14/43	L-M77J4-3(W) L-M77J-4(L)	201R14 201R10	T-116, A, B(O)	V305
AR-23TV-1, -2, -3	55C113	X036	53B140	Y70F08	51B1072(W) 51B1071(L)	201R1A 201R3A	55B114(O) 55B115(B)	V301 V405
TWJ SERIES: 74, 75, B, 76, C75, B, D73X, D72XB, 11L, 12, B, 13, C14, B, D110, D168, XB, D19, D17B, X, D18M, C42, C43, D43, D42B, D29	T-124A	X045	DY-12M	Y70F14/43	L-M77J4-3(W) L-M77J-4(L)	201R14 201R10	T-116, B(O)	V305
ARVIN TE-272-1, -2: 3100TB, TM, 3101CM, 3120TM, 3121TM	MFRS. PART #	RAM #	MFRS. PART #	RAM #	MFRS. PART #	RAM #	MFRS. PART #	RAM #
	22564	X036	22575	Y70F08	22559(W) 22562(L)	201R1A 201R10	22567(O) 22446(B)	V308 V402
TE-276: 3160CM	22808	X077	22575	Y70F08	22559(W) 22562(L)	201R1A 201R10	22905(O) 22446(B)	V313 V402
TE-282: 4080T,	23089	X121	23085	Y70F17			22905(O)	V313

MANUFACTURER MODEL NUMBER AND CHASSIS	HORIZONTAL OUTPUT		DEFLECTION YOKE		WIDTH COIL W LINEARITY COIL L		VERTICAL OUTPUT VERTICAL BL. OSC. B	
	MFRS. PART #	RAM #	MFRS. PART #	RAM #	MFRS. PART #	RAM #	MFRS. PART #	RAM #
ARVIN (Cont'd) TE-286: 4162CM	24127	X045	23817-1	Y70F14/43	23801(W) 23800(L)	201R14 201R15	23657(0)	V308
TE-289, -2, -3: 2120CM, 2121TM, 2122TM, 2123TM, 2124CCM, 2126CM	23089	X121	23085	Y70F17	22562(W)	201R10	22905-1(0) 22446-2(B)	V313 V402
TE-290: 2160, 2161, 2162, 2164	23802-1	X051	23817 24283(D)	Y70F14/43 Y70F18/43	23894(W)	201R10	23657(0) 22446-2(B)	V308 V402
TE-300, -302: 5170CB, CM, 5171TB, TM, 5172CB, CM, 5173TM, 5204CM, 5206CB, CM	24681	X045	24807	Y70F20/43	24655(W) 24754(L)	201R14 201R12	23657(0) 22446-1(B)	V308 V402
TE-315: 5240CB, CM, 5211TB, TM, 5212CFP, 5214, 5216, 5218	24989	X074	25005	Y70F14/43	24991(W)	201R14	24990(0) 22446-1(B)	V312 V402
TE-318, -320-1, -334, -339: 5175, 5176, 5213TM, 3181, 5218	24989	X074	24807	Y70F20/43	24991(W) 24734(L)C	201R14 201R12	24990, -1, -2(0) 22446-1(B)	V312 V402
TE-319, -1, -330, -1, -3, -6, -7, -30, -61, -331, -1, -2, -3, -4, -5, -332, -1, -2, -3, -4, -5: 6175TM, TMA, 6179TM, 6213TB, TM, 6215CB, CM, 8171TM, 8179TM, 8211TB, TM, 8213TM, TMA, 8215CB; CBA, CM, CMA, 8218CB, CM	24989	X074	24807	Y70F20/43	40027(W)D	201R14	24990, -1, -2(0) 22446-1(B)	V312 V402
TE-320, -328: 5175, 5176	24681	X045	24807	Y70F20/43	24655(W) 24754(L)	201R14 201R12	23657(0) 22446-1(B)	V308 V402
TE-337, -1, -2, -3, -341, -1, -2, -3: 7210CB, CM, MEA, 7214CM, 7216CB, 7218CB, CM, 7219CM, 7212CR	40117	X074 D	24807	Y70F20/43	40098(W) 40028(L)	201R14 201R12	24990-2(0) 22446-1(B)	V312 V402
TE-340, -2, -3: 7276CB, CM, 7297	40513	X094	40537		40532(W) 40533(L)	201R14 201R15	40470, -1(0) 22446-1(B)	V305 V402
TE-355, -362: 9211, 9213, 9215	41802		24807	Y70F20/43	41020(W) 40533(L)	201R16 201R15	22446-2(0) 41745-1(B)	V302 V405
TE-358, -2, -3, -363, -1, -2, -3: 9210, 9212, 9216, 9218, 9219	41024		24807	Y70F20/43	41020(W) 40533(L)	201R16 201R15	41023-2(0) 22446-3(B)	V302 V402
TE-359, -1, -364-1: 9240	40513	X094	40537	Y90F12/47	40532(W) 40533(L)	201R14 201R15	41092-2(0) 22446-3(B)	V302 V402
TE-373: 9245	41803	X094	40537	Y90F12/47	40532(W) 40533(L)	201R14 201R15	41092-2(0) 41745-1(B)	V302 V405
379, D, 382: 21-550, 551, 552, 553	41852	X080	42504	Y90F12/47	41884(W) 41887(L)	201R16 201R15	41984-1(0) 41745-1(B)	V302 V405
383, E: 21-554, 555, 557	42721	X080	42720	Y70F20			42756-1(0) 42766-1(B)	V314 V405
386: 21-554, -555, -557								

ⓐ Alternate ⓑ Use 201R14 Sec. for AGC

ATLANTIC VIDEO	ET-106 CS-27D		ET-M6	EL-173D EL-112D 90CF11/41D EL-138C	Y70F20/43 Y70F08 Y70F10	EL-181(W)D EL-120(W)C EL-127(W)C EL-126(L)C EL-160(L)D	201R14 201R5A 201R12 201R5A 201R15	ET-103(0)C ET-110(0)D ET-102(B)C ET-115(B)D	V310 V309 V405 V405
530, 630: 521PM, 621CM, 721DCM, X21SM, A24TM, X24SM, 927TM, X27SM, 1127CM, 1230TM, X30SM									

ⓐ 27 and 30-Inch Sets ⓑ 530 Chassis ⓒ 630 Chassis

AUTOMATIC	MFRS. PART #	RAM #	MFRS. PART #	RAM #	MFRS. PART #	RAM #	MFRS. PART #	RAM #
TV-1205, -1249, -1250, -1294, -1605, -1615, -1649, -1650, -1651, -1694, -5001, -5006, -5111, -5112, -5601, -5077	GE-77J1	X045	OY-12 GE-77J2D (Y)D	Y70F14/43 Y70F10/43	(W)(W) HL-10(L)	201R14	NE-664-6(0) NE-647-P(0) LA-449(B) NE-618A(B)D	V403
TV-5020, -5116R, -5160, -5217, -5320	GE-77J1	X045	J70-14	Y70F14/43	(W)(W) HL-10(L)	201R14	NE-664-S(0) LA-449(B)	

ⓐ Mod. TV-1649, -1650, -1651 ⓑ Sets Using 16DPN CRT

BELL	MFRS. PART #	RAM #	MFRS. PART #	RAM #	MFRS. PART #	RAM #	MFRS. PART #	RAM #
160D, T, TD; 19T, DD, TD; 1502, 1503; 2002, 2003	T109	X036	C181	Y70F08	L196(W) L201(L)	201R1A 201R3A	T107(0) T106(B)	V301 V401
1930: 1901, 219TA, CA, DA	T77J1	X045	1D1	Y70F08		201R10 201R10	T12(0) T8T2(B)	V301 V405
R920, 926	TJ1	X074	LD14, 211	Y70F14/43	L1R4-E(W) L1R4J(L)	201R14 201R10	T4T2(0) T8T2(B)	V301 V405
5220, 1930RC	T25T1	X074	LD211	Y70F14/43	L310(W) L9R1(L)	201R15 201R12	TW04(0) T8T2(B)	V310 V405
2430-9	T35T1	X094	LD219		L310-A(W) L310(L)	201R12 201R15	TW05(0) T8T2(B)	V405

MANUFACTURER MODEL NUMBER AND CHASSIS	HORIZONTAL OUTPUT		DEFLECTION YOKE		WIDTH COIL (W) LINEARITY COIL (L)		VERTICAL OUTPUT (O) VERTICAL BL. OSC. (B)	
	MFRS. PART #	RAM #	MFRS. PART #	RAM #	MFRS. PART #	RAM #	MFRS. PART #	RAM #
BENDIX								
235B1, 235M1, 235MB	TS0H01 (251305-1)		LC0D00	Y70F08	LC0N00(W) LC0L00(L)	201R1A 201R3A	TS0V00(O) T00V00(B)	V301 V401
T171, C172, C182, C200, 17K2, 20K2, 20L2	TS0H05 (265603-2) TS0H04 (265083-1)		LC0D06	Y70F10	LC0W01(W) LC0L01(L)	201R10 201R10	TS0V03(O)	V305
2001, 2002, 2030, 2031, 3001, 3002, 2020, 2021, 3030, 3031	TS0H02 (265068-1)		LC0D00 LC0D02	Y70F08 Y70F08			TS0V01(O) TS0V02(O)	V305 V305
2025, 3033, 6002	TS0H03 (265078-3)		LC0D03 LC0D04	Y70F10 Y70F10			TS0V02(O)	V305
2051, 2060, 2070, 3051, 6001, 6008, 6100, 6920, 6990, 2075, 7001	TS0H03 (265078-3)		LC0D05	Y70F10			TS0V02(O)	V305
T14-3, T14-10, T14-11: FM27C, HB27C, TM24DS, FM27C, HB27C, TB24DS, TM24DU, TB24DU	265075-1		265074-1		259114-3(W) 259082-2(L)	201R15 201R15	265089-1(O) 265054-2(B)	V308 V401
T14-6, T14-6, T14-7, T14-9, T14-13: FB21C, CU, FM21C, CU, HB21C, CU, HM21C, CU, KB21C, CS, CU, KM21CS, CU, TB21CS, CU, TM21CS, CU, RM21C, RB21C, KB21CB, KM21CB, TB21CB, TM21CB, KM17DB, TM17DB	265086-1		265077-1	Y70F17	259114-1(W) 259082-6(L)	201R13A 201R15	265072-5(O)	V305
T14-15, T14-16:	265086-4		265077-2	Y70F17	259114-1(W) 259082-6(L)	201R13A 201R3A	265072-6(O)	V305
T17-1, T17-4, T17-5: KM17CD, TM17CD, TS17C, KS21C, TS21C, SKM17C, STM17C, TS17DU	265051-2		265060-1	Y70F17	259114-1(W) 259082-5(L)	201R13A 201R3A	265072-5(O)	V305
T18-1, T18-2:	265095-2	X110	265096-2	Y70F18/43			265072-9(O) 265094-2(B)	V309 V405
HM21C, HB21C, FM21C, FB21C	265086-1		265077-1	Y70F17	259114-1(W) 259082-6(L)	201R13A 201R15	265072-5(O)	V305
21T3, 21T3A, 21K3, 21KD, CAK3, 21X3, KM17C, TM17C, TM21CA, TB21CA, KM21CA, KB21CA	265051-1 265051-2		265060-1	Y70F17	259114-1(W) 259082-5(L)	201R13A 201R3A	265072-5(O)	V305
1702	265078-3		265046-1	Y70F08			265072-2(O)	V305

⊙ 10-Inch Sets ⊙ 12-Inch Sets ⊙ Mods. 21K3, 21KD, 21T3, 0AK3, 21X3

CADILLAC								
1651, 52, 53, 54	TR-1017 TR-1021	X032 X045	CL1020-3 CL1020-5 CL1020-7	Y70F08 Y70F30 Y70F17	CL-1010(W) CL-1029(W) CL-1011(L)	201R1A 201R10 201R3A	TR1007(O) TR1009(B)	V309 V405
CALBEST								
5082, 5086, 9172, 9176		X036		Y70F08				V301
5086R, 5089R, 5116, 5117, 5120, 5124		X032		Y70F10/43				V301
1916, 1917, 1921, 1924, 1927, 2017, 2020, 2021, 2024, 2027, 2117, 2120, 2121, 2124, 4021, 4027, 4121		X066	⊙	Y70F14/43 Y70F10/43	(W)⊙ (W) (L)	201R11 201R1A 201R15	⊙	V312
2127, 4127		X094			(W) (L)	201R16 201R15		V312

⊙ Mod. 1927, 2027 ⊙ Mod. 2117, 2120, 2121, 4021, 4027, 4121 ⊙ Mod. 4121

CAPEHART								
C-255, C-263, C-265, C-266, C-267, C-271, U-12, A: 8504-P16, 461P, P12, 501P, 502P, 504P	750002A	X077	38986	Y70F08	39249(W)		94273(O) 38973(B)	V304 V401
C-268, C-274; CX31: 3004M, 3006M, 4001M, 4002M	750119A-1	X045	38986⊙ 750093A-1⊙	Y70F08	450477A(W) 450477A(L)	201R10 201R10	94277-2(O) 450187A1(B)	V304 V402
C-272, C-276; CX30: 30018M, 30028M, 3007B, M	7500889B-1	X045	750093A-1		450477A-1(W)	201R10	6501490-1(O)	V305
C-278, C279, CX32: 3005M, 3008M	750119A-1	X045	650231A-1⊙ 750093A-1⊙	Y70F08	450477A-1(W) 450477A-1(L)	201R10 201R10	94277-3(O) 450187A-1(B)	V304 V402
C-281, C-285, C-286, C-289, C-290, C-292, C-298, C-299, C-302, C-303, C-304; CX33, A, F, K, L, LH, M, N, P, R, S: 3208M, M, 321AB, AM, B, M, 322B, M, RAB, RAM, 323M, 324B, M, 325AF, F, 326M, 327M, 328AB, AM, B, M, 328B, M, 333B, M, 334M, 335B, M, 337M, RAM, RM, 30118, M, 30128, M	750163A-1 750163C-1⊙	X068 X068	750155AG1, B, C 750192A, B, D 750192A-G2⊙	Y70F30/3 Y70F30/3 Y70F30/3	450477A-1(L)	201R10	650238A-1(O)	V306

MANUFACTURER MODEL NUMBER AND CHASSIS	HORIZONTAL OUTPUT		DEFLECTION YOKE		WIDTH COIL W LINEARITY COIL L		VERTICAL OUTPUT O VERTICAL BL OSC B	
	MFRS. PART #	RAM #	MFRS. PART #	RAM #	MFRS. PART #	RAM #	MFRS. PART #	RAM #
CAPEHART (Cont'd) CT-27, CT-37, CT-38, CT-39, CT-45, CT-47; CX-330X: 1T17MX, 2T20MX, 3C17MX, 319BX, MX, 320BX, MX, 321ABX, MX, 322RABX, RAMX, 324BX, 325AFX, 326MX, 328BX, AM, M, CMX, MX, 331BX, MX, 335BX, MX, 336CX, FX, 337RACX, CMX, RCMX, 338MX, 339MX, 340X, 341X	750163C-1	X068	750192C-2 750192D-3D	Y70F30/3 Y70F30/3	450966A1(W) 450938A-1(L)	201R10	650238A-1(O)	V306
CT-52, CT-57, CT-68, CTR-68; CX-36: 1T172M, 2C172M, 3C212B, M, 4H212B, M, 5F212M, 6F212B, 7F212M, 8F212B, 9F212M, 10W212M	850220D-1	X099	850221B-1	Y70F14/43	650589B-1(W)		750354B-1(O)	V301
CT-75, CT-77, CT-81, CT-90, CT-95, CT-99, CT-100, CT-108, CT-110, CT-112, CT-115, CT-116, CT-121, CT-122, CT-123, CT-126, CT-127, CT-128, CT-129, CT-130, CT-131, CT-134, CT-143, CT-144, CT-145, CT-146, CX-37, -1: 1C213M, 1T172MA, BA, MS, BS, 1T174MS, M, B, BS, M-1, B-1, MS-1, BS-1, 2F213F, 2T214M-1, M, B, B-1, MD, MD-1, MS, BS, MS-1, BS-1, 3C212MG, BA, 3C213M, 4C174M-1, M, MD, MS, MS-1, 4H212MA, BA, 4T213M, B, 5C213M, B, M-1, B-1, MD, MD-1, 5F212MA, 5H213M, 6F213B, 7H214M, B, M-1, B-1, 8F212BA, 8F213B, 9F212MA, 9F214MD, MD-1, BD, BD-1, 11F244M, M-1, B, B-1, 11W212MA, 12F274M, M-1, 15W214MD-1, BD-1, 16T244M, M-1, MS, MS-1, BS, BS-1, ES, ES-1, 18W214FD-1, 19C214M, M-1, MD, MD-1	850220D-1 850285D	X099 X099	850221B-1	Y70F14/43	650589B-1(W)		750354B-1(O)	V301
CT-74, CX-37: 12F272M	850246A-1 850274C		850247B-1	Y90F19/43	650636A-1(W)	201R14	750398A-1(O)	

⊗ Alternate ⊕ Modified Alternate: Ch. CX33S, KR; Mod. 335B, M, 337M, RAM, RM ⊕ 12-Inch Sets ⊕ 16-Inch Sets ⊕ 16-Inch Rect. CRT ⊕ 16-Inch Round CRT ⊕ CX-38

CBS COLUMBIA A1000, A1001	MFRS. PART #	RAM #	MFRS. PART #	RAM #	MFRS. PART #	RAM #	MFRS. PART #	RAM #
	A1000, A1001	211T1	X036	201D1	Y70F08	201R1(W) 201R3(L)	201R1A 201R3A	204T2(O) 208T2(B)
A1001A, A2000, A2001, A2002, A2010, A, A2012, A, A2016	A1095 A10100D A10107	X036 X036 X066	A28261	Y70F08	A-28258-1(W) A-28258-2(W) PP28258(W)D A28259(L)	201R1A 201R1A 201R1A 201R1A	A1352(O) P81350(O)D A1099(B) P81097(B)D	V310 V304 V405
700-1, -2, -5, -10, -20, -30, -40, -50, -90, -92, -93, -95: 12C1; 12T1, 2; 14T1; 16C1, 2, 5; 16K1; 16M1; 16T1, 18; 17C2, 5, 5B, 7; 17K1, 1C; 17M1; 17T1; 19C1; 20C1, 2; 20K1; 20M1	A10104 A10108D	X032 X066	A28278-2 A28261 PC2830D P828278-3D	Y70F08 Y70F08 Y70F08 Y70F08	A28278(W) A28258-2(W) A28292(L)D A28259(L)D	201R1A 201R1A 201R3A 201R1A	A10115(O)D A1350-2(O)D A1354(O) A10106(B)	V310 V304 V304 V405
700-100, -104, -110, -114, -120, -130, -134, -136, -137, -140, -144, -145, -150: 17C5B-C, 8-C, 9-C, 10-C; 17K1-C; 17M1-C, 2-C, 3-C; 17T-3; 20C1-C, 2-C, 3-C, 4-C, 4B-C; 20K1C; 20M1-C, 3-C; 20T2-C	A10104 A10135	X032 X066	A28278-3D A28302-1D A28317-3D	Y70F08 Y70F08 Y70F08	A28279-1(W) A28292(L)	201R1A 201R3A	A10115-4(O) A10106(B)D A10194(B)D	V310 V405 V404
702-10, -50	A10126	X054	A28286	Y70F30	A28279-2(W)		A10115-5(O) A10194(B)	V310 V404
750-3, 751-3: 17M06; 22C06, 38	A10136 A10137	X075 X075	A28328D A28330D	Y70F08 Y70F08	A28279-1(W) A28318-1(W) A28292(L)	201R13A 201R13A 201R3A	A10152-1(O) A10106(B) A10106(B)	V312 V405
817, -1, 820, -1: 17C18; 17M18; 17T18; 20M18, 28; 20T18	A10136	X075	A28278-3D A28322-1D	Y70F08 Y70F08	A28279-1(W) A28292(L)	201R13A 201R3A	A10152-1(O) A10106(B)	V312 V405
817-6, 820-6, 821-3, 821-4, 821-6: 18C18; 18L18; 18M08, 18, 28, 38; 18T18, 28; 22C08, 18, 18B, 28, 38, 48, 48B, 58, 68, 68B, 78, 78B; 22L18; 22M08, 18, 28, 38; 22T18, 28, 28B	A10136 A10137	X075 X075	A28328D A28329D A28330D PC28323	Y70F08 Y70F08 Y70F08 Y70F08	A28279-1(W)D A28318-1(W)S A28292(L)	201R13A 201R13A 201R3A	A10152-1(O) A10106(B) A10106(B)	V312 V405
817-81, 817-86, 822-2, 822-4: 18M28, 38; 22M28, 38; 22T28, 28B; 22C38, 48, 48B, 58, 68, 68B, 78, 78B	A10136 A10137	X075 X075	A28328D A28330D	Y70F08 Y70F08	A28279-1(W)D A28318-1(W)D A28292(L)	201R13A 201R13A 201R3A	A10152(O) A10106(B) A10106(B)	V312 V405
821-2: 21C18; 22L18	A10136	X075	A28330-1	Y70F08	A28318-1(W) A28292(L)	201R13A 201R3A	A10152-2(O) A10106(B)	V312 V405
921-11-12-13-14-16-21-22: 23C49L, S, LB, SB, 22T09, B, EB, 22C07, B, 22C05, 22T19, B, 22C39, B, 23C39, B, 23T19, 22C09, B, 23C59, B, L, LB, L	12000751 12001101	SX-04 SX-04	16000542	Y70F25	16001111(W) 1600C201(L)	201R3A 201R10	10000221(O) 10000063(B)	V312 V405
921, -2, -6: 22T29, B	PC10171		PC28384	Y70F14	P828318-1(W) P828292(L)	201R13A 201R3A	PC10170(O) P810106-3(B)	V405

MANUFACTURER MODEL NUMBER AND CHASSIS	HORIZONTAL OUTPUT		DEFLECTION YOKE		WIDTH COIL W LINEARITY COIL L		VERTICAL OUTPUT O VERTICAL BE. OSC B	
	MFRS. PART #	RAM #	MFRS. PART #	RAM #	MFRS. PART #	RAM #	MFRS. PART #	RAM #
CBS COLUMBIA (Cont'd)								
921-93,-94: 23C49L, S, L.B, 5B, 22T09, B, EB, 22C07, B, 22C05, 22T19, B, 22C39, B, 23C39, B, 23T19, 22C09, B, 23C59, B, L, L.B, L	120008#1	X094	10000542		16000351(L)	201R15	10000551(O) 10000665(B)	V310# V405
1021-2: 22C11, 11B, 21, 31B41; 22T11, 22C21, 22C41, 22C31B, 22C61B	PC10147		PC2B317-1	Y70F0B	PA2B31B(W) PA2B31B(L)	201R13A 201R13A	PC10115-6(O) PC10154-2(O) PB10106-2(B)	V310 V308# V405
1021-52: 22X21	PC10161		PC2B317-1	Y70F0B	PA2B31B(W) PA2B31B(L)	201R13A 201R13A	PC10154-2(O) PB10106-2(B)	V308# V405
1027,-1: 27C31, 27C11, 27C21	PC10155	X094	PC2B326	Y90F12/47	PA2B31B(W) PB2B327(L)	201R13A 201R15	PC10154-1(O) PC10115-6(O) PB10106-2(B)	V308# V310 V405
1121,-1: 22T22, B; 22C52, B; 22C62, B, 22C49, B	PC10176 12000171		PC2B393 16000541	Y70F25 Y70F25	PB2B390A(W) PB2B327(L)	201R15 201R15	PC10168(O) PC10106-3(B)	V405
1601, 1602: 22TX1, TX2; 22CX1, 2, 3, 4	12001051	SX-01	16001351	Y70F25			10000611(O)	V313
205	12001001		16001241		16000271(W) 16001251(L)	201R13A	12000981(O) 12000971(B)	V303 V402

① 12"-16" Models ② 16" Models ③ 20" Models ④ Alternate ⑤ Mod: 17C2, 5, 5B, 7; 17K1; 17M1; 17T1; 20C1, 2; 20K1; 20M1 ⑥ Mod: 17K1C
 ⑦ Ch: 700-1, -2, -50 ⑧ Ch: 700-100, -104 ⑨ Ch: 700-120, -140, -145 ⑩ Ch: 700-120, -140, -145, -150 ⑪ Ch: 700-150 ⑫ Ch: 750-3
 ⑬ Ch: 751-3 ⑭ Ch: 817-1 ⑮ Ch: 817-6 ⑯ Ch: 817-81, -86 ⑰ Ch: 820-1 ⑱ Ch: 820-6 ⑲ Ch: 821-3, -4, -6 ⑳ Ch: 822-2, -4
 ⑳ Color Set

CORONADO	MFRS. PART #		RAM #		MFRS. PART #		RAM #		MFRS. PART #		RAM #	
	MFRS. PART #	RAM #	MFRS. PART #	RAM #	MFRS. PART #	RAM #	MFRS. PART #	RAM #	MFRS. PART #	RAM #	MFRS. PART #	RAM #
FM43-8965, -8966; 43-8965: 8965, 8966	12M-15662 12M-16157		13M-13590	Y70F0B					12C-16050(O)			
K-21, K-72, K-73-L; 43-9030, -9031, 9041; 9030, 9031	T-124A, 90D	X045	DY-12-M	Y70F14/43	L-477J4-3(W) LW-77J4(L)	201R14 201R10	T-1160(W) T-116A, 8(B)D					V305
05TV1-43-8940B, -8945A, -9002A, B, 9005A, -9006A, -9014A; 15TV1-43-8957A, B, -8958A, B, -9008A, -9015A, B, -9016A, B, -9020A, B, -9021A, B; 94TV1-43-8940A; 8940A; 8945A; 8957A; 8958A, B; 9002A; 9005A; 9006A; 9008A; 9014A; 9015A, B; 9016A, B; 9020A; 9021A; 9021B	12M-17967 12M-18285D 12M-18286 12M-18689, -1, -2D 12M-19407-3D 12M-19407-2D 12M-19408D 201-18530D 201-18562, -3D 201-19817-1	X107 X107 X107 X108 X108 X109 X109 X108 X108 X109	13M-13590D 13M-18888D 201-19490, -1	Y70F0B Y70F0B Y70F0B	13M-18233(W) 13M-18961(L)D 13M-18962(L)D 13M-19320(L)D 13M-19499(L)D 201-20186(L)	201R1A 201R5A 201R3A 201R5A 201R17 201R5A	12C-17303(O)D 12C-19048(O) 12M-18241, -1(B)					V305# V313 V405
TV43-8908; TV43-8960: 8908; 8960	55C113-3D 55C133	X036 X119	53A180 53B140D	Y70F0B Y70F0B	51B1072, -1(W) 51B1071(L)	201R1A 201R3A	55A128(O) 55B114(O)D 55B115(B)					V301# V301# V405
05TV2-43-8950A, -9010A, B; 15TV2-43-9012A, -9013A, -9025A, B, -9026A, B, 9101A, -9102A; 8950A; 9010A, B; 9012A; 9013A; 9025A, B; 9026A, B; 9101AA, 9102A	53X300D 53X305D 53X309D 53X315D 53X319 53X320D	X050 X110 X110	9A2080D 9A2106D 9A2119D 9A2149D 9A2194D	Y70F0B Y70F0B Y70F0B Y70F10/43 Y70F14 Y70F14	9A1976(W)D 9A2075(W)D 9A2183(W) 9A2111(L)D 9A2172(L)	201R1A 201R1A 201R1A 201R3A 201R12	51X147(O)D 51X149(O)D 51X151(O) 54X5(B)D 54X7(B)					V305# V305# V402# V402#
05TV6-43-8935A; 94TV6-43-8935A: 8935A; 8953A	80-252	X036	83-650	Y70F0B	10-551(W)	201R10	80-255(O) 80-257(B)					V304 V403
15TV6-43-8948A, -8948A: 8948A; 8949A	TTR-209D	X045	TTR-224-D	Y70F30	TLF-553D(W)	201R10	TTR-185-1-0D					V309
25TV2-43-9022A, B, C, -9045A, B, C, D, E, F, -9060A, B, C, D, E; 35TV2-43-9022C, -9023A, -9045D, E, F, -9050A, -9061A, -9060C, D, E; 45TV2-43-9023B, -9061B, 9064A; 9022A, B, C; 9045A, B, C, D, E, F; 9060A, B, C, D, E; 9023A; 9050A; 9061A, B; 9023B; 9064A	53X330D 53X326D 53X328D 53X329D	X110 X110 X110 X110	9A2255D 9A2256 9A2263D 9A2274D	Y70F14/43 Y70F14/43 Y70F14/43 Y70F14/43	9A2183(W) 9A2262(L) 9A2183(W) 9A2262(L)	201R1A 201R15 201R1A 201R15	51X156(O)D 51X159(O) 54X8(B)					V312 V402#
35TV2-43-9061A, -9050A; 45TV2-43-9061B, -9050B: 9061A, B; 9050A	53X330 53X329	X110 X110	9A2274 9A2334-1	Y70F14/43 Y70F14	9A2183(W) 9A2262(L)	201R1A 201R15	51X156(O) 54X8(B)					V312 V402#
321G47-486, 2321G47-488: 43-9060F	53X330 53X329	X110 X110	9A2334-1	Y70F14	9A2183(W) 9A2262(L)	201R4D 201R15	51X168(O) 54X10(B)					V312# V405
35TV2-43-9023A; 45TV2-43-9023B: 9023A, B	53X329	X110	9A2261	Y70F14/43	9A2183(W) 9A2262(L)	201R1A 201R15	51X156(O) 54X8(B)					V312 V402#
45TV1-43-9027A, -9028A, -9085A, 86A, 87A, 88A, 89A, 90A, 91A, 92A, 93A, 94A, 95A, 96A, 97A, 98A, 130A, 131A	T-124D	X045	DY 12M	Y70F14/43	LM77J4-3(W) LM77J4(L)	201R14 201R10	T-116B(O)					V302

MANUFACTURER MODEL NUMBER AND CHASSIS	HORIZONTAL OUTPUT		DEFLECTION YOKE		WIDTH COIL W LINEARITY COIL		VERTICAL OUTPUT : O VERTICAL BL. OSC : B	
	MFRS. PART #	RAM #	MFRS. PART #	RAM #	MFRS. PART #	RAM #	MFRS. PART #	RAM #
CORONADO (Cont'd)								
45TV13-43-9081A, -9080A, -9035A; 45TV13-43-9038A: 9081A;9038A,9035A, 9080A	521066	X076	520942	Y70F14/43			520975(0) 520980(B)	
94TV1-43-8970A, -8971A, -8972A, -8973A, -8985A, -8986A, -8987A, -8993A, -8994A, -8995A: 8970A;8971A;8972A;8973A; 8985A;8986A;8987A;8993A;8994A;8995A	53X296	X036	9A2048 9A1987D	Y70F08	9A1976(W) 9A1981(L)	201R1A 201R10	51X140(0) 54X4(B)	V301 V401
TV1-9017A	12E-23939	X126	13M-23755 201-23744	Y70F08/43 Y70F08/43			12E-23726(0)	V310

ⓐ Alternate ⓑ TV43-8960 ⓒ 15TV1-43-9008A ⓓ 05TV1-43-8945A, -9005A, -9006A ⓔ 05TV1-43-9014A ⓕ 94TV1-43-8940A;
05TV1-43-8940B, -8945A, -9002A, B, -9005A, -9006A ⓖ Late Modc. 8940A, B; 9002A, B ⓗ 94TV1-43-8940A ⓘ 15TV1-43-9008A, Late;
05TV1-43-9014A ⓘ 05TV2-43-8950A, -9010B; 15TV2-43-9012A, -9013A ⓘ 05TV2-43-9010A ⓘ 05TV2-43-9010B; 15TV2-43-9012A,
-9013A ⓘ 05TV2-43-9010A ⓘ 05TV2-43-9010B, Alt. ⓘ 15TV2-43-9010A, 9102A ⓘ 05TV2-43-8950A ⓘ 25TV2-43-9022A, B, C;
35TV2-43-9023A; 45TV2-43-9023B ⓘ 35TV2-43-9023A; 45TV2-43-9023B ⓘ 25TV2-43-9022A, B, C ⓘ 94TV2-43-8970A; 8971A
ⓙ Late Modcs: R321 (22.Ω) Changed to 10 ; Tap 8 of Width Coil Changed to Tap 4 for added H.V., Width ⓚ Supercedes
53X326 ⓛ Use Original Slider and Core

CORONET 20A1B, A2A, A2C, A2A, A1S, TV17A2, A3, A4 (M31, 32, 33)	TO-0024	X035		Y70F08	(L) ⓐ(L)	201R12 201R3A		V305 V401
--	---------	------	--	--------	-------------	------------------	--	--------------

ⓐ TV17A2, A3, A4 (M31, 32, 33)

CROSLY								
9-403M, MA, M2; 9-404M; 9-413B, B2; 9-414B; 9-420M; 9-423M; 9-424B	B-144724 AC-145629D	X066 X066	AB-144904	Y70F08	AW-145139(W) AW-144551(L)	201R1A 201R3A	B-145488(0) B-144559(B)	V301 V405
9-407, M1, M2, M3; 9-409M3; 9-419M1, M1-LD, M2, M3, M3-LD	W-160201 AC-145629D	X066 X066	AB-160445 AC-160569D	Y70F08 Y70F08	AW-160238(W) AW-160281(L)	201R1A 201R3A	W-160200(0) D-160015-2(B)	V301
9-408, (50), 307TA, -50	W-139194	X036	W-139200	Y70F08	W-139185(W) W-139186(L)	201R1A 201R3A	W-139192(0) W-139191(B)	V301 V401
9-422M, LD, MA	AC-145902	X077	AC-145571	Y70F08	AW-145621(W) AW-145622(L)	201R4 201R5A	W-160200(0) D-160015-2(B)	V301
10-401	AC-146756	X115	AB-146996	Y70F08	AW-146984(W) AW-147004(L)	201R3A 201R10	B-146989(0) B-146842-1(B)	V305 V405
10-404MU, M1U; 10-412MU; 10-418MU; 10-420MU; 10-427MU	AC-147552	X115	AB-147560D AB-146324D AB-147634D	Y70F08 Y70F08 Y70F08	AW-146984(W) AW-147004(L) AW-147880(L)D	201R3A 201R4 201R10	B-147824(0) B-146842-1(B)	V405
10-414MU; 10-416MU, M1U; 10-429MU	AC-147428		AB-147445	Y70F08	AW-147611(W) AW-147004(L)	201R10 201R10	B-145751-2(0) B-146842-1(B)	V301 V405
10-419MU	AC-148161	X115	AB-148145	Y70F08	AW-148197(W) AW-147004(L)	201R4 201R10	B-146989(0) B-146842-1(B)	V305 V405
10-421MU	AD-148258	X117	AC-148887-3	Y70F08	AW-148381(W) AW-148452(L)	201R11 201R13A	B-145751-2(0) B-146842-1(B)	V301 V405
10-428MU	AC-148761		AC-148887-3	Y70F08	AW-147611(W) AW-147882(L)	201R10 201R10	B-148296(0) B-146842-1(B)	V309 V405
320: 11-441MU; 11-446MU; 11-471BU	AC-149146	X115	AC-148887-6	Y70F08	AW-148978(W) AW-147482(L)	201R3A 201R10	B-149263(0) B-146842-3(B)	V305 V405
321, -1, -2: 11-442MU; 11-444MU; 11-445MU, 11-447BU, MU, 11-453MU, 11-459MU, M1U, 11-465MU, 11-475BU, 11-477BU	AD-149567	X117	AC-148887-6	Y70F08	AW-149492(W) AW-148452(L)	201R14 201R13A	B-148970(0) B-146842-3(B)	V309 V405
321-4, 323-6, 331-4: S11-442MU; -444MU, -453MU, -459MU, -472BU, -474BU; S17COC1, 2, 3, 4; S17COC1, 2, 3; S20COC1, 2, 3	AD-151195		AC-148887-6 AC-148887-1D	Y70F08 Y70F08	AW-149492(W) AW-148452(L)	201R14 201R13A	B-148970(0) B-146842-3(B)	V309 V405
323, 325: 11-443MU; 11-446MU; 11-473BU, 11-476BU	AD-149616D AD-149146	X115	AC-148887-6 AC-148887-7D	Y70F08 Y70F08	AW-148978(W) AW-149492(L)	201R15 201R13A	B-148970(0) B-146842-3(B)	V309 V405
323-3, -4: 20COC1, 2, 3	AD-151195		AC-148887-11	Y70F08	AW-149492(W) AW-148452(L)	201R14 201R13A	B-148970(0) B-146842-3(B)	V309 V405
331, -1, -2: 17COC1, 2, 3, 4; 17COC1, 2, 3; 11-460MU; 11-470MU; 11-472BU; 11-474BU; 11-483BU	AD-149567	X117	AC-148887-6	Y70F08	AW-149492(W) AW-148452(L)	201R14 201R13A	B-148970(0) B-146842-3(B)	V309 V405
356, -1, -3, -4: DU-17CDB, CDM, CHB, CHM, CHN, CHN1, COB, COLA, COL, COM; DU-17TOB, TOL, TOL1, TOL2, TOM	AD-151802	X117	AC-148887-6	Y70F08	AC-151757(W) AC-152056(L)	201R13A 201R13A	B-148970(0) B-146842-4(B)	V309 V405
357, -1, 358: DU-17PDB, PDM, PHB, PHM, PHN, PHN1; DU-20CDM, CHB, CHM, COB, COM, PDM; DU-21CDM1, CDM, CHM1, COB1, COL, COLB, COM1; DU-20PDM	AD-151802	X117	AC-148887-6 AC-148887-1D	Y70F08 Y70F08	AC-151757(W) AC-152056(L)	201R15A 201R13A	B-148970(0) B-146842-4(B)	V309 V405

MANUFACTURER MODEL NUMBER AND CHASSIS	HORIZONTAL OUTPUT		DEFLECTION YOKE		WIDTH COIL W LINEARITY COIL L		VERTICAL OUTPUT O VERTICAL BL. OSC B	
	MFRS. PART #	RAM #	MFRS. PART #	RAM #	MFRS. PART #	RAM #	MFRS. PART #	RAM #
CROSLLEY (Cont'd)								
380, 381: EU-17 COM, TOB, TOM; EU-21 CDB, CDM, COM, COBa, COMa	153619	X117	153614	Y70F08/43	151757(W) 152056(L)	201R5A 201R13A	153467(0) 146842-6(B)	V309 V405
385, 386, 387: EU-17 COL, COLB, TOLA, TOLB; EU-21 COL, COLB, TOL, TOLB, COLLe, COLBe, CLD, CLDe, COS, COSB	154990-1D 154990-2 154069-1	X118 X118 X118	154221-6	Y70F25/3			154106(0) 154105-1(B)	V306M V405
390, 391, 392: EU-21 COMUa, COBUa, COMU, CDM, COMU, PDMU, PDBU	153619	X117	153614	Y70F08/43	153746(W) 152056(L)	201R5A 201R13A	153467(0) 146842-6(B)	V309 V405
393, 394: EJ-21 TOLU, TOLBU, COLU, COLBU, COLU, COLBU, COSU, COSBU	154990-1D 154990-2	X118 X118	154221-6	Y70F25/3			154106(0) 154105-1(B)	V306M V405
396: EU-17 COLU, COLBU, TOLU, TOLBU	154069-1	X118	154221-5	Y70F25/3			154106(0) 154105-1(B)	V306M V405
402, -1, -4, -5; 403, -1, 404, -1, -4, -5: F-17 TOLH, TOLBH, TOLU, TOLBU; F-21 TOLH, TOLBH, TOLU, TOLBU, COLH, COLBH, COLU, -1, COLBU, -1, COLH, COLBH, COLU, -1, COLBU, -1, 17TOSH, TOSBH, TO SU, TOSBU; 21TOSH, TOSBH, TOM, COMH, COBH, COMH, TO SU, TOSBU, COBU, COMU	155514-1D 157045-1D	X118 X118	154221-6D 154221-9D	Y70F25/3 Y70F25/3			155572(0) 155255-1(B)	V306M V405
405, -1, 410, -1: F-21 TOMH, TOBH, TOMU, TOBU, COMH, COBH, COMU, COBU, COMH, COBH, COMU, COBU; F-17 TOMH, TOBH, TOMU, TOBU, COMH, COBH, COMU, COBU	156330-1 156350	X118 X118	154221-9D 154221-9D	Y70F25/3 Y70F25/3			155572(0) 155255-2(B)	V306M V405
406, -1: F-21 PDMH, PDBH, PDMU, PDBU	158330-1	X118	154221-9	Y70F25/3			155572(0) 155255-1(B)	V306M V405
411, -1: F-24 COLH, COLBH, COLU, COLBU	155445-1, -2		156469-1	Y90F12/47			155966(0) 155255-1(B)	V405
411, -4, -5, 412, -1, 414, -1, 416, -1: F-24 COMH, PDMH, PDBH, PDMU, PDBU, CDBH, COMU, COBU; F-27 COMH, COBH, COMU, COBU; F-24 COLH, COLBH, COLU, -1, COLBU, -1	155445-2, -5		156839-1	Y90F12/47			155966-1(0) 155255-1(B)	V405
426: G-17 TOMH, TOBH, TOMU, TOMU, TOBU, TOMU	157820-1D 157820-6, -8	X123 X123	157908-1	Y70F25/3			155572-2(0) 155255-3(B)	V306M V405
431, -1, -2, 432, -1, -3, 433, -3, 434, 441, 442, 443, -3: H-17 TOBH, a, c, d, TOBU, TOMH, a, c, d, TOMU, c, TOMH, a, c, d, TOMU, c; (G)H-21 COBH, a, b, d, COBU, c, COMH, a, b, d, COMU, c, COBH, a, b, d, COBH, a, b, d, COMU, c, COBH, a, b, d, COMU, c, COBH, a, b, d, COMU, c, HCBH, a, b, d, HCOMU, a, b, c, d, HCBU, c, HCOMH, b, HCOMH, a, b, d, HCOMU, c, HPPH, a, d, HPWH, a, d, TOBH, a, b, c, d, TOBU, c, TOMH, a, b, c, d, TOMH, a, b, d, TOMU, c	158446-1-2 158448-1-5 159770	X123 X123 X123	158426-1	Y90F19/43			158477-1(0) 158726-1(0) 155255-3(B)	V315 V315 V405

ⓐ Mod. 9-409M3; 9-419M1, 2, 2-LD, 3 ⓑ Mod. 9-419M1, 1-LD, 2 ⓓ Mod. 9-420M; 9-424B; 9-423M ⓔ Mod. 10-404 ⓕ Mod. 10-412; 10-418 ⓖ Mod. 10-420 ⓗ Mod. 10-421 ⓘ Mod. 10-427 ⓙ Ch. 323-6 ⓚ Ch. 323-6 ⓛ Ch. 357 ⓜ Ch. 402 ⓝ Ch. 403, 404 ⓞ Ch. 405 ⓟ Ch. 410 ⓠ Remove Jumper Terms #2, #3; Add 27 Ω Resistor - Ch. 403, 404 ⓡ Ch. 402-4, 404-4, -5
 ⓢ When Replacing with Flyback 157820-6, -E, Connect 22M Ω Cap. From Damper Cathode to Ground (Total 68M Ω)

DEWALD	MFRS. PART #	RAM #	MFRS. PART #	RAM #	MFRS. PART #	RAM #	MFRS. PART #	RAM #
BT-100, BT-101, CT-101	1051	X036	1055	Y70F10	1066(W) 1065(L)	201R1A 201R3A	1052(0) 1053(B)	V301 V401
CT-102, CT-103, CT-104, DT-120, DT-122, DT-160, DT-161, DT-162, L, DT-163, DT-190, DT-1020, A, DT-1030, A, DT-X-160, ET-140, ET-141	1097D 1120-C1D	X036 X047	1089-1D 1121D	Y70F08 Y70F10	1078(W) 1079(L)	201R1A 201R4 201R3A	1081(0)D 1110-3(0)C 1080(B)D 1109-2(B)C	V303 V308 V309 V401 V405 V403
DT-162R, DT-163A, R, DT-190D, ET-140R, ET-141R, ET-170, ET-171, ET-172, ET-190D, R, FT-200, FT-201	1120 A, -2	X047	11210, -3	Y70F10	1107(W) 1079(L)	201R4 201R3A	1110, -2(0) 1109, -A, -4(B)	V308 V405
ET-171-20, ET-190D, FT-200D, G-174, G-201, G-210, G-211	1120 A, -2	X047	1121D, -3	Y70F10		201R4 201R3A	1110, -4(0)	V308

ⓐ Late Models ⓑ Mod. CT-102, -103, -104, DT-120, DT-160, DT-161 ⓓ DT-162, -163, ET-104, ET-141

DUMONT	MFRS. PART #	RAM #	MFRS. PART #	RAM #	MFRS. PART #	RAM #	MFRS. PART #	RAM #
RA-102, -B1, -B2, -B3	20D4706	X036		Y70F08		201R1A 201R3A		
RA-103	20D12856	X036	21-388	Y70F08	21004721(W) 21004771(L)	201R1A 201R3A	20-380(0) 20D8901-2(B)	V301
RA-103D, RA-104A	20D04261	X036	21004241 21004242	Y70F08 Y70F08	21004741(W) 21004771(L)	201R1A 201R3A	20D03944(0) 20D04142(B)	V301

MANUFACTURER MODEL NUMBER AND CHASSIS	HORIZONTAL OUTPUT		DEFLECTION YOKE		WIDTH COIL W LINEARITY COIL L		VERTICAL OUTPUT D VERTICAL BL DSC B	
	MFRS. PART #	RAM #	MFRS. PART #	RAM #	MFRS. PART #	RAM #	MFRS. PART #	RAM #
DUMONT (Cont'd)								
RA-105	20003951	X077	21004241	Y70F08			20003941(0) 20003931(B)	V301
RA-105B, RA-106, RA-108A	20004361	X077	21004971	Y70F08	21004711(W)	201R1A	20003942(0) 20003931(B)	V301
RA-108-A1, -A2, -A3, -A5, -A6, -A7	20004941	X077	87000031 21005541	Y70F10/43 Y70F08	21004341(W) 21005491(L)	201R12	20004732(0) 20004722(B)	V305 V402
RA-110A	20004521 20004261 20004581(B)	X036C X036C X036C	21004241 21004242	Y70F08 Y70F08	21004741(W) 21005001(W) 21004771(L)	201R3A	20003944(0) 20004142(B)	V301
RA-111A, -A1, -A2, -A4, -A5	20004781		21005501	Y70F10/43	21005322(W) 21005221(L)	201R12 201R12	20004731(0) 20004721(B)	V305 V402
RA-112A, -A1, -A2, -A3, -A4, -A5, -A6; RA-113, -B1, -B2, -B3, -B4, -B5, -B6, -B7, -B8	20005021	X048	21005711	Y70F10/43	21005821(W) 21005491(L)	201R16 201R12	20005031(0) 20004726(B)	V310 V402
RA-117A, -A1, -A3, -A5, -A6, -A7	20005262		21006091 21005042	Y70F10/43 Y70F10/43	21005821(W) 21005491(L)	201R16 201R12	20005031(0) 20004721(B)	V310 V402
RA-119A	20005611		87000191		210055491(L)	201R12	20005662(0) 20004723(B)	V301 V402
RA-130A	20004941	X077	21008871	Y70F10/43	21004341(W) 21005491(L)	201R12	20005032(0) 20005492(0) 20004723(B)	V308 V308 V402
RA-147A	20005262		87000031	Y70F10/43	21005821(W) 21005491(L)	201R16 201R12	20005031(0) 20004726(B)	V310 V402
RA-160, -A1; RA-162, -B1, -B4, -B5, -B6, -B7, -B21, -B22, -B23, -B24, -B25, -B26	20006731		21009961	Y70F10/43	21005821(W) 21007791(L)	201R16 201R15	20005497(0) 20004728(B)	V301 V402
RA-164, -A1; RA-165, -B1, -B2, -B3, -B4, -B5	20008061	X074	21011061	Y70F20/43	21011011(W) 21011001(L)	201R15 201R15	20008021(0)	V312
RA-166/171	20008061	X074	21011062	Y70F20/43	21011011(W) 21011001(L)	201R15 201R15	20008021(0)	V312
RA301, 302	20008801	X094D	2101251	Y90F12/47	21011601(W)	201R16	20008711(0)	V310
RA-306; RA-307	20008402	X080	89013321	Y70F18/43	21011011(W) 21011001(L)	201R15 201R15	20008481(0)	V312
RA312, 313	20009081 20009391	X098 X098	89013571 89013572				20009021(0)	
RA321, 322	20009091	X094D	89013333	Y90F12/47	21011601(W)	201R16	20008711(0)	V310

Ⓢ Use 201R14 Sec. For AGC Ⓣ Use Two Filament Windings Ⓤ Connect 20K (20W) Across Damper

EMERSON	MFRS. PART #		MFRS. PART #		MFRS. PART #		MFRS. PART #	
	MFRS. PART #	RAM #	MFRS. PART #	RAM #	MFRS. PART #	RAM #	MFRS. PART #	RAM #
120019: 527	738000	X036	708130	Y70F08			738010(0) 738030(B)	V301
120025-B, 120066-B, 120086-B, 120087-B, -D, 120088-B, 120090-B, -D, 120091-B, -D, -D, 120092-B, -D, 120107-B: 571, 585, 606, 611, 612, 618, 619, 620, 624, 627, 638	738000D 738000D 738015D 739000	X036 X036 X036 X036	738030 708130D	Y70F08	708082(W) 708003(L)	201R1A 201R3A	738010(0)X 738011(0) 738004(B)	V301 V304 V405
120047: 545	738000	X036	708130	Y70F08	708082(W) 708003(L)	201R1A 201R3A	738010(0) 738004(B)	V301 V405
120084-B, 120094-A: 609, 649, A	738012 738015D	X036 X036			708082(W) 708003(L)	201R1A 201R3A	738010(0) 738010-1(0)X 738011A(0) 738004(B)	V301 V301 V304 V405
120089-B, 120104-B, -BJ: 608, A, 626	738014 738024D	X077D X077D	708130	Y70F08	708019(W) 708021(L)	201R4 201R5A	738010(0) 738011(0)D 738004(B)	V301 V304 V405
120095-B, 120131-B, 120138-B: 6140, 637A, 650F, 654F, 655F, 665, 8	738039	X045	708036	Y70F08	708055(W) 708052(L) 708056(L)X	201R10 201R10 201R10	738054(0) 738029(0)X	V302 V308
120096-B, 120098-B, -P, 120099-B, 120109-B, -C, 120114-B: 621, 622, 628, 629, C, 630, 631, B, C, 632, 633, B, 651C	738018 738025D	X077D	708130, R	Y70F08	708019(W)C 708051(W) 708003(L) 708021(L)D	201R4 201R3A 201R5A	738016(0) 738017(0)X 738032, A(0)X 738033(0)X	V301 V301 V301 V301
120110-B, -BC, -C, -E, 120113-B, -BC, -C: 614B, BC, C, 637, B, BC, C, 644B, BC, C, 647B, BC, C, 648B, 650	738028 738034D	X036 X032	708130, R 708036	Y70F08 Y70F08	708082, -1(W) 708003(L) 708037(L)X	201R1A 201R3A 201R3A	738026, A(0)X 738027(0)X 738029(0) 738004(B)	V305 V305 V308 V405
120118-B: 650, B, 654, B	738034	X032	708130, R	Y70F08	708082, -1(W) 708037(L)	201R1A 201R3A	738029(0)	V308

MANUFACTURER MODEL NUMBER AND CHASSIS	HORIZONTAL OUTPUT		DEFLECTION YOKE		WIDTH COIL (W) LINEARITY COIL (L)		VERTICAL OUTPUT (O) VERTICAL BL. OSC. (B)	
	MFRS. PART #	RAM #	MFRS. PART #	RAM #	MFRS. PART #	RAM #	MFRS. PART #	RAM #
EMERSON (Cont'd) 120120-B: 629B, C, 651B	738045		708122	Y70F10/43	708053(W) 708054(L)	201R11 201R12	738029-2(0)	V308
120123-B, 120133-B: 650D, 648D, 655, B, D, 660B, 664B, 673B	738039	X045	708036	Y70F08	708055(W) 708052(L) 708056(L)X	201R10 201R10 201R10	738050(0)O 738054(0)	V302 V302
120124-B, 120129-B, -D, 120140-B, -G, 120144-B, -G, -H: 629D, 651C, D, 658B, C, D, 669B, 675B, 676B, D, 680B, D, 681B, D, 686B, D, 687B, D, 688B, 689B, 690B, 692B, 693B, 694B, 696B, 697B	738047 738048, AQ	X068 X068	708043 708073D 708117D	Y70F30/3 Y70F30/3 Y70F30/3	708058(W) 708003(L)	201R15 201R3A	738044(0)	V306
120127-B, 128127-B, 128141-B: 662B, 663B, 683B, 698B	738053	X068	708064	Y70F30/3	708058(W) 708003(L)	201R15 201R3A	738044(0) 738052(0)O	V306
120134-B, -G, -H, 120135-B, -G, -H: 648B, 661B, 667B, 668B, 674B, 677B, 678B, 684B, 685B	738047 738048D	X068 X068	708043 708133D	Y70F30/3 Y70F30/3	708058(W) 708003(L) 708004(L)X	201R15 201R3A	738044(0)	V306
120142-B, 120143-B, -H, 120148-B, 120153-B, -D, 120158-B, 120160-B, 120162-A: 676F, 681F, 686F, L, 687F, L, 696F, L, 699B, D, 700B, D, L, 701B, D, F, 709A, 714B, D, 715D	738060D 738069	X064 X065	708043D 708073D 708133D 708137 708150D	Y70F30/3 Y70F30/3 Y70F30/3 Y70F20/43 Y70F30/3	708068(W) 708003(L)	201R15 201R3A	738059(0)O 738070(0)	V302
120163-D, 120164-B, 120166-D, 120171: 711B, 712B, 716D, 717D, 719D, 720B, 721D, 722D, 728D, 736B	738067 738069D 738073D 738074D	X065 X065 X065 X065	708137 708163D 708165D	Y70F20/43 Y70F20/43 Y70F20/43	708156(W)	201R15	738066(0)	V302
120168-D, 120194-D: 716F, 717F, 719F, 727D, 741D, 751D, 757J, 760J	738067	X065	708163	Y70F20/43	708156(W)	201R15	738066(0)	V302
120169-B, -F: 711F, 712F, 720D, F, 732B, 733F, 734B, 742B, 767C, 771C	738068 738075	X065 X065	708162	Y70F20/43	708156(W)	201R15	738066(0)	V302
120174-B, 120180-D, 120193-B, 120184, 120188-D: 752A, 753D, F, 755A, 761C, 768A, 772A, 774A, 784A, 785C, E, 768C, 776A, 794A	738067D 738068D	X065 X065	708137	Y70F20/43	708156(W)	201R15	738066(0)	V302
120179-B, 120203-B, 120204-B, 120205-B: 748B, C, 777B, 787A, B, 796C, 797B, C, 798B	738078 738087	X094 X094	708174	Y90F19/43	708068(W) 708156(W)	201R15 201R15	738076(0)	
120182-D, 120195-D, 120196, 120197-B, -D, 120206-D, 120208-D: 741F, 757D, 758F, 759C, 760M, 781A, E, 784E, K, G, M, 785K, 792D, 793E, 1000C, 1001E, G, 1002C, D, 1003E, F, G, 1004C, 1005E, F, G, 1006C, 1007E, G, 1008C, 1009E, G, 1010C, 1011E, G, 1012D, 1013C, 1014C, 1015C, 1018C, D, 1022C, D, 1023E, 1024C, 1025E, 1026C, D, 1027E, 1028C, 1029E, 1040F, 1041E	738079 738084	X065 X065	708176	Y70F25	708068(W)	201R15	738080(0) 738081(C)	V308 V308
120185-B, 120192-B, D: 732G, 742E, 767A, 767B, 771A, B, 773A, 771D	738068 738082D	X065 X065	708137	Y70F20/43	708068(W)X 708156(W)	201R15 201R15	738066(0)	V302
120190-D, 120191-D, 120206-B: 760D, H, 762D, F, 740	738067 738083D	X065 X065	708137	Y70F20/43	708068(W)X 708156(W)	201R15 201R15	738066(0)	V302
120220-D, 120239-D: 1030D, 1032D, 1058D, 1060D, 1062D, 1064D	738099 738091	X065 X065	708176	Y70F25	708068(W)	201R15	738080(0) 738081(0)	V308 V308
120223-D, 120225-D, -F, 120233-D, 120235-D, 120134-D, 120236-D, 120237-D, 120238-F, 120241-D, F, 120249D, F: 1000H, 1002F, H, 1004F, H, 1006H, 1008A, 1009J, 1010H, 1011J, 1012F, 1022H, 1028H, 1036F, 1040D, H, 1041F, 1042D, H, 1043F, 1044D, F, 1045F, H, 1047D, F, 1048D, 1049D, F, 1050D, 1051D, 1052D, 1054D, 1066D, 1067D, F, 1070D, 1071D, F, 1072D, 1074F, H, 1075D, F, 1084D, 1085F, 1086D, 1088D, 1090D, 1092D, 1098D, 1099D, 1101D	738096 738100	X065 X065	708211 708212 708176	Y70F25 Y70F25 Y70F25	708068(W)	201R15	738097(0) 738098(0)	V308 V308

Ⓢ Alternate Ⓣ Ch. 120025-B, 120088-D, 120090-B, -D, 120087-B, -D; Mod. 585, 606 Ⓣ Ch. 120066-B, 120088-B, 120090-B, -D; Mod. 571, 585 Ⓣ Ch. 120087-B, -D, 120191-D, -QD, 120192-D, 120107-B; Mod. 606 Ⓣ Ch. 120094-A Ⓣ Ch. 120095-B Ⓣ Ch. 120096-B, 120109-B, -C, 120114-B Ⓣ Ch. 120113-C; Mod. 650 Ⓣ Ch. 120123-B Ⓣ Ch. 120129-D Ⓣ Ch. 120134-G Ⓣ Ch. 120140-B Ⓣ Ch. 120141-B Ⓣ Ch. 120142-B Ⓣ Ch. 120158-B, 120142-B, 120158-B, 120153-B, -D, 120160-B Ⓣ Ch. 120158-B, 120153-B, -D Ⓣ Ch. -120166-D Ⓣ Ch. 120164-B Ⓣ Ch. 120174-B, 120193-B Ⓣ Ch. 120180-D, 120198-D Ⓣ Ch. 120191-D Ⓣ Ch. 120192-B Ⓣ Part of Projection Unit Ⓣ Ch. 120192B, D Ⓣ Ch. 120191-D Ⓣ Use 201R11 Width coil Sec. for AGC

MANUFACTURER MODEL NUMBER AND CHASSIS	HORIZONTAL OUTPUT		DEFLECTION YOKE		WIDTH COIL W. LINEARITY COIL L		VERTICAL OUTPUT O. VERTICAL BL. OSC B		
	MFRS. PART #	RAM #	MFRS. PART #	RAM #	MFRS. PART #	RAM #	MFRS. PART #	RAM #	
FADA									
TV30; 799, 880, 899	42-13	X036	37-101 92-231		Y70F08/43 Y70F08/43	37-106(W) 37-105(L)	201R1A 201R3A	42-14(0) 42-15(B)	V301 V401
895	42-45	X036	37-101		Y70F08/43	37-106(W) 37-105(L)	201R1A 201R3A	42-14-1(0) 42-15-1(B)	V301 V401
930, 940	37-105	X036	32-64		Y70F08	37-106(W) 37-105(L)	201R1A 201R3A	42-14-1(0) 42-15-1(B)	V301 V401
G925, 925, 965	42-43	X077	37-101		Y70F08/43	37-215(W) 37-214(L)	201R4 201R5A	42-14-1(0) 42-15-1(B)	V301 V401
R7C15, 7C25, 1025, 1050	42-59		37-242		Y70F10	37-231		42-14-3(0) 42-15-1(B)	V301 V401
S1015, 1020, 1030	37-239		37-238		Y70F14/43	37-232(L)	201R12	42-62(0) 42-53(B)	V310 V401
S1055, S1055X, S1060, S1065, S6C55, 70, S6T65, S7T65, S7C20, S7C30, 70	37-247	X049	37-249		Y70F14/43	37-248(W) 37-250(L)	201R13A 201R12	42-62(0) 42-53(B)	V310 V401
S7C20, 30, Rev.	37-255	X049	37-256		Y70F14/43	37-248(W) 37-250(L)	201R13A 201R12	42-62(0) 42-53(B)	V310 V401
S20C10, S20T20	37-258	X049	37-261		Y70F10	37-248(W) 37-250(L)	201R13A 201R12	42-62(0) 42-53(B)	V310 V401
7C42, 52; 7T32; 721, 775	37-255	X049	37-261		Y70F10	37-248(W) 37-250(L)	201R13A 201R12	42-62(0) 42-53(B)	V310 V401
20C22, 20T12, 24T10	37-264	X110	37-265		Y70F14/43	37-248(W) 37-244(L)	201R13A 201R12	42-65(0) 42-53(B)	V312 V401
R1045	42-45	X036	37-101		Y70F08/43	37-106(W) 37-105(L)	201R1A 201R3A	42-47(0) 42-15(B)	V303 V401
S4C20, S4C40, S4T15, S4T30	37-239		37-254		Y70F10	37-215(W) 37-214(L)	201R4 201R5A	42-62(0) 42-53(B)	V310 V401
DL21T, 21C2, 21Y, 24T2	37-264	X110	37-265		Y70F14/43	37-248(W) 37-244(L)	201R13A 201R12	42-65(0) 42-53(B)	V312 V401
17C2, 17C4, 17T6, 17T9	37-255	X049	37-261		Y70F10	37-248(W) 37-250(L)	201R13A 201R12	42-62(0) 42-53(B)	V310 V401
H212C, H218C, H321T, H421T, H6 21T, H8 21T, U2100C, U2150C, UL D2100 T, UH21T	37-264	X110	37-265		Y70F14/43	37-248(W) 37-244(L)	201R13A 201R12	42-65(0) 42-53(B)	V312 V401
H274T, H276T, H442C, H542C	37-280	X110	37-281		Y90F12/47	37-248(W) 37-244(L)	201R13A 201R12	42-82(0) 42-53(B)	V401
U1700CD, U1770CD	37-272	X110	37-273		Y70F14	37-248(W) 37-244(L)	201R13A 201R12	42-62(0) 42-53(B)	V310 V401
17L1, 17L2, LO, EB, 17KD, 21L1, 21L2, LO, EB, 21KA, 21K1, LO	42-92	X080	37-286		Y70F25			42-93(0) 42-53(B)	V313 V405
FIRESTONE									
1304: 347-9-249 B	TTR-154	X036	TTR-159D		Y70F08	TLF-505(W) TLF-506(L)	201R1A 201R3A	TTR-153(0) TTR-152(B)	V301 V401
1305: 291-9-651	22E34	X036	2E80		Y70F08	20E415(W) 20E410(L)	201R1A 201R3A	22E33(0) 22E31(B)	V301 V401
13044, 45, 46, 47, 48: 307-0-9120G, H, -9121C, -9123A, B	508679 508880	X045 X045	508675		Y70F10/43	508667(W) 162190(L)	201R1A 201R12	508956(0) 508076(B)	V308 V405
13046, 50: 105-0-70090	A10104 A10108	X032 X066	PC28278-3		Y70F08	PA28279(W) PP28292(L)	201R1A 201R3A	A10115(0) A10125(B)	V310 V401
13051, 52: 307-1-9202A, AA, B, BA	509384	X096	509704		Y70F10/43	509361(W)	201R13A	509375(0) 508076(B)	V308 V405
13053, 54, 55, 58, 59, 78: 105-1-70090, -70096	PC10164 PC10108	X032 X066	PC28278-3 PC28302-10		Y70F08 Y70F08	PA28279(W) PA28292(L)	201R1A 201R3A	PB10115-4(0) PB10125(B)	V305 V405
13056: 334-1-9T25A	53X319	X110	9A2194		Y70F14/43	9A2183(W) 9A2172(L)	201R1A 201R12	51X151(0) 54X7(B)	V305 V402
13057: 334-1-1T28A	53X320	X110	9A2195		Y70F14/43	9A2183(W) 9A2172(L)	201R1A 201R12	51X151(0) 54X7(B)	V305 V402
130107, 106, 108, A, 122: 105-2-700140, -700100, -700104	A10104 A10135	X032 X066	A28278-3 A28302-10		Y70F08 Y70F08	A28279-1(W) A28292(L)	201R1A 201R3A	A10115-4(0) A10106(B) A10134(B)	V310 V405 V404
130110: 334-2-MS29A	53X319	X110	9A2257		Y70F14	9A2183(W) 201R12	201R1A 201R12	51X151(0) 54X7(B)	V305 V402
130110, 115, 116, 118, 120: 334-2- MS31C/A	53X326 53X330D	X110 X110	9A2274		Y70F14/43	9A2183(W) 9A2262(L)	201R1A 201R15	51X156(0) 54X8(B)	V312 V402

MANUFACTURER MODEL NUMBER AND CHASSIS	HORIZONTAL OUTPUT		DEFLECTION YOKE		WIDTH COIL W. LINEARITY COIL L		VERTICAL OUTPUT 0 VERTICAL BL. OSC B	
	MFRS. PART #	RAM #	MFRS. PART #	RAM #	MFRS. PART #	RAM #	MFRS. PART #	RAM #
FIRESTONE (Cont'd). 138114A, 117, 118, 122, 124, 125: 105-2-81700, -82000, -82001, -82100	A10136	X075	A28278-3 A28322-1D A28323-1D	Y70F08 Y70F08	A28279-1(W) A28318-1(W)D A28292(L)	201R1A 201R13A 201R3A	A10152-1(0) A10106(B)	V312 V405
138114, 117, 118, 125, L, 131, 134, 136, 148: 105-3-81706, -82110, -82106, -82114; 105-7-82110	A10136 A10137	X075 X075	A28328 A28330D	Y70F08 Y70F08	A28279-1(W) A28318-1(W)D A28292(L)	201R1A 201R13A 201R3A	A10152(0) A10106(B)	V312 V405
138121: 105-2-82001	A10136	X075	A28322-1	Y70F08	A28279-1(W) A28292(L)	201R1A 201R15	A10152-1(0) A10106(B)	V312 V405
136127, 128, 129, 130, 132, 135, 145, 146: 334-3-MS39A, B, MS39B, 15A6A, -MS31D	53X330	X050	9A2274	Y70F14	9A2183(W) 9A2262(L)	201R1A 201R15	51X156(0) 43X8(B)	V312 V402f
13-6-134, -147, -148, -156, -161, -162, -163: 105-4-82210, -75301, -82204, -81786, -82209	12000082 12000092	X075 X075	16000361 16000381	Y70F08 Y70F08	A28318-1(W) A28279-1(W) A28292(L)		10000133(0) 10000061(B)	V312 V405
138131, 152, A, 153, 155: 105-3-10210, -10240, -10270, -10272	PC10155	X094	PC28326	Y90F12/47	PA28318(W) PB28327(L)	201R13A 201R15	PC10154-1(0) PC10115-6(0)D PB10106-2(B)	V308 ■ V405
13-6-150: 334-3-GM4A, B	53X338		9A2327-2	Y70F14/43	9A2292(W) 9A2293(L)		51X156(0) 54X9(B)	V312
13-6-168, -169, -170, -171, -172, -173, -174, -175: 334-4-AM49A, -AM54A	53X342 53X347	X110 X110	9A2334-1, -3	Y70F14			51X168(0) 54X10(B)	V312 ■ V405
13-6-165, -166, -167: 280-4-17T18, -21T19, AGH	12E-23939		13M-23755 201-23744	Y70F08/43 Y70F08/43			12E-23726(0)	V313
13-6-176, -177, -178, -179, -180, -181: 334-4-AM50A, -AM51A	53X330 53X346	X110 X110	9A2334-1	Y70F14	9A2183(W) 9A2262(L)	201R14D 201R15	51X168(0) 54X10(B)	V312 ■ V405

ⓐ 17-Inch Sets ⓑ 20-Inch Sets ⓒ Code 105-2-700140 ⓓ Code 105-2-82000 ⓔ Code 105-2-82100 ⓕ Code 105-3-82104
 ⓖ Code 105-3-10270 (13G156) ⓗ Code 307-0-9123A, BC13G44, 45, 46, 47 ⓘ Supercedes 53X326 ⓙ Use Original Slider and Core

FLEETWOOD 600, 610	T601	X080	L601	Y70F20/43	L602(W) L604(L)	201R16 201R15	T501(0)	V312
700, 710	T601	X094	L601	Y90F12/47	L602(W) L604(L)	201R16 201R15	T501(0)	V312
FREED 1610: 55, 56, 68, 77	TR-A36	X077	TR-A34	Y70F08	LC-A21(W) LC-A20(L)	201R4 201R5		
1620A, B: 54, 55, 56, 68	TR-B41	X045	TR-A40	Y70F08	LC-A23(L)	201R10 201R10		
1620C: 54, 55, 56, 68	TR-B41	X045	TR-A40	Y70F08	LC-A23(L)	201R14 201R10	TA-85(0) TA-89(B)	V304 V405
1900: 101, 2, 3, 4	TR-B41	X045	TR-A40	Y70F08	LC-A23(L)	201R14 201R10		
1916-16, 1916-18: 54, 55, 56, 68, 101, 103, 104, 106	735-001	X045	735-001.2	Y70F08	785-002(W) 785-001(L)		732-002(0) 730-002(B)	
700-120: 110, 111, 112	A10104, 8 80-265	X066 X050	A28278-2 83-669	Y70F08 Y70F08/43	A28279(W) A28292(L) 10-551(W) 10-561(L)	201R1A 201R3A 201R10 201R10	A1350-2(0) A10106(B) 80-261(0) 80-257(B)	V304 ■ V401 ■ V309f V403
GENERAL ELECTRIC 800A, B, C, D, 805, 806, 807, 809	RT0-065		RLD-010 RLD-013	Y70F08 Y70F08	RLD-011(W) RLD-014(W) RLD-019(W) RLD-012(L) RLD-020(L)	201R10 201R3A 201R13A	RT0-064(0)	V305
801	RT0-032 RT0-059D RT0-071D	X045 X045	RLD-001	Y70F08	RRC-034(W) RLD-017(W)D		RT0-016(0)	V301 ■
802, 803	RT0-032 RT0-048D RT0-060D RT0-071D	X045 X066 X045 X045	RLD-001	Y70F08	RLD-017(W) RRC-034(W)		RT0-016(0)	V301 ■

MANUFACTURER MODEL NUMBER AND CHASSIS	HORIZONTAL OUTPUT		DEFLECTION YOKE		WIDTH COIL W/ LINEARITY COIL		VERTICAL OUTPUT (O) VERTICAL BL. OSC. (B)	
	MFRS. PART #	RAM #	MFRS. PART #	RAM #	MFRS. PART #	RAM #	MFRS. PART #	RAM #
GENERAL ELECTRIC (Cont'd)								
810	RTO-054 RTO-071	X045 X045	RLD-006	Y70F08	RLD-004(W) RLD-014(W)⊕ RLD-005(L) RLD-014(L)⊕	201R10 201R10 201R15 201R10	RTO-053(0)	V301■
811, 814, 820, 830, 840	RTO-058⊕ RTO-068⊕ RTO-071	X045 X045 X045	RLD-006 RLD-007⊕ RLD-010⊕	Y70F08 Y70F08 Y70F08	RLD-004(W) RLD-014(W)⊕ RLD-005(L) RLD-014(L)⊕	201R10 201R10 201R15 201R10	RTO-053(0)	V301■
817, 821, 8	RTO-065 RTO-068⊕ RTO-071	X045 X045 X045	RLD-010 RLD-015⊕	Y70F08 Y70F08	RLD-014(W) RLD-019(W) RLD-012(L) RLD-014(L) RLD-020(L)	201R10 201R3A 201R10 201R10 201R13A	RTO-064(0)	V305
815	RTO-068	X045	RLD-013	Y70F08	RLD-014(W) RLD-014(L) RLD-021(L)	201R10 201R10 201R3A	RTO-074(0) RTM-007(B)	V301■
818	RTO-071	X045	RLD-015	Y70F08	RLD-018(W) RLD-020(L)	201R10 201R13A	RTO-064(0)	V305
835	RTO-076	X045	RLD-006	Y70F08	RLD-004(W) RLD-005(L)	201R10 201R15	RTO-061(0)	V305
901, 910	RTO-042		RLD-003		RLM-012(W)		RTO-043(0) RTL-070(B)	
10C101, 10C102, 10T1, 10T4, 10T5, 10T6, 12C101, 12C102, 12C105, 12T1	RTO-068⊕ RTO-071 RTO-076⊕	X045 X045 X045	RLD-013	Y70F08	RLD-018(W)⊕ RLD-019(W) RLD-020(L)	201R10 201R3A 201R13A	RTO-064(0)	V310
12C107, 8, 12C108, 8, 12C109, 8, 12T3, 8, 12T4, 8	RTO-076	X045	RLD-013	Y70F08	RLD-014(W) RLD-020(L)	201R10 201R13A	RTO-064(0)	V305
12K1	RTO-076	X045	RLD-013	Y70F08	RLD-018(W) RLD-020(L)	201R10 201R13A	RTO-064(0)	V305
12T7	RTO-076	X045	RLD-013	Y70F08	RLD-014(W) RLD-020(L)	201R10 201R13A	RTO-064(0)	V305
14C102, 14C103, 14T2, 14T3, 16C103, 16C113, 16C116, 16C117, 16K1, 16K2, 16T3, 17C101, 17C102	RTO-090	X045	RLD-025		RLD-014(W) RLD-016(L)	201R10 201R13A	RTO-064(0)	V305
16C110, 16C111, 16C115, 16T1, 16T2, 16T4	RTO-085 RTO-090⊕	X045	RLD-024 RLD-025⊕		RLD-014(W) RLD-016(L)	201R10 201R13A	RTO-064(0)	V305
17C103, 17C104, 17C105, 17C107, 17C108, 17C109, 17C112, 17C114, 17T1, 17T2, 17T3, 17T4, 17T5, 17T6	RTO-090	X045	RLD-025		RLD-014(W) RLD-016(L)	201R10 201R13A	RTO-064(0)	V305
17C110, 17C112	RTO-101	X051	RLD-030⊕ RLD-037		RLD-031(W) RLD-027(L)	201R14 201R3A	RTO-102(0) RTO-110(0)⊕	
17C113, 17C115, 17C117, 17C120, 17T7, 17T10	RTO-114	X051	RLD-040 RLD-045⊕		RLD-014(W) RLD-016(L)	201R10 201R13A	RTO-064(0)	V305
17C125, 20C107, 21C201, 21C202, 21C204, 21C206, 21C208, U, 21C210, 21C214, 21T1, U, 21T3, 21T6	RTO-125 RTO-125⊕ RTO-127⊕ RTO-130⊕		RLD-042⊕ RLD-050⊕		RLD-049(W) RLD-048(L)	201R3A 201R3A	RTO-121(0)	
17C127, 17T17, 21C115, 21C116, 21C117, 21C120, 21C121, 21T10, 21T11, 21T12	RTO-141	X080	RLD-052		RLD-058(W) RLD-057(L)	201R5A	RTO-142(0)	
17T10, 17T11, 17T12, 21T2	RTO-116	X045	RLD-045		RLD-014(W) RLD-016(L)	201R10 201R13A	RTO-117(0)	V308■
17T20, 21T22, T23, T24, T25, 34; 21C103, C104, C105	RTO-149	X080	RLD-052		RLD-058(W) RLD-060(L)		RTO-154(0)	
19C101	RTO-088	X045	RLD-023		RLD-018(W) RLD-019(W) RLD-014(L)	201R10 201R3A 201R10	RTO-074(0) RTM-007(B)	V301■ V402
20C105, 20C106, 20T2, 21C200, 21T2, 21T4, 21T5	RTO-116	X045	RLD-041		RLD-014(W) RLD-016(L)	201R10 201R13A	RTO-117(0)	V308■
17T14-T16, 21T17, -T18	RTO-161		RLD-052		RLD-066(W)	201R16	RTO-162(0)	V307⊕
21T26-T27; 21C240, 21C241, 21C242, 21C243, 21C244, 21C245	RTO-150		RLD-052		RLD-058(W) RLD-060(L)		RTO-159(0)	V314
21T30, -T31, 21C350-C351	RTO-151, -3		RLD-059		RLD-065(W) RLD-060(L)	201R10	RTO-155(0) RTL-165(B)	V314 V405
20C150, 20C151	RTO-109	X051	RLD-039		RLD-028(W) RLD-027(L)	201R10 201R3A	RTO-097(0) RLC-108(B)	V305■ V402■

MANUFACTURER MODEL NUMBER AND CHASSIS	HORIZONTAL OUTPUT		DEFLECTION YOKE		WIDTH COIL (W) LINEARITY COIL (L)		VERTICAL OUTPUT (O) VERTICAL BL. OSC (B)	
	MFRS. PART #	RAM #	MFRS. PART #	RAM #	MFRS. PART #	RAM #	MFRS. PART #	RAM #
GENERAL ELECTRIC (Cont'd) 21C225-C226-C227-C228-C229-C230-C231-C232-C233, 21T10-T21	RTO-13 [ⓐ]	X080	RLD-052		RLD-053(W)		RTO-136(O)	V314
	RTO-146 [ⓐ]	X080			RLD-058(W) [ⓐ]			
21T7, 21TB	RTO-131	X080	RLD-052		RLD-053(W)	201R10	RTO-136(O)	V314
17C127, 17T15-17, 21C114-C115-C116-C117-C119, 21C120-C121, 21T10-T11-T12-T14-T15-T19	RTO-141	X080	RLD-052		RLD-058(W)	201R5A	RTO-142(O)	V314
24C101	RTO-104	X051	RLD-034		RLD-033(W)	201R14	RTO-097(O)	V305 [ⓐ]
					RLD-027(L)	201R16	RTO-103(B)	
15C1100 [ⓐ]	RTO-15B		RLD-064		RLD-062(W)			
					RLD-063(L)			

[ⓐ] Alternate [ⓑ] Late Models [ⓒ] 21-inch Sets (Yoke RLD-050) [ⓓ] Mod. 803 [ⓔ] Mod. 814,820 [ⓕ] Mod. 820,830 [ⓖ] Mod. 830,840 [ⓗ] Mod. 12C101, 12C102, 12C105 [ⓓ] Mod. 16T4 [ⓔ] Mod. 17C125, 20C107 (Yoke RLD-042) [ⓕ] Mod. 17C125, 20C107 (Yoke RLD-050) [ⓖ] Mod. 17T10 [ⓗ] Used with 21P4 CRT [ⓓ] Used with 21EP4A CRT [ⓔ] Used with RTO-125, -127 Flybacks [ⓕ] Used with RTO-129, -130 Flybacks [ⓖ] Used with RTO-071 Flyback [ⓗ] Used with RTO-110 V.O.T. [ⓓ] Used with RLD-030 Yoke [ⓔ] Omit 470K RES, 1220 MMF Cap. [ⓕ] Parts Used Only With RTO-146 FLYBACK [ⓖ] Parts Used Only With RTO-131 Flyback [ⓗ] Color Set

HALLICRAFTER	MFRS. PART #	RAM #	MFRS. PART #	RAM #	MFRS. PART #	RAM #	MFRS. PART #	RAM #
	T60, T68	55C117	X036			51B1072(W)	201R1A	55C114(O)
161, T64, T67, T69; 509, 510, 511, 512, C, 513, 515, 520E, 521E, 524	55C113 [ⓐ]	X036	53B140 [ⓐ]	Y70F08	51B1072(W)	201R1A	55B115(B)	V405
	55C121 [ⓐ]	X036			51B1071(L)	201R3A	55C114(O)	V301
	55C121-1 [ⓐ]	X036			51B1071(L)	201R3A	55B126(O)	V301
	55C125 [ⓐ]	X036					55B115(B)	V405
518, 519, 520, 521, 524, 600, 601, 602, 603, 604, 680, 681, 690, 715, A, 716, 730, 731, 740, 741	55C133	X119	53B180	Y70F08	51B1072-1(W)	201R1A	55A128(O)	V301 [ⓐ]
605, 606	55C143	X119	53C194	Y70F08	51B1071(L)	201R3A	55B115(B)	V405
732, 733, 832, 833	55C154	X120	53B180	Y70F08	51B1071(L)	201R3A	55B115(B)	V405
			53B140 [ⓐ]	Y70F08	51B1232(L)	201R3A	55A128(O)	V301 [ⓐ]
745, 747, 748, 750, 751, 760, 761,	55C144	X119	53B190	Y70F12	51B1072-1(W)	201R1A	55B128(O)	V301 [ⓐ]
	55C149 [ⓐ]	X032	53C195		51B1205(L)	201R15	55B115-A(B)	V405
800 Series: 805, 806, 810, C, 17810M, 17905, 20872	55C156-E	X064	53C203- [ⓐ]	Y70F30	51B1277(W)	201R5A	55A166(O)	V301 [ⓐ]
	55C156 [ⓐ]	X064	53A212 [ⓐ]	Y70F30	51B277-B(W) [ⓐ]	201R5A	55B128(O) [ⓐ]	V301 [ⓐ]
	55C17 [ⓐ]	X064	53C218 [ⓐ]	Y70F30	51B1438(W) [ⓐ]	201R3A	55B128-B(O) [ⓐ]	V301 [ⓐ]
			53C217	Y70F30	51B1335(L)	201R3A	55C115(B)	V405
800 Series: 811, 815, 818, 820, 821, 822, 860, 861, 870, 871, 880, 17804C, 17811H, 17812, 17813, 17814, H, 17815, H, 17816, 17817, 17819, 17824, 17825, 17836, 17848, 17849, 17850, 17860, H, 17861H, 20882, 20990, S, 20994	55C149	X0743	53C197	Y70F14/43	51B1330(W)	201R10	55B151(O)	V312
	55C152 [ⓐ]	X064	53C201 [ⓐ]	Y70F14/43	51A1261-C(W) [ⓐ]	201R3A	55C115(B)	V405
	55C152-B [ⓐ]	X064	53C197-B [ⓐ]	Y70F14/43	51A1261(W) [ⓐ]	201R3A		
					51B1277(W)	201R12		
					51B1331(L)	201R12		
					51B1243-C(L) [ⓐ]	201R12		
					51B1243(L) [ⓐ]	201R13		
800, 900 Series: 17810C, M, MG, 20872	55C156 [ⓐ]	X064	53A212	Y70F30	51B1438(W)	201R3A	55A166(O)	V308
	55C17 [ⓐ]	X064	53C218	Y70F30	51B1335(L)	201R3A	55B128(O)	V301 [ⓐ]
900 Series: 17814, 20882	55C149	X0743	53C197	Y70F14/43	51B1330(W) [ⓐ]	201R10	55B151(O)	V312
					51B1341(W) [ⓐ]	201R10	55C115(B)	V405
					51B1331(L) [ⓐ]	201R12		
					51B1340(L) [ⓐ]	201R12		
900, 1000 Series: 14808, B, 17824A, 17906, 17908, 17922, 17930, 17931, 17932, 17933, 17934, 20823, B, C, 21923, 21928, 21940, 21980	55C149	X0743	53C197	Y70F14/43	51B1330(W)	201R10	55B151(O)	V312
	55C152 [ⓐ]	X064	53C201 [ⓐ]	Y70F14/43	51B1341(W) [ⓐ]	201R10	55C115(B)	V405
			53C237 [ⓐ]	Y70F14/43	51B1331(L)	201R12		
1000 Series: 17905	55C156 [ⓐ]	X064	53C212	Y70F30	51B1340(L) [ⓐ]	201R12		
	55C17 [ⓐ]	X064			51B1335(L)	201R3A	55A166(O)	V308
					51B1438(W)	201R16	55B128(O)	V301 [ⓐ]
C1000D, W1000D, X1000D, Z1000D, A1100D, F1100D, G1100D: 1000, 1001, 1003, 1004, 1005, 1006, 1007, 1015, 1017, 1018, 1019, 17829	55C149	X0743	53C237 [ⓐ]	Y70F14/43	51B1489(W) [ⓐ]	201R16	55B151(O)	V312
	55C152	X080	53C201 [ⓐ]	Y70F14/43	51B1330(W) [ⓐ]	201R10	55B189(O)	V312
	55C180				51B1331(L) [ⓐ]	201R12	55C189(O)	V312
					51B1340(L) [ⓐ]	201R12	55C115(B)	V405
					51C1470(L) [ⓐ]	201R15		
L1100D: 1067, 1068	55C208		53C277	Y90F12/47	51B1637(W)	201R3A	55C207(O)	V308 [ⓐ]
					51C1470(L)	201R15	55B190(B)	V405

MANUFACTURER MODEL NUMBER AND CHASSIS	HORIZONTAL OUTPUT		DEFLECTION YOKE		WIDTH COIL W LINEARITY COIL L		VERTICAL OUTPUT O VERTICAL BL OSC B	
	MFRS. PART #	RAM #	MFRS. PART #	RAM #	MFRS. PART #	RAM #	MFRS. PART #	RAM #
HALLICRAFTER (Cont'd) 12000 Preceded by A, D, F, G, J, K, L, P, R, T, W, X, Y, Z, BZ: 1010P, 1012P, 1026P, 1013C, 1022C, 1027C, 1051P, 1052P, 1053P, 1054P, 1055C, 1056C, 1057-U, 1058-U, 1060C, 1061C, 1062C, 1063C	55D193 [ⓐ]	X118	53A271 [ⓐ]				55C192(0)	V306 [ⓐ]
	55D197 [ⓐ]	X118	53C263 53A271 [ⓐ] 53A268 [ⓐ] 53A271	Y70F25/3	Y70F25/3		55B190(B)	V405
12000 Preceded by AG, AH, AK, AJ, AL, AM, AP, AQ, AR, AX, AY, AZ, BA, BN, BQ: 1050, A, 1059, 1071AV, 1072, A, 1073A, 1074, A, AT, 1075A, AT, 1076A, 1077, AV, 1078, A, AT, 1079A, AV, 1081A, B, C, D, E, 1082, 1085, B, C, D, A, E, 1086, 1088, A, B, C, D, 1089, A	55C193 [ⓐ]	X118	53A271	Y70F25/3			55C192(0)	V306 [ⓐ]
	55D197 [ⓐ]	X118	53A271	Y70F25/3			55B190(B)	V405
13000 Prec. By AI, BI, CI, DI, EI, FI, JI, KI: 17T100B, M, 101B, M, 110B, M, 111B, M, 170B, M, 171B, M; 21K140B, M, 141B, M, 150M, 151M; 21T120B, M, 121B, M, 160B, M, 161B, M	55D197	X118	53A271	Y70F25/3	51B1788(W)	201R15	55C192(0)	V306 [ⓐ]
	55D223	X118	53C320 53C303	Y70F25/3 Y70F25/3	51B1835(W)	201R5A	55B190(B)	V405
14000 Prec. By A, B, C, D: 21K200B, 201B, 210M, 211M, 220B, 221B, 230M, 231M; 24K240B, M, 241B, M, 250B, M; 27K251B, M	55D216 [ⓐ]	X094	53C305	Y70F18/43	51B1637(W)	201R3A	55A217(0)	V313
	55D219	X0807	53D31 [ⓐ]	Y90F12/47	51A1470(L)	201R15	55C199(0) 55B218(B) 55B221(B)	V313 V405 V405
16000 Prec. By A, B: 17T310B, M, W; 21K330B, M; 21T320B, M, W	55D25 [ⓐ]	X123	53D324	Y90F19/43			55C249(0)	V306 [ⓐ]
	55D253 [ⓐ]	X123	53D325	Y90F19/43			55C254(0) 55B250(B)	V405 V315
17000 Prec. By A: 21K331B, M, 341B, M; 21T321B, M, W	55B253 [ⓐ]	X123	53D325	Y90F19/43			55C260(0)	V315
	55B266 [ⓐ]	X123					55B250(B)	V405
18500 Prec. By A:	55D270	X123	53D325	Y90F19/43			55C260(0)	V315
							55B250(B)	V405

- ⓐ Alternate - Mod. 17B10M, 17905, 20872 ⓑ Alternate - Mod. 17B10M, 17905 ⓒ Alternate ⓓ T61, T67 ⓔ Mod. 512C,
513, 515, 520E, 521E, 524 ⓕ Mod. 810A ⓖ Mod. 810-A, 811, 815, 820, 860, 861 ⓗ Mod. 810A, 815, 822, 860, 861, 20990
ⓓ Mod. 811, 818 ⓓ Mod. 17B10M ⓓ Mod. 17905 ⓓ Mod. 20872 ⓓ Mod. 20990, S, 2094 ⓓ Mod. 21980 ⓓ Ch. C1000D,
A1100D, F1100D, G1100D ⓓ Ch. W1000D, X1000D, A1100D, F, G1100D ⓓ Ch. W1000D, X1000D, Z1000D ⓓ Ch. Z1000D ⓓ 17-Inch
Sets ⓓ 20-Inch Sets ⓓ 20, 21-Inch Sets ⓓ 21-Inch Sets ⓓ For 25AV H-Output Tube ⓓ For 25B06 H-Output
Tube ⓓ Slide Rod Adjustment ⓓ Screwdriver Adjustment ⓓ Superseded By 53A212 ⓓ Supercedes 53B180
ⓓ Do not use #1 Tap ⓓ Mod. 747, 748 ⓓ 24-, 27-Inch Sets ⓓ Use 201R14 Sec. For AGC ⓓ 17-Inch Sets
ⓓ 21-Inch Sets ⓓ Run 1 ⓓ Run 2

HOFFMAN	MFRS. PART #	RAM #	MFRS. PART #	RAM #	MFRS. PART #	RAM #	MFRS. PART #	RAM #
	135, 141, 145: CT-800, -801, -802, -816, -817, -900, -901, -902	5102	X036	T5216	Y70F08	T5212(W) T5211(L)	201R1A 201R10	T5105(0) T5214(B)
140, 142, 148, 150, 154, 155, 158: 600, 601, 610, 612, 613, 616, 620, 621, 622, 623, 841, 842, 843, 914, 915, 916, 921, 930, 931, 932	5134 5145	X036 X122	5293	Y70F08	5316(W) 5294(L)	201R1A 201R3A	5129(0) 5127(B)	V304 V402
	143, 146, 147: 820, 821, 822, 826, 827, 828, 912, 913	5123 5145	X036 X122	5293	Y70F08	5290(W) 5291(L)	201R1A 201R12	5129(0) 5127(B)
151, 152, 153: 830, 831, 832, 836, 837, 840, 850, 851, 852, 856, 857, 858, 917, 918, 920, 936, 937, 938		5135	X077	5293	Y70F08	5317(W) 5291(L)	201R13A 201R12	5129(0) 5127(B)
	156, 157, 164: 847, 848, 849, 860, 861, 862, 886	5139 5145	X122 X122	5324	Y70F10	5325(W) 5326(L)	201R13A 201R12	5140(0) 5127(B)
159, 160: 630, 631, 632, 633		5144 [ⓐ] 5149 [ⓐ]	X122 X122	5324	Y70F10	5317(W)	201R13A	5140(0) 5127(B)
	170, 171, 173, 176: 634, 635, 866, A, 867, A, 868, A, 870, 871, 872, 876A, 877A, 878, A, 890, 891, 892	5144 [ⓐ] 5149	X122 X122	5389 [ⓐ] 99655	Y70F25 Y70F25	5317(W)	201R13A	5140(0) 5127(B)
172, 174, 176: 950, A, 951, A, 952, A, 960, 961, 962		5146 [ⓐ] 5149	X122 X122	5389 [ⓐ] 99655	Y70F25 Y70F25	5317(W)	201R13A	5140(0) 5127(B)
	180, 183, B, M, T, 184: 636, B, 637, B, 638, 639, 880, 881, 882, 883, 884, 885, 886, B, 887, B, 953, 954, 955, 996, 997, 998; 20B102, 20B501, 20M101, 20M502, 20P502	5148 [ⓐ] 5149 [ⓐ] 5147	X122 X122 X122	5389 [ⓐ] 99655	Y70F25 Y70F25	5317(W)	201R13A	5140(0) 5127(B)
185, 186: 893, 894, 895, 896, 963, 964, 965		5149	X122	5389 [ⓐ] 99655	Y70F25 Y70F25	5317(W)	201R13A	5140(0) 5127(B)
	187B, C: 248707, 24M708	5156	X074	9714	Y70F14	5423(W)	201R16	5154(0) 5127(B)

MANUFACTURER MODEL NUMBER AND CHASSIS	HORIZONTAL OUTPUT		DEFLECTION YOKE		WIDTH COIL W) LINEARITY COIL (L)		VERTICAL OUTPUT V.O. VERTICAL BL. OSC B		
	MFRS. PART #	RAM #	MFRS. PART #	RAM #	MFRS. PART #	RAM #	MFRS. PART #	RAM #	
HOFFMAN (Cont'd)									
190, B, 191: 7B104, 7B303, 7M103, 7M302, 7P105, 7P304, 21B107, 21B301, 21B504, 21B701, 21B901, 21M106, 21M300, 21M503, 21M700, 21M900, 21P108, 21P505, 21P702, 21P902	5155 5160	X080D X080	9712 5389 9729		Y70F20/43 Y70F25 Y70F20/43	5317(W) 5422(L)	201R13A 201R12	5157(0)	V312
191B, 192, 194: 20B102F, 20M101F, 21B107, 21B301, 21B504, 21B701, 21B901, 21M106, 21M300, 21M503, 21M700, 21M900, 21P108, 21P505, 21P702, 21P902	5160	X080	9729 9761		Y70F20/43 Y70F25/3	5423(W) 5464(W) 5422(L)	201R16 201R16 201R12	5157(0)	V312
194, B, M, T, 195, 196, M, T, 197: 21M115, 21B116, 21M308, 21B309, 21P310, 7M124, 7B125	5160 5033, -2D	X080	9729 9748D		Y70F20/43 Y70F10/43	5457(W) 5422(L)	201R15 201R12 201R16	5157(0)	V312
200, 201, 202, 210M, 211, M, 212M, 213, M: 7B1108, 7B113, B, 7M109, B, 7M112, B, 7P111B, 7P114B, 21B122, 21B306B, 21B507, 21B508, 21B904, 21M121, 21M305, B, 21M506, 21M903, 21P123, 21P307B, 21P905	5035 5165D 5168D	X080 X118 X118	9753 9747		Y70F25/3 Y70F25/3	5464(W)	201R16	5164(0) 5177(0) 5176(B) 5162(B)	V306D V405 V405
300-17, -21, 375-21, 405-21, 406-21: 7M140, 7B141, 21M143, 21B144, 21P145, 21M160, 21B161, 21M317, 21B318, 21M330, 21B331, 21M333, 21P332, 21B334, 21M718, 21B719, 21P720, 21M910, 21B911, 21P912	5184	X080	9729		Y70F20/43	5464(W)	201R16	5157(0)	V312
301-17, -21, 302: 7M156, 7B157, 21M153, 21B154, 21M336, 21B337	5197	X080	5198 9729		Y70F25/3 Y70F20/43			5194(0) 5176(B)	V306D V405
303-17, -21: 7M169, 7B170, 21M172, 21B73, 21M175, 21B176, 21P177	5197	X080	99723					5106A(0) 5176(B)	
306-2, 307-17P, 308-21:	5197 5125A	X080	5124A			4972(L)		5106A(0) 5176(B)	V405
400-21, 401-21: 21M146, 21B147, 21P148, 21M320, 21B321, 21P322, 21M721, 21M722, 21M723, 21P724	5184	X080	9729		Y70F20/43	5464(W)	201R16	5157(0)	V312
402-24, 403-24: 24M150, 24B151, 24P152, 24M725, 24B726, 24P727	5187	X084D	5189		Y90F12/47	5464(W)	201R14	5186(0)	V302
407-21, 408-21, 410-24: 21M178, 21B179, 21P180, 21M345, 21B346, 21M351, 21B352, 21P353, 21M728, 21B729, 21P730, 21P731	5184	X080	9729		Y70F20/43	5464(W)	201R16	5109A(0)	V312M
408-21N, B, 410-24, B: 21B352N, 21M351N, 21M728N, 21P353N, 21P731N, 21U208, N, 24B732, U, 24M354, U, 24P356, U, 24P733, U, 24U211, U	5118A 5132A	X094D X080	5121A		Y90F12/47	5571	201R10	5188-6	V302M

Ⓢ Superceded by 5149 Ⓢ Ch. 160 Ⓢ Ch. 180, 183, B, M, T Ⓢ Superceded by 99655 Ⓢ Ch. 197 Ⓢ Use 201R14(W) Secondary For AGC
 Ⓢ Ch. 200 Ⓢ Ch. 201 Ⓢ Jump Pins 7-8 Ⓢ Ch. 307-17P

JACKSON	MFRS. PART #	RAM #	MFRS. PART #	RAM #	MFRS. PART #	RAM #	MFRS. PART #	RAM #
5000, 5050, 5200TV, 5250CTV, 5600, 5650TV	F-J-1	X036	Y-J-1	Y70F08	W-J-1(W) L-J-1(L)	201R1A 201R3A	0-J-1(0)	V305
10T, 12, 16T, 12C, 16C, 312, 316, 412, 416	12F345, 50	X036	13M-347	Y70F08	13M-348(W) L-J-2(L)	201R1A 201R3A	12C351(0)	V305M
Code E: 14T, 16C, T, 26C, T; 17XC, XT, 20XC, XT	12C345 12F598D 12F450D	X036	13M-347D Y-J-2 Ⓢ	Y70F08 Y70F10/43	13M-348(W)D L-J-3(L)Ⓢ	201R1A 201R13A	12C351(0)	V305M
114, 116, 117, 120B: 1400T, 1700C, T; 2000C, 3170, 5120C; 29C	B1675-13A	X047	81450-9	Y70F08	A1486-10(W)	201R1A	A1652-13(0)	V305M
114, 116, 117, 120M: 1700T, 2000C, CD; CD8	B1675-13A	X047	81452-9	Y70F08	A1486-10(W)	201R1A	A1652-13(0)	V305M
217, 220, 221A, B	B1676-13A	X047	81452-9	Y70F08	A1486-10(W)	201R1A	A1652-13(0)	V305M
317, 320, 321, 324A	C1677-13A	X075	81452-9	Y70F08	A1486-10(W)	201R1A	A1662-13(0) A1663-13(B)	V308 V405

Ⓢ Sets Using 14-inch CRT Ⓢ Sets Using 16-inch CRT Ⓢ Sets Using 10, 12-inch CRT Ⓢ Sets Using 14, 16, 17-inch CRT

JEWEL	MFRS. PART #	RAM #	MFRS. PART #	RAM #	MFRS. PART #	RAM #	MFRS. PART #	RAM #
17CW7, 17C9, 17TL7, 17TW7, 17T9, 17TW9, 20CW7, 20TL7, 20TW7, 21CW7, 21C9, 21TL7, 21TW7, 21T9, 620CW7, 621CW7	91T5A, B	X053	64T4	Y70F08 Y70F10/43	63T20(W) 63T22(L)	201R4 201R3A 201R1A	91T3(0) 91T6(B)	V309 V405

MANUFACTURER MODEL NUMBER AND CHASSIS	HORIZONTAL OUTPUT		DEFLECTION YOKE		WIDTH COIL W/ LINEARITY COIL 'L		VERTICAL OUTPUT O VERTICAL BL. OSC 'B	
	MFRS. PART #	RAM #	MFRS. PART #	RAM #	MFRS. PART #	RAM #	MFRS. PART #	RAM #
KAYE HALBERT								
012, 014, 024, 044, 045, 046, 074, 076, 077, 114DX, 122, 146A, 424, 425A, 426A, 428, 714, 724, 744, 745, 746, 777, 914, 263, 394, 395, 396	C2120 C-2121 C-2123D	X074 X074 X094	H-6606 H-6610	Y70F14/43		201R15 201R10 201R12 201R15	C-2302(0)D C-2306(0) C-3102(B)	V302 V312 V401
033, 034, 035, 036, 037, 231, 232, 733, 234, 235, 236, 237, 238, 239, 240, 241, 731, 733, 734, 735, 736, 737	C-2112		H-6604	Y70F10/43		201R13A 201R12	C-2304(0) C-3102(B)	V305 V401
7C, 10C, 231, 242, 243, 253, 263, 921, 1621, C-024, DX253, F243, 426	C-2112D C-2120D C-2122D C-2123D	X074 X074 X094	H-6606D H-6606 H-6610D	Y70F10/43 Y70F14/43	H-3602(W)D H-3604(W) H-4102(L)D H-4104(L) H-4106(L)D	201R13A 201R16 201R12 201R12 201R15	C-2302(0)D C-2304(0)D C-2306(0) C-3102(B)	V302 V314 V312 V401

ⓐ Ch. 253, DX ⓑ Ch. 263, 394, 395, 396 ⓒ Used with C-2121 Flyback ⓓ Mods. 242, 231 ⓔ Mod. 253 ⓕ Mod. 263 ⓖ Ch. 243;
Mods. 314, 322, 324, 244, 354, 364, 374, 384

MACY 260 Series	ET-104	X032		Y70F08		201R1A 201R3A		V301 V401
16CD, 316, 816-3CR	T109	X077	DY4, 5	Y70F08	L201R4(W) L201R3(L)	201R4 201R3A	T107(0) T104(B)	V303 V403
16TR, 190D, CX, 819	T111	X045	DY-6	Y70F14/43	LM77J4-3(W) LM77J4(L)	201R14 201R10	T112(0) T104(B)	V305 V403
TYG AR14L, 17L, CD, CF, CRR, RDG, RD R; 20 CD, TR; 203D, 204CAF, 17CR, RO, 114, 516, 816-304, 920, 1000, 1001, 1920	T118	X045	DY-10	Y70F14/43	LM77J4-3(W) LM77J4(L)	201R14 201R10	T116(0)	V302
AR23TV1	55C113-1	X036	53B140	Y70F08	51B1072(W) 51B1071(L)	201R1A 201R3A	55B114(0) 55B115(B)	V301 V401
AR16, T-68	55C121-1	X036	53B140	Y70F08	51B1072(W) 51B1071(L)	201R1A 201R3A	55C114(0) 55B115(B)	V301 V401
MST12, 10C, 12X, 112, X, 312	T211T3	X036	DY-2	Y70F08	L201R1(W) L201R3(L)	201R1A 201R3A	T107(0) T104(L)	V303 V403
280RM, -V: Q2617, -1; 2619-1, 2620, -1, S-20, S210, 11, 12, 13; 2400		X066		Y70F08		201R4 201R5A	T116(B)(0)	V302
4620, HP-218M, 715B, M; HPC218M, 718, M, 22X, HPD21	T124A	X045	DY-127	Y70F14/43	LM7754-3(W) LM7754(L)	201R14 201R10		
TVJ Series: 74, 75, B, 76, C75, B, D73X, D72XB, 11L, 12, B, 13, C14, B, D11, O, D16B, XB, D19, D17B, X, D, 18M, C42, C43, D43, D42B, D29	T-124A	X045	DY-12M	Y70F14/43	L-M77J4-3(W) L-M77J4(L)	201R14 201R10	T-116, B(0)	V302
1000, B, 2400, 2426, B, 5620, -1	ET-106 ET-112A	ET-106 X065	EL-151A EL-173	Y70F08 Y70F20/43	EL-127(W) EL-181(W) EL-126(L) EL-160(L)	201R12 201R14 201R5A 201R15	ET-103(0) ET-110(0) ET-102(B) ET-115(B)	V305 V310 V401 V405
20F87, 21F87	C-9, 259	X051	C-9, 254-3	Y70F14	B-1, 533-1(W) B-1, 531(L)	201R3A 201R15	C-9, 228-5(0) C-9, 230-4(B)	V305 V402
MAGNOVOX								
Series 100: CT-214, -218, -219, -220, -221, -227, -224, -228, -232, -235, -236, -237, -238	320026-1	X036	360330-1	Y70F08	360334-1(L)	201R3A	320024-1(0) 320025-1(B)D 320030-1(B)	V301 V401 V402
CT-224, -235	320034-1	X036	360330-5	Y70F08	360331-1(W) 360334-1(L)	201R1A 201R3A	320024-2(0) 320030-2(B)	V301 V402
MCT-228	320026-1	X036	360338-1	Y70F08	360334-1(L)	201R3A	320033-1(0) 320032-1(B)	V301 V402
CT-232, -236, -239, -240, -244, -245, -246, -250, -251	320035-1	X077	360330-7	Y70F08	360357-1(W) 360358-1(L)	201R4 201R5A	320024-2(0) 320030-2(B)	V301 V402
Series 101: CT-247, -248, -249, -252, -253, -255	320042 320048D	X066 X066	360330-9 360464D 360462-1D	Y70F10/43 Y70F10/43 Y70F10/43	360331-2(W) 360334-1(L)	201R1A 201R3A	320040-1(0) 320056-1(0)D	V309 V309
Series 101: CT-257, -258, -259, -260	320050-1	X066	360462-4	Y70F10/43	360357-1(W) 360358-1(L)	201R4 201R5A	320040-1(0)	V301
Series 103: CT-212, -263, -264, -265, -266, -267, -268, -269, -283, -284, -285, -286, -287, -288, -289, -290, -291, -292, -293, -294, -298, -316	320055-1	X096	360462-5	Y70F10/43	360357-1(W) 360358-1(L)	201R4 201R5A	320056-3(0) 320030-6(B)	V309 V402
Series 102: CT-270, -271, -272, -273, -274, -275, -276, -277, -278, -279, -280, -281, -282, -298	320055-1	X096	360462-6	Y70F10/43	360357-1(W) 360358-1(L)	201R4 201R5A	320056-2, -4(0) 320030-6(B)	V309 V402

MANUFACTURER MODEL NUMBER AND CHASSIS	HORIZONTAL OUTPUT		DEFLECTION YOKE		WIDTH COIL W LINEARITY COIL L		VERTICAL OUTPUT O VERTICAL BL OSC B	
	MFRS. PART #	RAM #	MFRS. PART #	RAM #	MFRS. PART #	RAM #	MFRS. PART #	RAM #
MAGNOVOX (Cont'd) CT-297, -299	320055-1	X096	360496-1	Y70F10/43	360357-1(W) 360358-1(L)	201R4 201R5A	320056-3(O) 320030-6(B)	V309 V402
Series 104: CT-301, -302, -303, -304, -305, -306, -307, -308, -309, -310, -311, -312, -313, -314	320055-1	X096	360496-2-1 360496-1D 360515-2D	Y70F10/43 Y70F10/43 Y70F10/43	360357-1(W) 360358-1(L)	201R4 201R5A	320056-5(O) 320030-6(B) 320030-7(B)	V309 V402 V403
Series 105: CT-331, -332, -333, -334, -335, -336, -337, -338, -339, -340, -341, -342, -343, -344, -345, -346, -347, -348, -349, -350, -351, -352, -353, -354, -355, -356, -357	320061-1	X096	360516-1D 360526-1D	Y70F10/43 Y70F10/43	360521-1(W) 360517-1(L)	201R11 201R3A	320060-1(O)	V309
Series 105, N: CT-362, -363, -364, -365, -366, -367, -368, -369, -372, -373, -374, -375, -376, -377, -378, -379, -390	320061-1D 320061-3	X096 X096	360526-1	Y70F10/43	360521-1(W) 360517-1(L)	201R11 201R3A	320060-1(O)	V309
Series 106, M00: CT-381, -382; CU-382; CMU-382	360561-1 360594-1	X097 X097	360566-2 360556-4, -5	Y70F10/43 Y90F19/43	360534-1(W) 360533-1(L)	201R14 201R15	330034-1(O)	V314
Series 106C: CT-381C; CU-381C; CMU381C, CT382C, CU382C, CMU382C, CT383C, CU383C, CMU383C	360561-1 360560-2	X097 X097	360566-2	Y70F10/43	360570-1(W) 360533-1(L)	201R14 201R15	330034-1(O)	V314
Series 107, S00: CT-358, -359, -385, -386	360552-1, -2D 360593-2	X093 X093	360556-1D 360556-2D	Y90F19/43 Y90F19/43	360534-1(W) 360533-1(L)	201R14 201R15	330035-1, -2(O)	V314
Series 107: CT-358, -385; CU-358, -385; CMU-385, -358	360552-2	X093	360556-3	Y90F19/43	360534-1(W) 360533-1(L)	201R14 201R15	330035-1(O)	V314
Series 107D: CTA-358D, -385D; CUA-358D, -385D; CMUA-358D, -385D	360577-1	X093	360556-4	Y90F19/43	360570-1(W) 360533-1(L)	201R14 201R15	330035-2(O)	V314
Series 108A, B, 300: CT-, CU-, CMU-404, 402, 403, 404, 405, 406, 407, 410, 413, 418, 419, 420, 421, 422	360580-1 360594D	X098 X098	360587-1	Y70F18/43	360585-1(W) 360586-1(L)	201R16	320067-1(O)	V312
Series 250: CTA-, CMUA-435, AA; CTA-, CMUA-, 436, AA	360606-1		360587-3	Y70F18/43	360585-2(W)		320067-2(O)	V312
Series 350: CTA-, CMUA-, 455, AA; CTA-, CMUA-, 456, AA	360610-1	X098	360599-5	Y90F19/43	360585-1(W) 360609-1(L)	201R16	320067-1(O)	V312

Ⓚ Alternate Ⓛ Alternate - 16-Inch CRT Ⓜ CT-214, -218 Ⓨ CT-252 Ⓡ CT-252, -253 Ⓢ CT-311 Ⓣ CT-372, -373, -374 Ⓤ 360556-1
Yoke Used with 360552-1 Flyback ⓖ 360556-2 Yoke Used with 360552-2 Flyback ⓗ Side-mounted Chassis ⓘ Electrostatic Focus
Tube ⓙ Supercedes 360580-1

MAJESTIC	MFRS. PART #	RAM #	MFRS. PART #	RAM #	MFRS. PART #	RAM #	MFRS. PART #	RAM #
94 Series: 1042, G, GU, T; 1043, G, GU, T; 1244, G, GU, T, TX; 1245, G, GU, T, TX; 12T2, T3; 12C4, C5; 1142, 1143, 1344, 45, 48; 2042T, 43T; 1546, G, GU, T; 1547, G, GU, T; 1548, G, GU, T; 1549, G, GU, T; 16T2, T3; 16C4, C5; 1646, 47, 48, 49; D1092; 2546T, 47T, 48T, 49T; 946CB3023A, B, C; 16K1/63-3019; 05GCB3019A; 900-920, 920-940; 1000-1010, 1020-1030, 1120-1130, 1220-1230	C9.240-1 C9.220 C9.233	X036 X036 X036	C9.242 C9.209	Y70F10 Y70F08	C1.458(W) C1.459(L)	201R1A 201R13A	C9.228-3(O) C9.230-2(B)	V305 V402
97, 98 Series: 14C74, 16C74, 5, 19C6, C7; 6414, 614, 624, 914; 1671, 72, 73, 74, 75; 1900, 1974, 1975	C9.244	X045	C9.242 D9.246	Y70F10	C1.520(W) C1.520(L)	201R10 201R10	C9.228-4(O) C9.230-3(B)	V305 V401
99, 100, 101, A, B, C, D, 102, 103, 103A, 105 Series: 7P1, 2, 3, 10, 11; 7PR12, 13; 9P4, 5, 9PR8, 9; 17DA, GA, HA, J20, J21, J21B, 1K1, 1418, C, 142, 142B, 143, 160, B, 162, 163, 170, 173, 902, 903, 911; 1800B, 01, 1600, B, 05, B; 1610, B, 1700C, 01C, 1710	C9.253-1 C9.251	X051 X121	C9.254 C9.250	Y70F14 Y70F14	B1.533-1(W) B1.533(L)	201R3A 201R15	C9.228-5(O) C9.230-4(B)	V305 V402
106, A, 108, A, B, C, D, 109 Series: 70, 72, 73, 700, 701, 712, 715, 717, 718, 719; A70, 712, 17FA, JA, X; 800, 801, 802, 803, 804; 20K, KA, LA; 20UC, UT, UAT, X; 20FP88, 20FP89; 17T20, 17T21, 17T10, 17C30, 17C31; 24, 26, 32A, 33A, 36; 21F88, 21F89	C9.253-2	X051	C9.254-3	Y70F14	B1.533-1(W) B1.531(L)	201R3A 201R15	C9.228-5(O) C9.230-4(B)	V305 V402
106-6, 108-6, 110, 111 Series: 21P60, 21P61, 21P70, 21P71, 21P62, 21P63, 21T20, 21T21, 21C30, 21C31, 21C34, 21C35, 21D50, 21D51, 21D52, 21D53, 21D55, 21T20-PB2; 17T11, 17C32, 17C33	C9.259	X051	C9.254-3	Y70F14	B1.533-1(W) B1.531(L)	201R3A 201R15	C9.228-5(O) C9.230-4(B)	V305 V402
112, -2, 113 Series: 17C42, 17T38, 17T40, 21T40, 21C42	C9.259-2	X051	C9.254-3	Y70F14	B-1.533-1(W) B-1.531(L)	201R3A 201R15	C-9.228-5(O) C-9.230-4(B)	V305 V402
115, 116 Series: 21PR80, 21PR81, 21T22, 21C36, 21P46, 21P47, 21D54, 21D56, 21D59, 21P64, 21P65	C-9.259-1	X051	C-9.254-3	Y70F14	B-1.533-1(W) B-1.531(L)	201R3A 201R15	C-9.228-5(O) C-9.230-4(B)	V308 V402
117, 118, 121, 122 Series: 24C31, 24D51, U, 24P50, 24P51, 24C30, 24D50, U, 24P50, U, 24P51U, 24C30U, 24C31U	D-9.271	X094	D-9.270		B-1.533-2(W) B-1.531(L)	201R3A 201R15	D-9.376(O) C-9.230-4(B)	V307 V402

MANUFACTURER MODEL NUMBER AND CHASSIS	HORIZONTAL OUTPUT		DEFLECTION YOKE		WIDTH COIL W LINEARITY COIL L		VERTICAL OUTPUT O VERTICAL BL. OSC. B		
	MFRS. PART #	RAM #	MFRS. PART #	RAM #	MFRS. PART #	RAM #	MFRS. PART #	RAM #	
MAJESTIC (Cont'd) 119, 120 Series: 21PR80U, 21PR81U, 21T22U, 21C36U, 21P46U, 21P47U, 21D54U, 21D56U, 21D59U, 21P64U, 21P65U	D-9.259-1	X051	C-9.254-3	Y70F14	B-1.533-1(W) B-1.531(L)	201R3A 201R15	C-9.228-5(O) C-9.230-4(B)	V305 V402	
	123: 78, A, 79	C-9.253-2	X051	C-9.254-3	Y70F14	B-1.533-1(W) B-1.531(L)	201R3A 201R15	C-9.228-5(O) C-9.230-4(B)	V305 V402
	124, 124-2: 81, 82, 83, 84, 85	D-9.259-1	X051	C-9.254-3	Y70F14	B-1.533-1(W) B-1.531(L)	201R3A 201R15	C-9.228-5(O) C-9.230-4(B)	V305 V402
	125, 126, 127: 40, 50, 52: 21P48, 49, 66, 67	D-9.383-1	X080	D-9.382-1	Y70F25			D-9.228-6(O) C-9.230-5(B)	V305 V402
MATTISON 630-5A, -6A, -6AB, -7A-DXM, -5SSRB	ET-106	ET-106	ET-112D EL-138	Y70F08 Y70F10	EL-127(W) EL-126(L)	201R12 201R5A	ET-103(O) ET-102(B)	V310 V402	
	630-1, -2	ET-104	MAT-Y-1	Y70F08	MAT-W-1(W) MAT-L-1(L)	201R1A 201R3A	MAT-0-1(O) MAT-B-1(B)	V301 V401	
	1950-30; 630-5SR	MAT-F-1 MAT-F-2	MAT-Y-1	Y70F08	MAT-W-1(W) MAT-L-1(L)	201R1A 201R3A	MAT-0-1(O) MAT-B-1(B)	V301 V401	
	630-MDXL	ET-112B	X074	EL-173B	Y70F20/43	EL-127(W) EL-160(L)	201R12 201R15	ET-110(O) ET-115(B)	V310 V405

Ⓞ Mod. 630-5SR

MIRRORTONE	MFRS. PART #	RAM #	MFRS. PART #	RAM #	MFRS. PART #	RAM #	MFRS. PART #	RAM #
	A-17C, -17T, -21C, CB, T, X, Z, 17PCSB, PCW, PTE, 20PCS, PCSB, PCW, PTE, PTS (9025), PTSB, PTW, TPRS, 21PCS, QDCS, 2HQDCS	THC-10003D THC-10017B, C	X050D X050D	YDB-10001A, C	Y70F08	TO-10023, C(W)	201R1A	TOB-10045E, H(O)
A-24C, 17GC, GT, HT, 17PT(9047/55), PTRC, PTS, PTS2, PTSRC, 20PT(8047/55), PTRC, PTS(9047/55), PTSRC, PTS2, 21FC, FCS, FCS2, FT, FTL, FTLCR, FTRC, FTS, FTRC, FTS2, FTS2C, FTS2RC, HT, HTS, HTS2, 21PCL	THC-10017B, C THC-10021D	X050D	YDB-10001C YD-10009 YD-10014B	Y70F10/43 Y90F12/47	TOA-10023C(W)	201R1A	TOB-10045H(O) TOA-10061(O)D	V308 V302
14MTS, 16MC, MT, 17MC, MT, MZ-C, MZ-T, 20MC, MT, MZ-C, MZ-T	THC-10000A	X035	YDB-10000	Y70F08	TOA-10023C(W) TOA-10054(L)	201R1A	TOB-10045E(O) TOA-10051A(B)	V308 V405
17PC, PT, 20PC, PT(9025)	THC-10003, D	X050D	YDB-10000D	Y70F08	TO-10023(W)	201R1A	TOB-10045, E(O)	V308

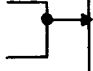


Ⓞ Ch. 9040 Ⓞ 24-inch Sets Ⓞ Use Pins 8-9 For AGC Ⓞ Use Pins 8-10 For AGC Ⓞ Use Two Filament Turns

MITCHELL	MFRS. PART #	RAM #	MFRS. PART #	RAM #	MFRS. PART #	RAM #	MFRS. PART #	RAM #
	T16B, M; 2KB, 2KM; T17B, M; T172-BM	N-8070 N-8104	X045 X045	N-8057, -47	Y70F08/43	N-8134(W) N-8063(L)	201R10 201R10	N-7717(O) N-7764(B)
T172MZ, BZ; T173M; T212MZ, BZ; T213B, M; T313B, M; T413B, M	N-8936	X112	N-8930	Y70F25/3			N-8937(O) N-9002(B)	V306

MANUFACTURER MODEL NUMBER AND CHASSIS	HORIZONTAL OUTPUT		DEFLECTION YOKE		WIDTH COIL W LINEARITY COIL L		VERTICAL OUTPUT (O) VERTICAL BL. OSC. (B)	
	MFRS. PART #	RAM #	MFRS. PART #	RAM #	MFRS. PART #	RAM #	MFRS. PART #	RAM #
MOTOROLA TSS: VK101	25C90052	X036	24C90118	Y70F08	24B90119(W) 24B470796(L)	201R1A 201R10	25C90009(O) 25B90010(B)	V301 V403
	TSM, A, B, C, D, E, F, G, H, J: VT71, B, M-A, MB-A, VT73, A	25B484819 25B90138						24B470154(B)
TSS: VK101, B, M	25C90052	X036	THE FOLLOWING YOKE PART NUMBERS APPLY TO CHASSIS: TSS, T57		24B90119(W) 24B470796(L)	201R1A 201R10	25C90009(O) 25B90010(B)	V301 V403
T57: VF102, A, C	25C90052	X036	24C90118, 24K485474, 24K485475, 24K485476, 24C484877, 24K482172	Y70F08	24B90119(W) 24B470796(L)	201R1A 201R10	25C90009(O) 25B90010(B)	V301 V403
T58: VF103B, M	25C90052	X036	THE FOLLOWING YOKE PART NUMBERS APPLY TO CHASSIS: T58, T59		24B90119(W) 24B470796(L)	201R1A 201R10	25K489134(O) 24B485416(B)	V301
T59, A, B, C, D, E1: VK105, M, 106, B, M, 10VK9B, R, 10TV3B, BM, R, 107, B, M	25C90052	X036	24C90118, 24K485474, 24K485475, 24K485476, 24C484877, 24C780441, 24K482172, 24K484877	Y70F08	24B90119(W) 24B470796(L)	201R1A 201R10	25K489134(O) 24B485416(B)	V301
T514, A, B: 10T2, 10VK12, R, 10VK22R, 10VT10, B, R, 10VT24R	24C790184	X103	24C780542, 24C791181, 24C792489, 24K780543, 24K791182		24B791170(W)	201R15	25C790151(O)	V305

MANUFACTURER MODEL NUMBER AND CHASSIS	HORIZONTAL OUTPUT		DEFLECTION YOKE		WIDTH COIL W LINEARITY COIL L		VERTICAL OUTPUT 0 VERTICAL BL OSC B		
	MFRS. PART #	RAM #	MFRS. PART #	RAM #	MFRS. PART #	RAM #	MFRS. PART #	RAM #	
MOTOROLA (Cont'd)									
TS15, A, B, C, CI: VT121, R, 12VK18, B, R, 12VT16, B, R	25C90052	X036	24K482172, 24K484877, 24C90118, 24K485474, 24K485475, 24K485476, 24C484877, 24C780417, 24K780549, 24C780441, 24C780418, 24K780595	Y70F08	24B90119(W) 24B470796(L)	201R1A 201R10	25B790015(O) 25K489134(O) 24B485416(B)	V309 V301	
TS16, A: 16VF8B, R, 16VK7B, R	24C790958		24D790815				25B790914(B)	V403	
TS18, A: 7VT2, W, T3, T5B, R, 7VT9L1, T1, VT1	25B90138						24B470154(B)		
TS23, A, B: 12K1, B, 12K2, B, 12K3, B, 12T1, B, T2, A, T3, 12VF48, R, C, 12VF26B, C, 26R, C, 12VK11, B, R, 12VT13, B, R	24K791974	X103	24C780542, 24C791181, 24K780543, 24C792489, 24K791182		24B791170(W)	201R15	25C790151(O)	V305	
TS30, A: 12VK15R	24C790958		24D790815		24K792722(W) 24K792820(L)	201R10	25K792710(O) 25B790914(B)	V302 V403	
TS52: 16K2L, LB, 16KV1B, R	24C791823	X104	THE FOLLOWING YOKE PART NUMBERS APPLY TO CHASSIS: TS52, TS53 24C700069 24C791723, 24K791725, 24K792758, 24K792759		Y70F25	24B791170(W)	201R15	25K791804(O)	V305
TS53: 12K1, B, 12K2, B, 12K3, B, 12T1, B, 12T2, A, 12T3	24C792596D	X104			24K700089(W)		25B792545(O)	V307	
TS57, A: 19F1, B, 19K1	24C792691	X045	24C792699 24K792714, 24K792715	Y70F10	24K792722(W) 24K792820(L)	201R10 201R10	25K792710(O) 25B790914(B)	V302 V403	
TS60: 16F1, B, 16T1, B	24K792753 24C710636	X104 X104	THE FOLLOWING YOKE PART NUMBERS APPLY TO CHASSIS: TS60, TS74 TS88, TS89 TS94, TS95 TS114, TS115 TS118, TS172 TS174 24C792171, 24C700050, 24K700694, 24C792506, 24K700776, 24K700774, 24K701138, 24K700778, 24K701142, 24K701139, 24K792508, 24K792173, 24K701136, 24K700714, 24K702039, 24K701141, 24K792489		Y70F25	24B700088(W) 24B791170(W)	201R15 201R15	25B792168(O)	V309
TS74: 16K2, B	24K792753	X104			24K700089(W)		25B792168(O)	V309	
TS88: 14K1, B, 14T1, B	24K700588	X104			24K700089(W)		25B792168(O)	V309	
TS89: 16T1H, BH, 17F1A, BA, 17F2WA, 17F3BA, 17F4A, BA, 17K3A, BA, 17T1A, BA, 17T2A, BA, 17T3A, 16F1H, BH, 17F5A, BA	24K792753	X104			24K700089(W)		25B792168(O)	V309	
TS89: 16K2H, BH	24K701099	X104			24K700089(W)		25B792168(O)	V309	
TS95: 17K1A, BA, 17K2A, BA, 17K4A	24K701099	X104			24K700089(W)		25B792168(O)	V309	
TS114, A: 14T3, X1	24C701134	X104			24K701349(W)		25K701143(O)	V309	
TS115: 14K1H, BH	24K700588	X104			25B700089(W)		25K701619(O)	V305	
TS118, A, B: 17F1, B, 17F2W, 17F3B, 17F4, 17F5, B, 17K3, B, 17K5, 17K6, 17K7, B, 17K10D, MD, 17T1, B, 17T3, X1, 17T4, 17F6, B, 17F7B, 17F8, 17F9, B	24K792753	X104	THE FOLLOWING YOKE PART NUMBERS APPLY TO CHASSIS: TS60, TS74, TS88, TS89 TS94, TS95, TS114, TS115 TS118, TS172, TS174			25B700088(W) 25B700089(W)	201R15	25K701619(O) 25K702800(B)	V305 V405
TS172, A: 17K1E, BE, 17K2E, BE, 17K4E	24K792753	X104	24C792171, 24C792506, 24K700694, 24K700774, 24K700776, 24K700778, 24K701138, 24K701139, 24K701142, 24K792173, 24K792508, 24K700714, 24K701136, 24K701141, 24K702039, 24K792489, 24C700050,	Y70F25	25B700089(W) 25B700088(W)	201R15	25K701619(O)	V305	
TS174, A, B: 17F6C, 68C, 78C, 8C, 9C, 17K5C, 6C, 78C, 7C, 17T4C	24K792753	X104			25B700088(W) 25B700089(W)	201R15	25K701619(O) 25K702800(B)	V305 V405	
TS101: 19K2, B, 19K3, 19K4, B	24C701552 24C711652	X105 X105	THE FOLLOWING YOKE PART NUMBERS APPLY TO CHASSIS: TS101, TS119 24C701600, 24C703240, 24K701601, 24K702040,			24K701566(W)		25K701068(O) 25K701069(B)	V302 V403
TS119, A, B, C, CI, D: 19K2E, 20F1, 20F2, B, 20K1, B, 20K2, 20K3, B, 20K4, 20T1, B, 20T2, B	24C701636	X105	24C701609, 24C701611, 24K701610, 24K701612, 24K702772, 24K702773, 24K703239	Y70F10	25B701565(W)	201R15	25K701068(O) 24K701069(B)	V302 V403	

MANUFACTURER MODEL NUMBER AND CHASSIS	HORIZONTAL OUTPUT		DEFLECTION YOKE		WIDTH COIL - W LINEARITY COIL - L		VERTICAL OUTPUT 0 VERTICAL BL. OSC - B	
	MFRS. PART #	RAM #	MFRS. PART #	RAM #	MFRS. PART #	RAM #	MFRS. PART #	RAM #
MOTOROLA (Cont'd)								
TS196: 17K11D, 17T3E, 17T5	24K702975 24C702973	X106 X106	<p>THE FOLLOWING YOKE PART NUMBERS APPLY TO CHASSIS:</p> <p>TS196, TS214 TS216, TS228 TS236, TS275 TS307, TS314 TS315, TS325 TS326</p> <p>24C702655, 24C703260, 24C720154, 24K711583, 24K711585, 24K720155, 24C721829, 24K702663, 24K703263, 24K711268, 24K720624, 24K721830, 24C702958, 24K711217, 24K711581, 24K711584, 24K711587, 24K720622, 24K702661, 24K702959, 24K703265, 24K720623, 24K720747, 24K703262</p>				25B702445(O) 25K702429(B) 25K710730(B)	V306 V403 V403
TS214: 17T5A	24C711265	X106		24A710751(L)	201R19	25B702445(O) 25K702429(B) 25K710730(B)		V306 V403 V403
TS216: 14P1B, X, 14T4, B	24K711266	X106		24A710751(L)	201R19	25B702445(O) 25K702429(B) 25K710730(B)		V306 V403 V403
TS228: 17F11, FM, 17K8A, BA, 17K9A, BA, 17K10, M, 17K11A, BA, 17T5C, 17T6F, BF	24C711265	X106		24A710751(L)	201R19	25B702445(O) 25K702429(B) 25K710730(B)		V306 V403 V403
TS236: 17K8, BB, 9B, 10A, 10MA, 11, 11B, 11C, 17T5D, 6B0, 6C, 6D	24K702975	X106				25B702445(O) 25K702429(B) 25K710730(B)		V306 V403 V403
TS275: 14P2, U	24K711266	X106		24A710751(L)	201R19	25B702445(O) 25K702429(B) 25K710730(B)		V306 V403 V403
TS307: 20K6, B, 20T2A, BA, 20T3, B	24K711937	X106				25B702445(O) 25K702429(B) 25K710730(B)		V306 V403 V403
TS314, A, B: 17K11AA, BAA, 17T5E, 5(A), 5(B), 6G, 7-5	24C711265	X106		24A710751(L)	201R19	25B702445(O) 25K702429(B) 25K710730(B)		V306 V403 V403
TS315, A, B: 17T5F	24C711265	X106		24A710751(L)	201R19	25B702445(O) 25K702429(B) 25K710730(B)		V306 V403 V403
TS325, A, B: 17T5S, 17T1, SL, SR, -X, 17T8, B, 17T9, E, 17T10	24C711265	X106		24A710751(L)	201R19	25B702445(O) 25K702429(B) 25K710730(B)		V306 V403 V403
TS326, A, B: 17F12A, BA, 17K12A, BA, WA, 17K13A, 17T7A, 17T8A, BA, 17T9A, 17T10A	24C711265	X106		24A710751(L)	201R19	25B702445(O) 25K702429(B) 25K710730(B)		V306 V403 V403
TS351, A, B: 21F1, B, 21K1, 1B, 2, 2B, 3, 3B, 3M, 21T1, 1B, 1SL, 1SR, 2B	24K712193	X106		24A710751(L)	201R19	25B702445(O) 25K702429(B) 25K710730(B)		V306 V403 V403
TS401: 17F12D, 17K13D, 17T9EF, F, 17T10D	24C711265	X106		24A710751(L)	201R19	25B702445(O) 25K702429(B) 25K710730(B)		V306 V403 V403
TS408, Y, A: 17F13BC, C, F, FB, CY, BCY, FBY, FY, 17K14BC, C, MC, BCY, CY, WCY, 17K15BC, C, CY, 17K16C, CY, 17T11C, EC, CY, ECY, BCY, 17T12C, MC, CY, WCY, 17T15, Y17T15	24C721290C 24K730691	X106 X106	24A710751(L)	201R19	25K721027(O) 25K702429(B)		V403	
TS410, A, Y: 17T3, A, AE, Y17T13AE, AY, Y, 17T14, Y, 17T18	24K730692 24C721290 71T730526	X106 X106 X106	24A710751(L)	201R19	25B702445(O) 25K702429(B) 25K721027(O) 25K710730(B)		V306 V403 V403 V403	
TS501, A, B, Y: 21T3, C, CY, Y	24K730690 24K72126 24K721301 24K721512C 24K720615	X106 X106 X106 X106 X106	24A710751(L)	201R15 201R19	25K710730(B)		V403	
TS221, A: 17K5E, 17K9BC, C, 17K10C, MC, 17T3G, 17T4E	24K792753	X104	24B700088 (W) 24A710751(L)	201R15 201R19	25K701619(O) 25K702800(B) 25K710731(B)		V305 V405 V405	

MANUFACTURER MODEL NUMBER AND CHASSIS	HORIZONTAL OUTPUT		DEFLECTION YOKE		WIDTH COIL W LINEARITY COIL L		VERTICAL OUTPUT O VERTICAL BL OSC B				
	MFRS. PART #	RAM #	MFRS. PART #	RAM #	MFRS. PART #	RAM #	MFRS. PART #	RAM #			
MOTOROLA (Cont'd) TS502, Y: 21C2, B, Y21C2, B, 21F5, B, Y21F5, B, 21K12, A, AB, WA, Y21K12A, AB, WA, (Y) 21K13, B(Y) 21K14, B, (Y) 21K15, (Y) 21K16, W, (Y) 21K17, (Y) 21T1A, (Y) 21T11, B, W	24K730904	X118	24C730632		Y70F25/3			25B730138 (O) 25B730179 (B) 25B731058 (O)			
	24C730902	X118	24C730634								
	24K732746	X118									
TS505, Y: Y21T10, 21T10	24K730904	X118	24C730632		Y70F25/3			25B730138 (O) 25B730179 (B) 25B731058 (O)			
	24C730902	X118	24C730634								
TS402, Y: 17K17, B, Y17K17, B, 17T15A, Y17T15A, 17T16, B	24K730904	X118	24C730632		Y70F25/3			25B730138 (O) 25B730179 (B) 25B731058 (O)			
	24C730902	X118	24C730634		Y70F25/3						
TS292, A, 2A, B: 21C1, B, BD, D, BDY, BY, DY, Y, 21F2, B, F, FB, BY, FBY, FY, Y, 21F3, B, BD, D, BDY, BY, DY, Y, 21K4, A, B, BD, AY, BDY, BY, CBY, CWY, CY, DY, WDY, Y, C, CB, CW, D, F, FY, W, WD, 21K5, B, BD, D, BDY, BY, DY, Y, 21K6, D, DY, Y, 21K7, D, DY, Y, 21K9, Y, 21K10, B, BY, Y, 21K11, B, BY, Y, 21K12, B, W, Y, 21K12, B, W, 21T4AC, ACY, 21T7, B, BY, Y, 21T8, E, Y21TB, E	24C730689	X106	THE FOLLOWING YOKE PART NUMBERS APPLY TO CHASSIS: TS292, TS324 TS395, TS400 24C702655, 24C703260, 24C720154, 24K711583, 24K711585, 24K720155, 24C702958, 24C711217, 24K711581, 24K711584, 24K711587, 24K720622, 24K702657, 24K711268, 24C703262, 24K720623, 24K720747, 24K721831, 24C721829, 24K720628, 24K721830, 24K703262,		Y70F25/3	24A710751(L)	201R19	25B731015(O) 25K702429(B) 25K710730(B) 25K721027(O)	V306 V403 V405		
	or	X106									
	24K721301, C	X106									
	or	X106									
24K722126											
TS324, A, B: 21T4A, 21T5A, BA	24K721301, C	X106				24A710751(L)	201R19	25K721027(O) 25K702429(B)	V403		
	24K722700	X106									
TS395, A: 17F13, B, 17K14, A, B, 17K15, B, 17T11, 17T12, B, W	24C721290	X106				24A710751(L)	201R19	25K721027(O) 25K702429(B) 25K710730(B)	V403 V405		
TS400, A: 17T11E	24C721290	X106				24A710751(L)	201R19	25K721027(O) 25K702429(B) 25K710730(B)	V403 V405		
TS602, Y: (Y) 24K1, B, (Y) 24K2, B, (Y) 24K3, W, (Y) 27K2, B, (Y) 27K3	24D730547		24D731010			24B731090(W) 24B731614(W)		25B730923(O) 25B721871(B)			
	24K731615										
TS418, 518: (Y) 17T18, (Y) 17T20, B, E, M, (Y) 21T16, B, E, (Y) 21T17, B, (Y) 21K19, B	24K733106	X106	24K732710	Y70F25/3				25B731015(O) 25K721027(O) 25K710730(B)	V306 V306 V405		
	24K733646	X106	24K732711	Y70F25/3							
TS525, 528, 603: 21C3, 21K20, 21, 22, 23, 24; 21T18, 19, 20; 24K4, 5	24K733407	X118	24K732711	Y70F25/3	24A731609(L)			25B731015(O) 25K721027(O) 25B730179(B) 25K731565(B)	V306 V306 V405 V405		
	24C731610	X118	24D733239	Y70F25/3							
	24K732584	X118									
	24K735859	X118									

MANUFACTURER MODEL NUMBER AND CHASSIS	HORIZONTAL OUTPUT		DEFLECTION YOKE		WIDTH COIL W LINEARITY COIL L		VERTICAL OUTPUT O VERTICAL BL OSC B	
	MFRS. PART #	RAM #	MFRS. PART #	RAM #	MFRS. PART #	RAM #	MFRS. PART #	RAM #
MUNTZ M158, 159: M-12	TO-14	X036	LC-42	Y70F08	LR-18(W) LR-19(L)	201R1A 201R3A	TO-18(O)	V308
M159, A, B: M20, M21, M22	TO-17	X036	LC-42	Y70F08	LR-19(L)	201R1A 201R3A	TO-18(O)	V308
M169:	TO-17A	X036	LC-46	Y70F08	LR-18(W) LR-19(L)	201R1A 201R3A	TO-16(O)	V304
	TO-0017A	X036	LC-0046	Y70F08			TO-0016A(O)	V304

MANUFACTURER MODEL NUMBER AND CHASSIS	HORIZONTAL OUTPUT		DEFLECTION YOKE		WIDTH COIL W LINEARITY COIL L		VERTICAL OUTPUT O VERTICAL BL OSC B	
	MFRS. PART #	RAM #	MFRS. PART #	RAM #	MFRS. PART #	RAM #	MFRS. PART #	RAM #
MUNTZ (Cont'd)								
TV16A1, 16A2, 16A3: M30, M31, R, M32	TO-200 TO-21	X035 X035	LC-46 LC-46A LC-51A	Y70F08 Y70F08/43 Y70F08/43	LR-18(W) LR-19(L)	201R1A 201R3A	TO-18(O)	V308
TV17A2, 17A3, A, 17A4, 17A7: M31, R, M32, R, M33, M34, M41, M42, M46, M49; 1750, 1751, 1752, 2053, 2054, 2055, 2056	TO-0020 TO-0021 TO-0022 TO-0028 TO-0029	X035 X035 X035 X045 X045	LC-0046 LC-0051 LC-0053 LC-0056	Y70F08/43 Y70F08/43 Y70F08/43 Y70F08/43	LR-0019(L)	201R3A	TO-0018B(O) TO-0023(C) TO-0027(O) TO-0032(O) TO-0022A(B)	V308 V308 V308 V308 V401
TV17B1, 17B2, 17B3, 17B4, 17B5, 17B6, 17B7, 17B8: 2053A, 2054A, 2055A, AU, 2055B, 2056A, 2066, 2158A, 2159A, 2162A, 2457A, 2461A, 2763A, 2764A, 2765A, 327T1	TO-0031 TO-0036 TO-0036-1	X076 X114 X114	LC-0058, -1, -2 LC-0060 LC-0061	Y70F14 Y70F14 Y90F12/47	LR-0034(L)	201R12	TO-0034(O) TO-0037(O) TO-0035(B)	V308 V313 V401
W2060	C-9, 253-1, -2	X051	C-9, 254-3	Y70F14	B-1, 553-1(W) B-1, 531(L)	201R3A 201R15	C-9, 228-5(O) C-9, 230-4(B)	V305 V402
17B2, 37A2: 317T2, 321T1, 321T2	TO-0031-2	X076	LC-0060	Y70F14	LR-0034(L)	201R12	TO-0034(O) TO-0035(B)	V308 V401
37A4, 37B4, 37C4: 317T1, 321T3, 321T4, 321T5, 321C1, 321D1	TO-0031-2	X076	LC-0060	Y70F14	LR-0034(L)	201R15	TO-0034-2(O) TO-0038(B)	V308 V401
47A4: 421T1, N, 421T2	TO-0039	X064	LC-0082	Y70F25/3			TO-0040(O)	V401

ⓐ Ch. 16A2 ⓑ Ch. 16A3 ⓒ Alternate ⓓ Late Ch. 17A3A, 17A7, -20-Inch Rect. CRT ⓔ 19, 20-Inch CRT ⓕ 16-Inch Rect. CRT.
 ⓖ 16-Inch Round CRT ⓗ 16, 17, 19, 20-Inch Rect. CRT ⓘ Ch. 1788 ⓙ Ch. 1786 ⓚ Used with H output Trans. to 0036.

NATIONAL	MFRS. PART #	RAM #	MFRS. PART #	RAM #	MFRS. PART #	RAM #	MFRS. PART #	RAM #
	NC-TV-10C, -10T, -10W, -12C, -12W, -1001, -1025, -1201, -1202, -1225, 1226	L255-1 L255-3	X036 X036	L251-1	Y70F08	L256-1(W) L257-1(L)	201R1A 201R3A	L253-1(O) L254-1(B)
TV-1201, -1226	P272-1	X045	L251-3	Y70F08	P274-1(W) P273-1(L)	201R14 201R14	L253-1(O) L254-1(B)	V304 V402
TV-1601, -1625	P272-1	X045	P283-1	Y70F10/43	P274-1(W) P273-1(L)	201R14 201R14	L253-1(O) L250(B)	V304 V401
TV-1701, -1702, -1725, -1727, -1729, -1730, -1731, -1732, -2029, -2030	P272	X045	P283	Y70F20/43	P274(W) P273(L)	201R14 201R14	L253(O) L250(B)	V305 V401
OLYMPIC	MFRS. PART #	RAM #	MFRS. PART #	RAM #	MFRS. PART #	RAM #	MFRS. PART #	RAM #
TV304, TV105, TV106, TV107, TV108; 922, L, 928, 944, 945, 946, 948	TR-1492	X036	CL-1356	Y70F08		201R1A 201R3A	TR-1343(O) TR-1473(B)	V302 V401
TV947, TV949, TV950	TR-2092-1	X032	CL-1356	Y70F08		201R1A 201R3A	TR-1764(O) TR-1473(B)	V305 V401
DX214, DX215, DX216; 619, 620, 621, 622; 931, 932, 950	TR-2092-1	X032	CL-1356	Y70F08		201R1A 201R3A	TR-1343(O) TR-1473(B)	V302 V401
XL210, XL211; 612, 613	TR-1914	X036		Y70F08		201R1A 201R3A	TR-1764(O) TR-1473(B)	V305 V401
762, 783, 785, 967, 968, 970	TR-2293-1	X066		Y70F08		201R1A 201R3A	TR-2189A(O) TR-1473(B)	V305 V401
17C, D, 752, U, 753, U, 754, 755, U, 757, 758, 764, U, 765, 766, 767, 768, 769, 773, 791, 792, 20C22	TR-2293	X066	CL-2087	Y70F08/43		201R1A 201R14	TR-2189A(O) TR-1473(B)	V305 V401
TG: 17C24, 17K31, 17K32, 17T20, 17T33	TR-2615	X066	CL-2087-2	Y70F08/43	CL-1502(W) CL-2678(L)	201R1A 201R3A	TR-2189(O) TR-1473(B)	V305 V401
TH: 21C28, 21D29, 21K26, 21T27	TR-2615	X066	CL-2087-2	Y70F08/43	CL-1502(W) CL-2678(L)	201R1A 201R3A	TR-2189(O) TR-1473(B)	V305 V401
TK, TL: 17C44, 17K41, 17K42, 17K50, 17T40, 17T48, 20C45, 20C52, 20C53, 20D49, 20K43, 20K51, 20T46, 20T47	TR-2771	X069	CL-2753	Y70F14/43	CL-2752(W)	201R15	TR-2765(O) TR-1473(B)	V401
TM, TN: 17C57, 17K55, 17T56, 17T71, 17T83, 21C65, 21C68, 21C72, 21C73, 21C80, 21C81, 21C82, 21D60, 21D64, 21K61, 21K62, 21K63, 21K101, 21T58, 21T69, 21T70, 21T74, 21T86, 21C89, 21C90	TR-2771-1 TR-2771-2 TR-3597-1 TR-3599-1 TR-3855	X069 X069 X069 X069	CL-2753	Y70F14/43	CL-2752(W)	201R15	TR-2765(O) TR-1473(B)	V401
RSU: 17TR10, 17TR19, 17CR20, 21KS22, 21TS11, 21CS12, 21TS17, 21CS18, 21TU14, 21OU15, 21CU16	TR2771-1, -2	X069	CL2753	Y70F14/43			TR-3385(O) TR-1473(B)	V310 V401

MANUFACTURER MODEL NUMBER AND CHASSIS	HORIZONTAL OUTPUT		DEFLECTION YOKE		WIDTH COIL W. LINEARITY COIL L		VERTICAL OUTPUT O VERTICAL BL. OSC B	
	MFRS. PART #	RAM #	MFRS. PART #	RAM #	MFRS. PART #	RAM #	MFRS. PART #	RAM #
PACIFIC MERCURY								
150-1,-2,-3,-4,-5,-6,-7,-9,-10,-11, -12,-13,-14,-15,-16,-17,-21,-31,-51, -61,-81;200-1,-2,-3,-4,-5,-11,-12,	PMS56002	X074	PMA56000	Y70F14/43	PMA56003(W) PMA56001(L)	201R15 201R12	PMA56004(O) PMA56005(B)	V312 V405
-13,-14,-15,-21: 2013, 2080, 2081, 2113, 2114, 2115, 2116, 2117, 2118, 2119, 2181, 2184, 2192, 2193, 2194, 2217, 2218, X, 2224, 2284, 2401, 4120, 4220, 4317, 4320, 4321, 4421, 4721, 5517	PMC56002	X074	PMA56000 PMB97213	Y70F14/43 Y70F14/43	PMA56003(W) PMA56001(L)	201R15 201R12	PMA56004(O) PMA56005(B)	V312 V405
PACKARD BELL								
1091, 1291, 1391, 2091, 2092, 2291, 2292, 2293, 2294, 2295, 2296, 2297, 2298, 2601, 2692, 2991, 3191, 3192, 3381	29511 89424Ⓞ	X036 X077	29501	Y70F08	29503(W) 29504(L) 29517(L)Ⓞ	201R1A 201R3A 201R5A	89422(O) 89031(B) 29515(B)Ⓞ	V305 V405 V405
2001, 2002	PB-F-1	X036	PB-Y-1	Y70F08	29503(W) 29504(L)	201R1A 201R3A	89422(O) 89031(B)	V305 V405
2040, 2740, 2840, 2940-1, 3040-1; 2041/ 2141, 2042/2142, 2043/2143, 2044/2144, 2742/2842, 2743/2843, 2744/2844, 2841/ 2942, 2941/3041, 3042, 3142	89438	X074	29542A	Y70F20/43	29540(B)(W) 29531(L)	201R15 201R12	89434(O)	V312
2101, 2102, 2105, A, 2115, 2116, 2117, 2118, 2202, 2204, 2301, 2302, 2311, 2602, 2612, 2801, A, 2803, 2811A	89432, A, C 89429Ⓞ 89435Ⓞ	X068Ⓞ X074	29530Ⓞ 29533 29536Ⓞ 29537Ⓞ 29539Ⓞ	Y70F10/43 Y70F30/3 Y70F20/43 Y70F30/3 Y70F14/43	29532(W) 29540(W)Ⓞ 29504(L) 29531(L)Ⓞ	201R13A 201R15 201R3A 201R12	89430(O)Ⓞ 89431, B(O) 89434(O)Ⓞ 89031(B)	V305 V306 V312 V405
2421,-2, 2422, 2423,-2, 2621,-2, 2622, 2822, 3021	89437	X074	29542	Y70F20/43			89434(O)	V312
2710, 2720, 2721, 2722, 2723, 2724, 2921, 2922	89438	X074	29542, A	Y70F20/43	29540, B(W) 29531, B(L)	201R15 201R12	89434, A(O)	V312
2742, 2743, 2744, 2842, 2843, 2844, 2941, 3041	89438B	X074	29542A	Y70F20/43	29540B(W) 29531C(L)	201R15 201R12	89434A(O)	V312
4580, 4691	89424	X077	29501	Y70F08	29503(W) 29504(L) 29517(L)Ⓞ	201R1A 201R3A 201R5A	89423(O) 29510(B)	V305 V401
2841, 2846, 2847, 2942, 2946, 2947, 3042, 3142	89442B	X094	29567		29568(W) 29569(L)	201R10 201R15	89443B(O)	V302Ⓞ
T-1: 21103, 21202, 21401	89440A	X080	29583A		29581(W)	201R10	89456A(O) 89046(B)	V306 V405
T10: 1841, 1842, 1941, 1942, 2041, 2042, 2043, 2044, 2141, 2142, 2143, 2144, 17101, V, 17104, U, 21102, U, 21201, U, 21204, U, 21402	89440	X080	29556	Y70F25/3	29555B(W)	201R10Ⓞ	89441(O) 89046(B)	V306 V405

Ⓞ Mod. 2115, 2116, 2117 Ⓞ Mod. 2118 Ⓞ Mod. 2118, 2621, 2622, 3021 Ⓞ Mod. 2301, 2801, A, 2311, 2811A, 2803 Ⓞ Mod. 2601, 2692, 2991
 Ⓞ Mod. 2612 Ⓞ Mod. 3381 Ⓞ Mod. 4691 Ⓞ Reduce H. Output Tube Drive To Prevent Flyback Arcing Ⓞ Use Orig. Slider-Core

PHILCO	MFRS. PART #	RAM #	MFRS. PART #	RAM #	MFRS. PART #	RAM #	MFRS. PART #	RAM #
	48-1000 (121, 122, 123, 125Ⓞ), -1001, (121, 122), -1050 (122); 49-1002 (121), -1040 (121, 123), -1075 (121, 122, 123), -1077 (122), -1150 (121, 123), -1175 (121, 123), -1275 (121, 123), -1278 (122)	32-8331	X038Ⓞ	32-9604	Y70F08			32-8306,-1(O) 32-8304,-1(B)
48-1150 (124), -1175 (122, 124), -1240 (121, 123, 124), -1278 (123), -1279 (122)	32-8358	X077	32-9608	Y70F08			32-8306-1(O) 32-8304-1(B)	V301 V401
48-1450 (121, 123), -1475 (121, 123), -1480 (121, 123)	32-8398	X077	32-9622	Y70F08			32-8306-1(O) 32-8304-1(B)	V301 V401
50-T1104 (121, 122, 123), -T1105 (121, 122), -T1106 (121)	32-8409	X038Ⓞ	32-9620	Y70F08			32-8405(O) 32-8304(B)	V305 V401
50-T1400, -T1401, -T1402, -T1430, -T1477, -T1478, -T1479, -T1481, -T1482 (All 121)	32-8421	X038Ⓞ	32-9620	Y70F08			32-8405(O) 32-8304(B)	V305 V401
50-T1400 (122), -T1402 (122), -T1403 (121, 122, 123, 124, 125), -T1404 (121, 122, 123, 124, 125), -T1406 (121, 122, 123, 124, 125), -T1432 (122, 124)	32-8437	X038Ⓞ	32-9620	Y70F08			32-8405(O) 32-8304(B)	V305 V401

MANUFACTURER MODEL NUMBER AND CHASSIS	HORIZONTAL OUTPUT		DEFLECTION YOKE		WIDTH COIL W/ LINEARITY COIL		VERTICAL OUTPUT VERTICAL BL. OSC.	
	MFRS. PART #	RAM #	MFRS. PART #	RAM #	MFRS. PART #	RAM #	MFRS. PART #	RAM #
PHILCO (Cont'd)								
50-T1443 (122)	32-8398	X077	32-9622	Y70F08			32-8405-1(0) 32-8304-1(B)	V305 V401
50-T1443 (123,124),-T1483 (121), -T1630 (121,122)	32-8398-1	X077	32-9622	Y70F08			32-8405-1(0) 32-8304-3(B)	V305 V401
50-T1476 (121),-T1484 (121)	32-8421-2	X086	32-9622	Y70F08			32-8425(0) 32-8304-3(B)	V302 V401
50-T1600 (121)	32-8428	X086	32-9628	Y70F10D			32-8432(0) 32-8431(B)	V302 V404
50-T1600 (122),-T1632 (121,122), -T1633 (121,122)	32-8428-2	X086	32-9628	Y70F10D			32-8432(0) 32-8431(B)	V302 V404
51PT-1207,-1208,-1234,-1282 (A11- 121)	32-8466		32-9648 32-9643D	Y70F30 Y70F10			32-8492(0)	V313
51-1443B,M,L,X4,XL,PM,PL,PW (121)	32-8453-3	X087	32-9633	Y70F10/43			32-8454(0) 32-8431(B)	V301 V404
51-T1601,T,-T1602,-T1607 (A11-121, 122);51-T1634 (123,124)	32-8465-2D	X088	32-9641 32-9642	Y70F10/43 Y70F10/43			32-8454(0) 32-8431(B)	V301 V404
51-T1604L (121),-T1604 (122,125), -T1604 (125),-T1606 (121,122,125), -T1634 (121,122)	32-8428-2	X086	32-9628	Y70F10D			32-8432(0) 32-8431(B)	V302 V404
51-T1634 (122,123,125),-T1800 (121), -T1802 (121),-T1830 (121),-T1832 (121)	32-8465-2D	X088	32-9628	Y70F10D			32-8432(0) 32-8431(B)	V302 V404
51-T1800 (122),-1833 (121,123)	32-8509D	X088	32-9645	Y70F10/43			32-8454-5(0) 32-8431(B)	V308 V404
51-T1834 (121),-T1835 (121),-1836 (123,125),-T1870 (121),-T1871 (121),-T1872 (121),-T1874 (121), -T1875 (121),-T2170 (121)	32-8465-2D	X088	32-9645 32-9644	Y70F10/43 Y70F10/43			32-8454(0) 32-8431(B)	V301 V404
51-T1872 (122)	32-8509D	X088	32-9645	Y70F10/43			32-8454-5(0) 32-8431-2(B)	V308 V404
51-T2102 (121),-T2130 (121),-T2132 (121),-T2133 (121),-T2134 (124), -T2136 (124),-T2138 (124),-T2175 (124),-T2176 (124)	32-8484-2D	X088	32-9645	Y70F10/43			32-8454(0) 32-8431(B)	V301 V404
52-T1610 (123),-T1612 (123),-T1802 (123),-T1804 (122,123),-T1808 (122, 123),-T1810 (122,123),-T1812 (122, 123),-T1821 (123)	32-8509D	X088	32-9645	Y70F10/43			32-8454-5(0) 32-8431(B)	V308 V404
52-T1802 (124),-T1821,-T1822 (124, 125),-T1823 (124)	32-8555	X091	32-9648	Y70F30			32-8539(0) 32-8331-2(B)	V302 V404
52-T1820 (121)	32-8534	X090	32-9648	Y70F30			32-8515(0) 32-8331-2(B)	V302 V404
52-T1831 (122),-T1839 (122,123), -T1840 (122,123),-T1841 (123), -T1842 (122,123),-T1842 (124), -T1844 (122,123,124),-T1845 (124), -T1882 (122,123)	32-8509D	X088	32-9645 32-9644	Y70F10/43 Y70F10/43			32-8454-5(0) 32-8431(B)	V308 V404
52-T1850 (121),-T2106 (121),-T2108 (121)	32-8534	X090	32-9648	Y70F30			32-8515(0) 32-8331-2(B)	V302 V404
52-T2110,-T2144,-T2182 (A11-121)	32-8533	X090	32-9648	Y70F30			32-8515(0) 32-8331-2(B)	V302 V404
52-T2110 (122,123),-T2140 (122), -T2142 (122,123),-T2175 (124), -T2176 (124),-T2275 (123)	32-8509-2D 32-8484-2D	X089 X088	32-9645	Y70F10/43			32-8454-5(0) 32-8331-2(B)	V308 V404
52-T2120,-T2122,-T2140,-T2150, -T2151 (A11-121)	32-8534	X090	32-9648	Y70F30			32-8515(0) 32-8431-2(B)	V302 V404
52-T2120 (124,125),-T2121 (124), -T2150 (124),-T2151 (124),-T2157 (125)	32-8555	X091	32-9648	Y70F30			32-8539(0) 32-8331-2(B)	V302 V404
52-T2224,-T2244,-T2245,-T2252, -T2253,-T2254 (A11-121)	32-8534	X090	32-9648	Y70F30			32-8515(0) 32-8431-2(B)	V302 V404
52-T2252 (124,125)	32-8555	X091	32-9648	Y70F30			32-8539(0) 32-8331-2(B)	V302 V404
53-T1814,-T1816,L,-T1817,-T1824, -T1825,-T1826,-T1852,-T1854,-T1883 (A11-123)	32-8572	X100	32-9648	Y70F30			32-8577-1(0) 32-8431-2(B)	V302 V404

MANUFACTURER MODEL NUMBER AND CHASSIS	HORIZONTAL OUTPUT		DEFLECTION YOKE		WIDTH COIL (W) LINEARITY COIL (L)		VERTICAL OUTPUT (O) VERTICAL BL. OSC (B)	
	MFRS. PART #	RAM #	MFRS. PART #	RAM #	MFRS. PART #	RAM #	MFRS. PART #	RAM #
PHILCO (Cont'd) 53-T1818 (128), -T1827 (126), -T1853, M, L (126), -T1858 (128)	32-8565	X092	32-9648	Y70F30			32-8577-1(O) 32-8431-2(B)	V302 ■ V404
53-T1824, -T1825, -T1826, -T1852, -T1854M, L, -T2105, -T2129M, L, -T2152, M, L (A11-124)	32-8555	X091	32-9648	Y70F30			32-8539(O) 32-8431-2(B)	V302 V404
53-T1883 (125), -T1884 (123, 125), -T1886 (123, 125)	32-8555	X091	32-9648	Y70F30			32-8539(O) 32-8431-2(B)	V302 V404
53-T2124, -T2125M, L, -T2126, -T2152 (A11-123)	32-8572	X100	32-9648	Y70F30			32-8577-1(O) 32-8431-2(B)	V302 ■ V404
53-T2125 (124), -T2126 (125), -T2170 (125), -T2183 (123, 125), -T2260 (125), -T2284 (125)	32-8555	X091	32-9648	Y70F30			32-8539(O) 32-8431-2(B)	V302 V404
53-T2127 (126), -T2228 (126), -T2266, M, L (126), -T2268 (126), -T2269 (126), -T2270 (126), -T2271 (126), -T2273, M, C (126), -T2280 (128), -T2281, (128), -T2285 (126), -T2286 (126), -T2287 (126), -T2289 (128), -T4309, H, M (128)	32-8565	X092	32-9648	Y70F30			32-8577-1(O) 32-8431-2(B)	V302 V404
53-T2152 (124)	32-8534	X090	32-9648	Y70F30			32-8515(O) 32-8431-2(B)	V302 V404
53-T2226 (123), -T2227 (123), -T2230 (133), T2232 (123), -T2255 (123, 133), -T2260 (123), -T2264 (123), -T2272 (123), -T4101 (129)	32-8572	X100	32-9648	Y70F30			32-8577-1(O) 32-8431-2(B)	V302 ■ V404
53-T2256, -T2258, -T2259, -T2282, -T2283 (A11-121)	32-8534	X090	32-9648	Y70F30			32-8515(O) 32-8431-2(B)	V302 V404
53-T2750 (127)	32-8598		32-9650				32-8599(O) 32-8431-2(B)	V307 V404
53-T3000, -T3001, -T3002, -T3100, L, RM, -T3102, L, -T3406, -T3408, -T4000, -T4002, -T4004, -T4100, L, -T4102, -T4106, -T4109, -T4150, -T4301, -T4302, -T4303, -T4304, -T4306, L, -T4400, -T4402, L, -T4307HM; 22C4010, L, 4012, 4014, 4122 (130, 131, 140) : A-T2275S	32-8624	X092	32-9648	Y70F30			32-8625(O) 32-8431-2(B)	V307 ■ V404
53-T3104, -T4008, -T4108, -T4110, L, -T4308, -T4404, -T4405 (A11-150)	32-8607	X092	32-9648	Y70F30			32-8539(O) 32-8431-2	V302 V404
53-T4006, L (150)	32-8607	X092	32-9648	Y70F30			32-8625(O) 32-8431-2(B)	V307 ■ V404
53-T6002, -T6104, L (A11-147)	32-8642-1		32-9663-1				32-8625(O) 32-8431-2(B)	V307 ■ V404
53-T6106, L, -T6300 (A11-158)	32-8634		32-9663				32-8637(O) 32-8431-9(B)	V307 ■ V404
53-T7300 (157)	32-8598		32-9650				32-8637(O) 32-8431-9(B)	V307 ■ V404
22C4016, L, 22C4124, L, 22C4126, L, 22C4312, L (350); 22C4132L (400)	32-8653	X092	32-9670	Y70F30			32-8658(O)	V313
22C4119, 22C4120, L, 22C4123, 22C4310, L (300); 24C4310 (350)	32-8677	X092	32-9680	Y70F30			32-8658(O) 32-8676(B)	V313 V404
24C6010, 24C6109, L, 24C6110, L, 24C6112, 24C6310 (354)	32-8653	X092	32-9663-1				32-8658(O)	V313

Numbers in Parenthesis Indicate Code Numbers ⊕ If 32-8509-2 Repl. 32-8484-2, Remove 4.7 Ω Series Dropping Res. ⊙ If 32-8509 Repl. 32-8465-2, Remove 4.7 Ω Series Dropping Res. ⊙ If Insufficient Pix H and W occurs, Lower Screen E of H. Output Tube ⊕ Drill New Mtg. Holes; Increase H-Output Tube Screen Grid Resistor to 10K ⊕ Increase H. Output Screen Res. to 10K ⊕ 51PT-1207

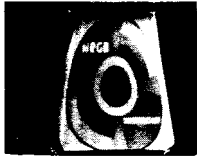
PHILHARMONIC	MFRS. PART #	RAM #	MFRS. PART #	RAM #	MFRS. PART #	RAM #	MFRS. PART #	RAM #
11, 101, 506B, 702L, 711, 911, 922B, M	738000	X036	708130	Y70F08	708082(W) 708003(L)	201R1A 201R3A	738010(O) 738004(B)	V301 V401
512, 513, 812, 816, 5125, 5126, 6165, C8125	T0-10020	X036	T0-10026	Y70F08	T0-10023(W) T0-10024(L)	201R1A 201R3A	T0-10021(O) T0-10022(B)	V305 ■ V401 ■
5000, 5200, 5201, 5250, 5400, 5401, 5450, 5600, 5601, 5650, 5700, 5700 RT, 5701, 5750, RT, 5800; 816, C8165	T0-10028	X036	T0-10026A	Y70F08	T0-10023(W) T0-10024(L)	201R1A 201R3A	T0-10045(O) T0A-10030 A(B)	V305 ■ V401 ■
T616, 1116, 5816, C6161, 6161A	80-263	X050A	83-669	Y70F08/43	10-551(W) 10-561(L)	201R10 201R10	80-261(O) 80-257(B)	V309 † V405
520, 620, 5820, A, 6120, 7120, 7820	80-265	X050A	83-669	Y70F08/43	10-551(W) 10-561(L)	201R10 201R10	80-261(O) 80-257(B)	V309 † V405

MANUFACTURER MODEL NUMBER AND CHASSIS	HORIZONTAL OUTPUT		DEFLECTION YOKE		WIDTH COIL (W) LINEARITY COIL (L)		VERTICAL OUTPUT (O) VERTICAL BL. OSC. (B)	
	MFRS. PART #	RAM #	MFRS. PART #	RAM #	MFRS. PART #	RAM #	MFRS. PART #	RAM #
PHILHARMONIC (Cont'd) 20C2B, CD2B, T2B; 111, 112, 426, 717T, 717I; 720, 724, 820, 824, 920, 924, 2400, 5221, 8120, 8820, 9120, B, 9121, 9820, B, 9821, 9921 800-900 Series	80-265-2	X0500 X0500	B3-669-1	Y70F08/43	10-575(W) 10-561(L)	201R1A 201R10	80-261(O) 80-257(B)	V309† V405
	20T2B, 20C2B, 20CD2B, 21CD2A, 21C2A, 5221, 112, 111	80-265-2	X0500	10-601	Y70F08/43	10-561(W) 10-561(L)	201R1A 201R10	80-261(O) 80-257(B)
54M21, 54CLO21, 54TW21	80-270	X080	10-610	Y70F25	10-604(W)	201R13A	80-268(O) 80-258(B)	V302 V405
1024	80-267	X094	10-602	Y90F12/47				

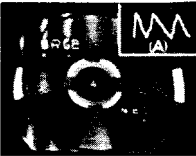
† Pin #8 Equiv. to #9 of Philharmonic Flyback; Pin #9 Equiv. to #8 of Philharmonic Flyback.

PILOT	MFRS. PART #	RAM #	MFRS. PART #	RAM #	MFRS. PART #	RAM #	MFRS. PART #	RAM #
	TV42, 952	56-208	X036	Y-P-1	Y70F08	79-72(W) 79-73(L)	201R1A 201R3A	56-16(O) 56-19(B)
TV44, 45, 46, 48	56-21	X077	79-77	Y70F08	W-P-1(W) L-P-1(L)	201R11 201R5	56-16(O) 56-19(B)	V301 V402
TV121, 123, 125, 161, 163, 165	56-28	X077	79-87	Y70F10	W-P-2(W) L-P-2(L)	201R11 201R5	56-22(O)	V304
TV127, 164, 167A, 191	F-P-1	X054						
TV270, 271, U, 273, U, 274, 290, 293, U, 294	56-33		279-67	Y70F10	W-P-3(W) L-P-3(L)	201R14 201R12	56-34(O) 56-32(B)	V305 ■ V402
TV520S, 527	56-39	X094	279-275		79-105(W) 79-104(L)	201R14 201R15	56-37(O) 56-36(B)	V302 V405


PIX - A - FAULT
YOKE CIRCUIT



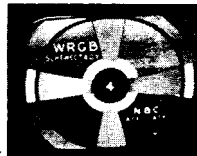
FAULT — Trapezoidal Pattern.
CAUSE — Short in horizontal winding of Yoke.



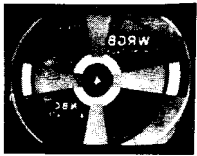
FAULT — "Ringing".
CAUSE — incorrect value of balancing R-C network across one half of H. Yoke winding.



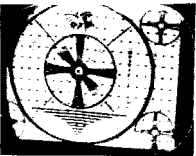
FAULT — Insufficient height and width, poor linearity, dimness.
CAUSE — Open capacitor (of parallel R-C network) which is in series with H. Yoke winding (B).




FAULT — Neck Shadow.
CAUSE — A 50 degree Yoke is used in a set which requires a 70 degree Yoke.




FAULT — Reverse picture.
CAUSE — Horizontal windings of Yoke reversed.



FAULT — Neck shadow and mis-centered picture.
CAUSE — Yoke not oriented properly; centering controls.



FAULT — Wavy vertical line.
CAUSE — Open in vertical Yoke winding.



FAULT — Bow-Tie pattern.
CAUSE — Vertical Yoke winding wired incorrectly within Yoke assembly.

(A). H. Yoke current waveform
Obtained by connecting scope across 10 ohm resistor inserted in series.

(B). Leaky boost capacitor could cause similar effect.

FOR ADDITIONAL PIX-A-FAULTS SEE PAGES 33, 63, 64

Photo courtesy of GENERAL ELECTRIC • RAYTHEON


MANUFACTURER MODEL NUMBER AND CHASSIS	HORIZONTAL OUTPUT		DEFLECTION YOKE		WIDTH COIL W LINEARITY COIL -L		VERTICAL OUTPUT O VERTICAL BL. OSC B	
	MFRS. PART #	RAM #	MFRS. PART #	RAM #	MFRS. PART #	RAM #	MFRS. PART #	RAM #
RADIO CRAFTSMAN RC100	19X006	X045	5X801		5A804(W) 5A803(L)	201R11 201R10	19S007(0) 19S601(B)	V305 V401
RC100A (Up to Serial #1299)	19S006	X045	5X801		5A804(W) 5A803(L)	201R11 201R10	19S007(0) 19S601(B)	V305 V401
RC100A (Past Serial #1300)	19S010	X035	5X807	Y70F08	5X810(W) 5A809(L)	201R11 201R3A	19S009(0) 19S601(B)	V305 V401
RC101, 200	19S012 [ⓐ] 19S016		5X813	Y70F14	5S815(W) 5S814(L)	201R3A 201R12	19S013(0) 19S601(B)	V401
RC201	19S016		5A813B	Y70F14	5S815(W) 5S814(L)	201R3A 201R12	19S013(0) 19S601(B)	V401
RC202	19S016		5X813C	Y70F14	5S815(W) 5S814(L)	201R3A 201R12	19S013(0) 19S601(B)	V401

ⓐ Superceded by 19S016

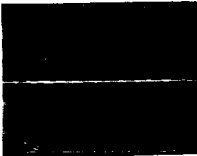
**PIX-A-
FAULT**

**VERTICAL
SWEEP
CIRCUIT**


FOR ADDITIONAL
PIX-A-FAULTS
SEE PAGES 32, 63, 64.



9



10



11

Courtesy RAYTHEON

FAULT - Vertical foldover.
CAUSE - Misadjustment of vertical controls; Low B-plus; defective vertical tube; Faulty V. Output Trans.; V. Yoke mismatch.

Courtesy GENERAL ELECTRIC

FAULT - Horizontal Line.
CAUSE - Defective vertical tube or V. Output Transformer.

FAULT - Height reduction (after conversion from 10 to 16 inch set).
CAUSE - Improper V. Output Trans. used. (Increase B-plus to V. Output Trans. primary or use a more efficient V. Output tube).

RAYTHEON 70X22P (Series A)	MFRS. PART #	RAM #	MFRS. PART #	RAM #	MFRS. PART #	RAM #	MFRS. PART #	RAM #
		12M-15662 201-15557						
10AX21, 10AX22, 10AXF44: M701	12M-18286		13M-13590	Y70F08	13M-18233(W)	201R1A	12C-17303(0) 12M-18241(B)	V305 V405
10AXF43, 10DX22, 10DX24	16M-16157 201-16149		13M-13590	Y70F08			12C-16050(0)	
10DX21, 10DX22	201-16149		13M-13590	Y70F08			12C-16050(0)	
12AX22: M-1101, C-1102, C-1104, M1105	12M-17967 12M-18285 201-18562, -2 [ⓐ] 12M-18286 12M-18689, -1, -2 [ⓐ] 201-18530 [ⓐ]	X107 X107 X108 X107 X108 X108	13M-13590	Y70F08	13M-18233(W)	201R1A	12C-17303(0) 12M-18241(B)	V305 V405
12AX26, 12AX27: C-1104B, M-1105B, M-1106, M-1107	12M-18689-2	X108	13M-13590 13M-19488	Y70F08 Y70F08	13M-18233(W) 13M-18961(L) 13M-19320(L)	201R1A 201R5A 201R5A	12C-17303(0) 12M-18241(B)	V305 V405
14AX21: C-1401, M-1402, M-1403, M-1404, RC-1405	12M-19407, -1, -2 201-18843 12M-19408 12M-19190	X109 X050 X109 X109	13M-18888	Y70F08	13M-18233(W) 13M-18961(L) [ⓐ] 13M-18962(L) 13M-19320(L) [ⓐ]	201R1A 201R5A 201R1A 201R5A	12C-19048(0) 12M-18241(B)	V313 V405
16AX23, 16AX25, 16AX26: M-1601, C-1602	201-18418 201-18843	X050	13M-13590 13M-18693 [ⓐ]	Y70F08 Y70F08/43	13M-18233(W)	201R1A	12C-17303(0) 12M-18241(B)	V305 V405
16AY28, 17AY21: M-1611B, M-1612B, M-1613B, C-1614B, C-1615B, C-1616B, RC-1618B, RC-1619B, M-1711B, M-1712B, M-1713B, C-1714B, C-1715B, C-1716B, RC-1718B, RC-1719B, C-1724A, M-1725A	201-19533-1 201-19817 201-19817 -1, -2, -3	X109 X109 X109 X109	201-19490, -1 201-19776, -1 201-19781	Y70F08 Y70F08 Y70F08	13M-18233(W) 13M-19499(L) 201-20186(L) [ⓐ]	201R1A 201R17 201R5A	12C-19048(0) 12M-18241(B)	V313 V405
16AY211, 17AY24: M-1611A, M-1612A, M-1613A, C-1614A, C-1615A, C-1616A, RC-1618A, RC-1619A, M-1711A, M-1712A, M-1713A, C-1714A, C-1715A, C-1716A, RC-1718A, RC-1719A	12M-19407-2 [ⓐ] 201-19533 [ⓐ] 201-19817	X109 X109 X109	201-19490	Y70F08	13M-18233(W) 13M-19499(L)	201R1A 201R17	12C-19048(0) 12M-18241(B)	V313 V405

MANUFACTURER MODEL NUMBER AND CHASSIS	HORIZONTAL OUTPUT		DEFLECTION YOKE		WIDTH COIL W LINEARITY COIL L		VERTICAL OUTPUT O VERTICAL BL. OSC B	
	MFRS. PART #	RAM #	MFRS. PART #	RAM #	MFRS. PART #	RAM #	MFRS. PART #	RAM #
RAYTHEON (Cont'd)								
16AY212: M-1626	12M-18689-2	X108	201-19489	Y70F08	13M-18233(W) 13M-19320(L)	201R1A 201R5A	12C-19048(O) 12M-18241(B)	V313 V405
17AY21A: C-1729A, C-1731A, M-1726A, M-1728A	201-19817-3	X109	201-19490-1	Y70F08	13M-18233(W) 201-20186(L)	201R1A 201R5A	12C-19048(O) 12M-18241(B)	V313 V405
17AY27: RC-1720A	201-19817,-1	X109	201-19490 201-20764	Y70F08 Y70F08	13M-18233(W) 13M-19499(L)	201R1A 201R17	12C-19048(O) 12M-18241(B)	V313 V405
17T1, 17T2, 17T4, 17T5, 21T1, 21T2, 21T5, 21T8: C-1735A, C-1736A, C-2108A, C-2109A, C-2110A, C-2111A, M-1733A, M-1734A, M-2107A	201-21025,-1	X111	201-21130(O) 201-21514(O)	Y70F08 Y70F08			12C-20761-1(O) 12M-18241-3(B)	V312 V405
17T18, 21T19, 21T20: M-1750A, C, G, K, -17510, F, -1752E, L, -2160A, C, G, K, -21610, F, -2162E, L, C-2164	12E-23939		201-23744 13M-23755 201-24056	Y70F08/43 Y70F08/43 Y70F08/43			12E-23726(O)	V310*
20AY21: C-2001A, C-2002A, C-2006A, RC-2005A	201-19999,-1 201-19874(O)	X110 X110	201-19947	Y70F10/43	13M-18233(W) 13M-19499(L) 13M-20002(L)	201R1A 201R17 201R12	12C-18734-1(O) 12M-18241-1(B)	V309# V405
21AY21: C-2103A, C-2105A, M-2101A	201-19999,-1	X110	201-20936	Y70F10/43	13M-18233(W) 201-20186-1(L)	201R1A 201R5A	12C-19849(O) 12M-18241-1(B)	V308 V405
21T3: C-2112A, C-2113A, C-2114A, C-2115A, C-2116A, C-2118A, RC-2117A	201-21270,-1	X110	201-21524	Y70F08	13M-18233(W) 201-20186-1(L)	201R1A 201R5A	12C-19849(O) 12M-18241-1(B)	V308 V405
21T8: UC-2139A, UC-2141A, UC-2142A, UC-2144A, UC-2145A, UM-2133A, UM-2134A, UM-2135A, UM-2136A	201-22396,-1	X112	201-22697	Y70F08			12C-20761(O) 12M-18241(B)	V312 V405
21T11: C-2137A, C-2138A, M-2131A	201-22396,-1	X112	201-22697	Y70F08			12C-20761-2(O) 12M-18241-3(B)	V312 V405
24T2: UC-2403A, UC-2404A, UC-2405A, UC-2406A	201-22382,-1	X112	201-22857	Y90F12/47	201-20186-1(L)	201R5A	12C-20761-2(O) 12M-18241(B)	V312 V405
24T3: C-2401A, C-2402A	201-22382,-1	X112	201-22857	Y90F12/47	201-20186-1(L)	201R5A	12C-20761-2(O) 12M-18241(B)	V312 V405

⊙ Ch. 16AX26 ⊙ Ch. 16AY211 ⊙ Ch. 17AY21 ⊕ Code 11 ⊕ Code 13 ⊕ Group Numbers 14, 200 and Higher ⊕ 17-Inch CRT
⊕ 21-Inch CRT ⊕ Used with Flyback 12M-19407-2 ⊕ Used with Flyback 12M-19407-1 ⊕ Mod. RC-2005A ⊕ Used with Flyback 201-19874

RCA	MFRS. PART #	RAM #	MFRS. PART #	RAM #	MFRS. PART #	RAM #	MFRS. PART #	RAM #
KCS20A, B1, B2, D, J1, K2: KCS25A1, C2, D1, E2: 8TS30, 8TV41, 690T5, TCS, 641TV	71416	X036	71420	Y70F08	71429(W) 71449(L)	201R1A 201R3A	71417(O) 71418(B)	V301 V401
KCS21-I, KCS26,-2, KCS27-I,-1,-2: 721T1S, TCS: 730TV1, TV2	71416	X036	71777	Y70F08	71429(W) 71449(L)	201R1A 201R3A	71774(O) 71775(B)	V301 V401
KCS24-I, B1, C1, D, KRS20-I, A1, B1, KRS21-I, A1: 8PCS41, B, C; 9PC41A, B, C; 648PTK, PV: 741PCS	72178		72196		72180(W)		72952(O) 71775(B)	V301 V401
KCS28, A, B, C, KCS32, A, B, C, KCS30-I: 8T241, 8T243, 8T244, 8TK29, 8TR29, 8TV321, B, 8TV323, B, 9T240, 9T246, 9TC240, 9TM333	73570	X036	71420	Y70F08	71429(W) 71449(L)	201R1A 201R3A	73568(O) 73569(B)	V304 V402
KCS29, A, C, KCS33A-I: 8T270, 8TC270, 8TC271, 8TK320, 9T270, 9TC272, 9TC275	74145	X077	74141 7426(O)	Y70F08 Y70F08	71429(W) 71449(L)	201R1A 201R3A	73568(O) 74144(B)	V304 V402
KCS31-I: S1000, 9TM390	74145	X077	74141	Y70F08	71429(W) 71449(L)	201R1A 201R3A	73568(O) 74144(B)	V304 V402
KCS34, B, C, KCS38, C: T100, T120, T121, TC124, TC125, TC127, 9T246, 9T256, 9TC245, 9TC247, 9TC249	74588 74876(O)		71420	Y70F08	71429(W) 71449(L)	201R1A 201R3A	74587(O) 74875(O)⊕ 73569(B)	V311 V402
KCS40, A, B, KCS43: T164, TA169, TC165, TC166, TC167, TC168, 6T72	74951	X068	74952	Y70F30/3 W/PLUG	71449(L)	201R3A	74950(O) 73569(B)	V306 V402
KCS41-I, KCS41A-I, KCS42A: TA128, TA129, 9TM309	74588		74262	Y70F08	71429(W) 71449(L)	201R1A 201R3A	74875(O) 73569(B)	V306 V402
KCS45, A, KCS46, KCS61, KCS62: 2T51, 2T60, 2T81, 4T101, 4T141	7524(O) 7615(O)	X124	7520(O) 7613(O)	W/PLUG W/PLUG	74945(W) 71449(L)	201R3A	75208(O) 76139(B)	V306
KCS47, A, AT, B, C, D, E, F, G, GF-2, T, KCS49B, C: 6T53, 6T54, 6T64, 6T65, 6T71, 6T74, 6T75, 6T76, 7T103, 7T104, B, 7T118, 7T112, B, 7T122, B, 7T123, B, 7T124, 7T125, B, 7T132, 9T105, 9T126, 9T128, 16T152	75519 7558(O) 7638(O)	X124 X124 X124	74952	Y70F30/3 W/PLUG	75516(W) 71449(L)	201R3A	74950(O) 74144(B)	V306 V402

MANUFACTURER MODEL NUMBER AND CHASSIS	HORIZONTAL OUTPUT		DEFLECTION YOKE		WIDTH COIL (W) LINEARITY COIL (L)		VERTICAL OUTPUT (O) VERTICAL BL. OSC. (B)		
	MFRS. PART #	RAM #	MFRS. PART #	RAM #	MFRS. PART #	RAM #	MFRS. PART #	RAM #	
RCA (Cont'd)									
KCS48, A, T, KCS49, A, AT, T; KCS60, A, T: 6T84, 6T86, 6T87, 7T143, 9T57, 9T77, 9T79, 9T89, 9T147	75519 75585	X124 X124	74952		Y70F30/3 W/PLUG	71449(L)	201R9A	74950(O) 74144(B)	V306 V402
KCS66, KCS74, M1, A, C, D: 17T150, 151, 153, 154, 155, 160, 162, 163, 172, 172K, 173, 173K, 174, 174K; 17T250DE, 17T261DE	76430 76795	X080 X080	76616		Y70F14/43	76441(W) 76442(L)	201R16 201R15	76431(O)	V307
KCS68C, E, F: 21T176, 177, 178, 179	76501 76672	X125 X125	76653		Y70F14/3	76484(W) 76483(L)	201R13A	76494(O) 74144(B)	V306 V402
KCS72, A, M2: 17T200, 201, 202, 211, 220; 21T207, G, 208, 217, 218, 227, 228, 229	76795	X080	76616		Y70F14/43	76441(W) 76442(L)	201R16 201R15	76978(O)	V311
KCS77C, D, F, H: 27D-382, U, -383, U, -384, U	77833	X125	77868		Y70F14/43	76484(W) 78197(L)	201R15	77823(O) 77650(B)	V307 V405
KCS78, B, F, H, J: 17S-351, U, -360, U; 17T-302, U, -310, U, -352U, -361, U, -301, U	76795	X080	77697 76616		Y70F14/43 Y70F14/43	76441(W) 76442(L)	201R16 201R15	77636(O)	V307
KCS78, A, B, 82, A, B, D, E: 17T-301, U, -302, U, -310, U; 21T-303, U, -313, G, U, GU, -314, G, U, GU, -315, U, -316, U, -322, U, -323, U, 324, U, -342, U, 344, U; 17S-349, G, GU, U, -350, G, GU, U, -351, U, -360, U	76795	X080	77697		Y70F14/43	76441(W) 76442(L)	201R16 201R15	77636(O)	V307
KCS81, A, B, D, E, F, J: 21D-305, U, -317, U, -326, U, -327, U, -328, U, -329, U, -330, U, -346, U, -368, U, -376, U, -377, U, -378, U, -379, U, -380, U	76501	X125	76655 78278		Y70F14/3 Y70F14/3	76484(W) 76483(L)	201R13A	76494(O) 77650(B)	V306 V405
KCS83, A, B, C, D, E, PC, PD, PJ, PK, PL, PM: 21S-353, U, G, GU, -354, U, G, GU, -355, U, G, GU, -357, G, GU, -359G, GU, -362M, MU, G, GU, -367, U, G, GU, -369G, GU; 21T-356U, -363, U, -364, U, -365, U, -372, U, -373, U, -374, U, -375, U	78201	X128	76616 77697		Y70F14/43 Y70F14/43	78205(W) 76442(L)	201R16 201R15	78202(O)	V305
KCS83F, H: 21T-392, U, -393, U	78201	X128	76616		Y70F14/43	78205(W) 76442(L)	201R16 201R15	78202(O)	V305
KCS84C, E: 24T-420, U, -435, U	78810	X128	78869			76441(W) 76442(L)	201R16 201R15	78809(O)	V305
KCS84, F, H, J, K, 89, A, B, C: 24-D-542, U, -543, U, -544, U; 24S-529, U, -531, U, -532, U	78810	X128	79490 78869			76441(W) 76442(L)	201R16 201R15	79382(O) 78809(O)D 79397(B)	V305 V405
KCS87, A, C, D: 17S-450, U, -451, U, -453, U, -500, U	79736	X128	79510 79868		Y70F14/43 Y70F14/43	79144(W)	201R16	79143(O)	V307
KCS88, A, B, C, D, E, F, H, J, K, L, M, N, O, P, V, VA: 21S-348K, KU, -355K, KU, -357K, KU, -362K, KU, -367K, KU, -369K, KU, -501(U), -502(U), -503(U), -504(U), -505(U), -506(U), -517(U), -518(U), -519(U), -521(U), -522(U), -523(U), -525(U), -526(U), -537(U), -548, U, -5251(U), -5252(U)	79145	X128	77697		Y70F14/43	79144(W)	201R16	79143(O)	V307
KCS90, A: 21-D-527, U	78810	X128	77625			76441(W) 76442(L)	201R16 201R15	79394(O) 79379(B)	V307 V405
KCS92, B, C, D, F, H, J, K, L, M: 21S-519N, NU, -521N, NU, -522N, NU, -523N, NU, -526N, NU, -537N, NU, -548N, NU	79870	X128	79490 78869			79144(W) 76442(L)	201R16 201R15	79143(O)	V307
CTC2: CT-100	79012		79116			79010(W)		77823(O) 74144(B)	

Ⓢ Ch. KCS78F, H (Mod. 17S-351, U, -360, U) Ⓢ Ch. B1, B, D, E Ⓢ Ch. KCS83, A, C, D, PC, PD, PJ, PK, PL, PM Ⓢ Ch. KCS33A-1
 Ⓢ KCS38C Ⓢ Ch. KCS47B, C, D, KCS49BC Ⓢ Ch. KCS47F, G, GF-2 Ⓢ Ch. KCS49, A, T, AT, KCS60, A, T, KCS48A Ⓢ Mod. 4T101, 4T141
 Ⓢ Mod. 2T51, 2T60, 2T81 Ⓢ Ch. KCS66D, C, KCS74, M1 Ⓢ KCS84 Ⓢ Color Set Ⓢ KCS87C, D Ⓢ Mount on Tuner Bracket

REGAL	MFRS. PART #	RAM #	MFRS. PART #	RAM #	MFRS. PART #	RAM #	MFRS. PART #	RAM #
CD31, 36, 16T31, 36, 1631	T30-43	X077	T30-12	Y70F08	T30-45(W) T30-44(L)	201R4 201R5A	T140-9(O) T30-20(B)	V301 V401
1007, 1030, 1207, 8, 30; 1607, 8	T30-15	X036	T30-12	Y70F08	T30-17(W) T30-16(L)	201R1A 201R3A	T140-9(O) T30-20(B)	V301 V401
1931, 1936, 2217: 17, 20H031, 36; 19C31, 36; 19D31, 36; 20C31, 36; 20D31, 36	T30-51	X077 Ⓢ	T30-52	Y70F10	T30-45(W) T30-44(L)	201R4 201R5A	T140-9(O) T140-7(B)	V301 V401

MANUFACTURER MODEL NUMBER AND CHASSIS	HORIZONTAL OUTPUT		DEFLECTION YOKE		WIDTH COIL (W) LINEARITY COIL (L)		VERTICAL OUTPUT (O) VERTICAL BL. OSC. (B)	
	MFRS. PART #	RAM #	MFRS. PART #	RAM #	MFRS. PART #	RAM #	MFRS. PART #	RAM #
REGAL (Cont'd) 2217: 17T22, 22DX, C22: 20C22DX, 20D22, DX, T22, DX; 22D17, DX, 1708, DX	140-121	X032	T30-52	Y70F10			T140-9(O) T140-8(B)	V301 V401
Code 88: 2218, 2219, DX, 22D19, DX	140-126	X053	30-213 30-52	Y70F08 Y70F10	T30-17(W) T30-16(L)	201R1A 201R3A	T140-9(O) T140-8(B)	V301 V401
Code 90-91	140-126	X053	30-213	Y70F08	T30-16(L)	201R3A	T140-9(O) T140-8(B)	V301 V401
Code 91,96,101: 1731 Thru 1736; 2031 Thru 2036; 2131 Thru 2136; 2431 Thru 2436	T30-51 T30-237	X077 X050	T30-52 30-23	Y70F08 Y70F12 Y70F10	30-258(W) 30-258(L)	201R12 201R12	T140-9(O) T140-7(B)	V301 V401
20 Series-Code 88, 90, 91, 93, 94, 99, 121: 17C, 17T, 20C, 20T, 21H20, 24H20	140-121 140-126	X032 X053	30-213	Y70F08	T30-16(L)	201R3A	T140-9(O) T140-123A(O) T140-8, A(B)	V301 V301 V401
21 Series-Code 100, 103, 104, 109, 111, 114, 155	140-138 140-150	X053 X094	30-2138 30-269	Y70F08	T30-16A(L)	201R3A	T140-123A(O) T140-8A(B)	V301 V401
22 Series: 22-17, -20	T30-58	X035	140-11	Y70F08	T30-17(W) T30-16(L)	201R1A 201R3A	T140-10(O) T140-8(B)	V301 V401

ⓐ Code 99 ⓑ Code 121 ⓒ Code 101 ⓓ Code 96 ⓔ Use 201R11 Sec. For AGC ⓕ Use 201R14 Sec. For AGC ⓖ 90-Degree chassis

SCOTT (MECK)	MFRS. PART #		MFRS. PART #		MFRS. PART #		MFRS. PART #	
	MFRS. PART #	RAM #	MFRS. PART #	RAM #	MFRS. PART #	RAM #	MFRS. PART #	RAM #
XA701, XB702, XC703, XL750	TO-10020	X036	TO-10026	Y70F08	TOA-10023(W) TO-10024(L)	201R1A 201R3A	TO-10021(O) TO-10022(B)	V301 V401
X0B, X0A, X0R, X0A, X0PT, X0A, X0STP, X0A, X0R	TO-10028	X036	TO-10026	Y70F08	TOA-10023(W) TO-10024(L)	201R1A 201R3A	TOB-10045(O) TO-10022(B)	V304 V401
X0770, 777, X0752, X0775, X0776, X0A776, X0778, X0786, X0785	TO-10028	X036	TO-10026	Y70F08	TOA-10023(W) TO-10024(L)	201R1A 201R3A	TO-10021(O) TOA-10030(B)	V305 V401
MMS10T, 512T, 516C, 516T, X0B, X0A, X0R, X0A, X0PT, X0A, X0STP, X0A, X0R, X0900	TO-10028	X036	TO-10026A	Y70F08	TOA-10023(W) TO-10024(L)	201R1A 201R3A	TO-10045(O) TOA-10030A(B)	V305 V401
9018: MM14C, T: 616C, T: 619C, XSB, XSC, XSD	THC10001, 5	X035	TO-10026A	Y70F08	TOA-10023(W) TO-10024(L)	201R1A 201R3A	TOB-10045(O) TOA-10030A(B)	V304 V401
9021, 9022, 9023, 9024: JM717C, CU, T, TU; JM720C, CU, T, TU; M616C, T; JM721C, CD; M720C, T, 721C, 721CD; M617C, T, 20C, T	THC10000, 2	X035	YDB10000A YDB10001B YDB10000A	Y70F08 Y70F10/43 Y70F08	TOA-10023(W) TO-10024(L)	201R1A 201R3A	TOB-10045E(O) TOA-10051A(B)	V308 V405
9026, 9031A, 9032A, 9040, 9041: MM-617, T, 620C, T, -621C, RPT, RPTB, T; JM-717C, T, -721C, CD, D, T, -720C, T	THC-10016 THC-10017B THC-10003	X050 X050 X050	YDB-10001C YDB10006A	Y70F10/43 Y70F14/43	LVA-10001A(W) TO-10023(W) LVA-10000(L)	201R1A 201R1A 201R5A	TOB10045H(O) TOB10061(O)	V308 V302
9029, 9031, 9036, 9037, 9038, 9039: 6T11, A; 300; 520T, TA; 710, A, X; 720, A; 817C, T, TU; 820C, CU, T; 821C, C, B, D, T, TB; 910; 920, A; 924, A, W, X, XW; 1000TC; 1817CU	91L3265 91L3607 91W5014 THC10002 91W5015 91Y5291 THC10003 THC-10017, B, C THC-10016, B	X036 X036 X035 X035 X069 X050 X050 X050	20Q3811 98W5031 YDB-10000A YDB-10001A, B C 98Y5290 YDB-10006	Y70F08 Y70F10/43 Y70F10/43 Y70F10/43 Y70F14/43 Y70F14/43	20Q3853(W) 20W5012 OR (W) TO-10023, C(W) 20Y5296(W) LVA-10001A(W) 20L3344(L) 20W5013(L) 20Y5297(L) LVA-10000(L)	201R1A 201R1A 201R1A 201R1A 201R1A 201R3A 201R3A 201R5A	91L3318(O) 91W5017 OR (O) TOB-10045C(O) TO (A) B-10057 (O) TOA-10061(O) TOB-10045E, F, H (O) 91L3317(B) 91W5018(B)	V301 V309 V309 V312 V302 V308 V405 V401
9043, 9044, 9045: 817CT, 821C, CB, D, DB, DBH, RC, RCH, T, TB, 100TC, TCH, 1521TB, TBB, 2521TMB, B24C, CH, DB, DBH, DM, DMH	THC-1002 TOB-10045H	X050	YDB-10001C YDB-10014	Y70F10/43	TOA-10023(W)	201R1A	TOB-10045H(O) TOB-10061(O)	V308 V302
9047, 9048, 9049, 9050, 9051, 9053, 9054, 9055, 9068, 9070, 9071: 17HT, PT, GT, GC, PTRC, PTSRC, PTS, PTS2; 20PT, PTRC, PTSRC, PTS, PTS2; 21FT, FTS, FTS2, FTL, FC, FCS, FCS2, PCL, FTTC, FTSRC, FTS2RC, FTLRC, 1001TC, TM, TB, 5040TC, TM, 5060TB, 1521TC, TM, TA, 1821T, TB, C, CB, 1824C, CB, D, DB	THC-10017B THC-10021 THC-10018 THC-10019 THC-10020	X050 X050 X050 X050 X050	YDB10001C YDB10014 YDB10002 YDB10003 YDB10015	Y70F10/43 Y90F12/47	TOA-10023C(W)	201R1A	TOB10045H(O) TOB10061(O)	V308 V302

ⓐ Alternate ⓑ Mod. 6T11, A ⓒ Mod. 300 ⓓ Mod. 710, A, X, 720, 910, 920 ⓔ Mod. 710, A, X, 720, 910 ⓕ Mod. 924 ⓖ Ch. 9024
ⓗ Ch. 9026, 9027, 9029 ⓘ Ch. 9026, 9027, 9031, 9038, 9039 ⓙ Ch. 9029, 9031, 9036, 9037, 9038, 9039 ⓚ Ch. 9036, 9037, 9038, 9039;
Mod. 300 ⓘ Ch. 9038, 9039 ⓛ 24-Inch Sets ⓜ Sets Using 1X2 Rectifier ⓝ Ch. 9040, 9041 ⓞ Ch. 9032 ⓘ Ch. 9051, 9049
ⓟ Use Pins 8-10 For AGC ⓠ Use Pins 8-9 For AGC ⓡ Use Two Filament Turns

MANUFACTURER MODEL NUMBER AND CHASSIS	HORIZONTAL OUTPUT		DEFLECTION YOKE		WIDTH COIL W/ LINEARITY COIL (L)		VERTICAL OUTPUT O/ VERTICAL BL. OSC B	
	MFRS. PART #	RAM #	MFRS. PART #	RAM #	MFRS. PART #	RAM #	MFRS. PART #	RAM #
SENTINEL Ⓐ 401, 402, 406, 411	22E34Ⓐ	X036	2E80	Y70F08	20E409(W)	201R1A	22E33(0)Ⓐ	V301
	22E34-2	X036	30E141	Y70F08	20E415(W)Ⓐ	201R1A	22E39(0)	V305
407, 409	22E42		30E141-1	Y70F08	20E639(W)	201R1A	22E31(B)Ⓐ	V401
			30E141-2	Y70F08	20E410(L)	201R3A	22E63(B)	V401
			30E141-2	Y70F08	20E409(W)	201R1A	22E39(0)	V305
			30E141-3	Y70F08	20E415(W)Ⓐ	201R1A	22E38(B)	V405
412, 413, 414, 415, 421, 422	22E44		30E141-3	Y70F08	2E98(W)Ⓐ	201R1A	22E39(0)	V305
					2E98-2(W)	201R4		
					20E524(L)	201R5A		
416	22E54	X036	30E162	Y70F08	20E409(W)	201R1A	22E58(0)Ⓐ	V313
					20E415(W)Ⓐ	201R1A	22E63(0)	V313
					20E639(W)	201R1A	22E55(B)	V405
					20E524(L)	201R5A		
419, 420, 425, 428, 432, 435	22E57Ⓐ	X047	30E164	Y70F08	20E409(W)	201R1A	22E51(0)Ⓐ	V313
			30E164-2	Y70F08	20E415(W)Ⓐ	201R1A	22E63(0)	V313
			30E164-uⒶ	Y70F08	20E639(W)	201R1A	22E55(B)	V405
			30E168	Y70F08	20E524(L)	201R5A		
420B, 423, 424	22E61	X066	30E164, -2	Y70F08	20E409(W)	201R1A	22E51(0)	V313
			30E168	Y70F08	20E639(W)	201R1A	22E55(B)	V405
			30E164-3Ⓐ	Y70F08	20E524(L)	201R5A		
429, 430, 431	22E61-3	X066	30E164	Y70F08	20E409(W)	201R1A	22E51(0)	V313
			30E164-2	Y70F08	20E639(W)	201R1A	22E55(B)	V405
438, 439, 440, 441, 443, 444, 446, 447, 448, 449, 450, 451, 452, 453	22E67	X066	30E164-5Ⓐ	Y70F08/43	20E409(W)	201R1A	22E63(0)	V313
			30E164-7	Y70F08/43	20E639(W)	201R1A	22E55-2(B)	V405
			30E176Ⓐ	Y70F08/43	20E688(L)	201R15		
454, 455, 456, 457, 464, 465, 466	22E75		20E788	Y70F25/3			22E72(0)	V306
			20E788-2	Y70F25/3			22E70(B)	V405
458, 459, 460, 461	22E80	X110	20E802-2	Y70F14/43	20E409(W)	201R1A	22E63(0)	V308
					20E639(W)	201R1A	22E55-2(B)	V405
462, 463	22E84		20E814		20E820(L)	201R15	22E81(0)	V307
			20E814-2				22E70(B)	V405
			20E814-3					
500, 510, 511, 512, 513, 515, 520, 521, 522, 523, 525, 600, 610, 612, 620, 622	22E75		20E788-2	Y70F25/3			22E72(0)	V306
							22E70(B)	V405
532, 542, 552, 554, 562, 564, 631, 632, 641, 642	22E84		20E814-2		20E820(L)	201R15	22E81(0)	V307
							22E70(B)	V405
581, 582, 584, 585	22E80	X110	20E802-2	Y70F14/43	20E685(W)	201R15	22E63(0)	V313
					20E688(L)	201R15	22E55-2(B)	V405
701, 711, 714, 721, 724, 752, 755, 758, 762, 765, 768, 791	22E947	X110	20E788-5	Y70F25/3	22E952(W)		22E72-2(0)	V306
							22E89(B)	V405
901, 911, 914, 921, 924, 991, 1001, 1011, 1014, 1021, 1024, 1091, 2911, 2914, 21011, 2104	20E995	X123	158426-1-2	Y90F19/43			22E97(0)	V405
			158385-1	Y90F19/43			158477-1(0)	V405
							158255-3-1(B)	V405

Ⓐ All Models Listed Below Are Prec. By "1U" Designation Ⓐ Mod. 412 Ⓐ Mod. 419, 428, 432 Ⓐ Mod. 420 Ⓐ Mod. 423
 Ⓐ Mod. 423, 424 Ⓐ Mod. 425, 435 Ⓐ Mod. 438, 439, 440, 441, 447, 448, 452 Ⓐ Mod. 451 Ⓐ Repl. By 20E639 Ⓐ Repl. By 22E34-2
 Ⓐ Repl. By 22E39 Ⓐ Repl. By 22E63 Ⓐ Supercedes 22E54

	MFRS. PART #	RAM #	MFRS. PART #	RAM #	MFRS. PART #	RAM #	MFRS. PART #	RAM #
SHAW 630 Types: 119, 600, 600-19, 610, 610-19, 616, 619, 719, 819, 919, 1016, 1019, 1216, 1219, 1316, 1416, A, 1419, A, 1516, 1519, 1619, 1816, 1819, 1920, 2019	T-1198	X066	L-1200	Y70F10	L-1032(W)	201R11	T-1035(0)	V310
					L-1031(L)	201R12	T-1036(B)	V405
(X) 224-Runs 301 Through 307: 121, 421, 921, 1521, 2021, 2221, 2321, 2521, 2621, 3021, 3321, 3421, 3521, 4021, 4221, 4321, 4421	T-1290	X066	L-1385	Y70F10/43	L-1355(W)	201R4	T-1361(0)	V313
					L-1031(L)	201R12	T-1036, -1(B)	V405
X324-Run 401 Through 403	T-1570	X069	L-1579Ⓐ	Y70F14/43	212R1(W)	201R16	T-1571(0)	V405
					L-1579Ⓐ	Y70F20/43	213R1(L)	201R15
324:	230T1	X080	211D1	Y70F14/43	212R1(W)	201R16	T-1571(0)	V313
					220D1Ⓐ	Y90F12/47	213R1(L)	201R15

Ⓐ Early Models Ⓐ Late Models Ⓐ 90-Degree Chassis

MANUFACTURER MODEL NUMBER AND CHASSIS	HORIZONTAL OUTPUT		DEFLECTION YOKE		WIDTH COIL (W) LINEARITY COIL (L)		VERTICAL OUTPUT (O) VERTICAL BL. OSC. (B)	
	MFRS. PART #	RAM #	MFRS. PART #	RAM #	MFRS. PART #	RAM #	MFRS. PART #	RAM #
SILVERTONE								
100.107, -1: 133, 149	W508058	X036	W507791	Y70F08	W508218(W) W162056(L)	201R11 201R12	W508059(O) W508076(B)	V305 ■ V401 ■
100.111, 100.115: 142, 143, A	W508883	X045	W508675	Y70F10/43	W508667(W) W162190(L)	201R14 201R5A	W508674(O) W508076(B)	V308 ■ V401 ■
100.112, 100.120, 100.121: 161-16, 165-16, 193-16	W508679	X045	W508675	Y70F10/43	W508667(W) W162190(L)	201R14 201R5A	W508674(O)Ⓚ W508956(O) W508076(B)	V308 ■ V308 ■ V401 ■
100.208, -1: 1176-21, 1186-21, 2195-21	W509384	X096	W115228	Y70F10/43	W509361(W)	201R13A	W509375(O) W508076(B)	V313 V401 ■
100.209, -1, -2, -3, -4: 2130, 2170C, D, E, 2172, 3170B, 3177, 3127, 3187, 3195	W520489	X096	W115228	Y70F10/43	W509361(W)	201R13A	W509375(O) W508076(B)	V313 V401 ■
100.400, 100.425, -1 THRU 8: 3181, 3185, 3187A, 3136, 3177A, 3191B, 3196, 3198	W521066	X076	W520942	Y70F14/43			W520975(O) W520980(B)	
101.846, 101.854, 101.864: 8132, 8133, 9122	R65441	X036	R65461	Y70F08	R65452(W) R65453(L)	201R1A	R65451(O) R65428(B)	V301 V401
101.865, 101.866, 101.867, 101.868: 9121, 9122A, B, 9128A, B, 9119, 9120, 9133, 9134	R70155	X036	R65461	Y70F08	R65452(W) R67085(L)Ⓚ R65453(L)	201R1A 201R3A	R65451(O) R65428(B)	V301 V401
101.865-1, -2, 101.866-1: 9120A, B, 9134A	R70930	X036	R65461	Y70F08	R65452(W) R65453(L)	201R1A 201R3A	R65451(O) R65428(B)	V301 V401
110.100: 3189	PC10155	X094	PC28326	Y90F12/47	PA28318(W) PB28327(L)	201R13A 201R15	PC10115-6(O) PB10106-2(B)	V310 V405
110.101: 4143C, 4145C, 4155C	PC10171		PC28384	Y70F14	PB28318-1(W) PB28292(L)	201R13A 201R3A	PC10170(O) PB10106-3(B)	V405
110.489, A, B, -10A, -10B: 9111, 9113, 9123, 9129	A1095	X036	A28261	Y70F08	A28258-1(W) A28259(L)	201R1A 201R1A	A1352(O) A1099(B)	V310 ■ V405
110.489-1, A, B, -2, A, B, -3, A, B, -11, A, B, -12A, B, -21A, B, -22A, B, -33A, B: 9114, 9124, 9126, 9127, 9130, 9132, 9135, 9139, 9140, 9112	A10100	X036	A28261	Y70F08	A28258-1(W) A28258-2(W) A28259(L)	201R1A 201R1A 201R1A	A1352(O) A1099(B)	V310 ■ V405
110.489-7A, -7B, -8A, -8B: 115, 135	FC10107	X035	PC28278	Y70F08	A28258-2(W) A28259(L)	201R1A 201R1A	A1352(O) A1099(B)	V310 ■ V405
110.700, -1, -2, -10, -40, -50: 111, 113, 116, A, 127-12, 131, A, 134, 139, 140, 177- 19, 189-16, 191-16	A10104 A10108	X066 X066	A28278-2 A28261Ⓚ	Y70F08 Y70F08	A28258-2(W)Ⓚ A28279(W) A28279(L)Ⓚ A28292(L)	201R1A 201R1A 201R1A 201R3A	A1354(O)Ⓚ A10115(O) A10106(B)	V304 ■ V310 V405
110.700-100, -104, -120, -136, -140, -150: 1117-17, 1130-17, 1130A-17, 1141-20, 1145-20, 1162-17, 1172-17, 1173-20, 1181-20, 1183-21, 1188-20, 1191-17, 2100, 2150, 2190	A10104 A10135	X066 X066	A28278-3Ⓚ A28302-1 A28317-3Ⓚ	Y70F08 Y70F08 Y70F08	A28279-1(W) A28292(L)	201R1A 201R3A	A10115-4(O) A10134(B)	V310 ■
110.702-10	A10126	X054	A28301-3	Y70F30	A28279-2(W)	201R1A	A10115-5(O) A10106(B)	V310 V405
110.817-1, -6, -10, -11, -43, -46, -81, -86, 110.820-1, 110.821A-6, -10, -25, -35: 2100, 2140, 2150A, 3100, 3101, 3102, 3120, 3131, 3140, 3150, -J, 3151, 3170A, 4101, 4103, 4105, 4106	A10136 A10137	X075 X075	A28323-3Ⓚ A28328 A28329 A28330 A28322-1Ⓚ A28278-3Ⓚ	Y70F08 Y70F08 Y70F08 Y70F08 Y70F08 Y70F08	A28279-1(W)Ⓚ A28318-1(W) A28292(L)	201R1A 201R3A 201R3A	A10152(O) A10152-1(O) A10106(B)	V312 V312 V405
132.024, -1, -2, -3, -4, -5, -6, -7, -8, -31, 132.035, -2, 132.044-3, 132.045, 132.035, -3: 2105A, 2134A, B, 2174, 3105, 3106, 3145, 3146, 3171, 3174, 3175, A	N24989	X074	N24807	Y70F20/43	N40027(W) N40028(L) N24991(W)	201R14 201R12 201R14	N24990/1(O) N22446-1(B)	V312 V402
132.068: 4170	N40513	X094	N40537	Y90F12/47	N400532(W) N400533(L) N22562(W)	201R14 201R15 201R10	N41092-1(O) N22446-1(B) N22905-1(O)	V302 V402 V313
132.889, -1, -2: 106, 107, 141	N23089		N23085	Y70F17				
132.890, -3, -4, -5: 179-16, 180-16, 194-16, 195-16	N23802-1		N23817 N24283Ⓚ	Y70F14/43 Y70F14	N23894(W)	201R10	N23657(O)Ⓚ N23657-1, -2(O) N22446-2(B)	V308 V308 V402
456.150-1, -2, 456.200, -1, -2, -3, -4, -6, -11, -12, -13, -14, -16, -21, -22, -23, -24, -26, -111, -112, -113, -114, -115: 1268- 21, 1270-21, 1271-21, 1272-21, 1273-21, 1274-21, 1275-21, 1260, 1266, 4120	PMC56002	X074	PMA56000 PMB97213	Y70F14/43 Y70F14/43	PMA56003(W) PMA56001(L)	201R15 201R12	PMA56004(O) PMA56005(B)	V312 V405
456.201, -31, -32, -33, -51, -52, -53	PMC56017	X094	PMC97281		PMA56019(W) PMA56003(L)	201R14	PMB56016(O) PMA56005(B)	V307 V405

MANUFACTURER MODEL NUMBER AND CHASSIS	HORIZONTAL OUTPUT		DEFLECTION YOKE		WIDTH COIL (W) LINEARITY COIL (L)		VERTICAL OUTPUT (O) VERTICAL BL. OSC. (B)	
	MFRS. PART #	RAM #	MFRS. PART #	RAM #	MFRS. PART #	RAM #	MFRS. PART #	RAM #
SILVERTONE (Cont'd) 478.210: 9131	TTR154	X036	TTR159D	Y70F08	TLF505(W) TLF506(L)	201R1A 201R3A	TTR153(O) TTR152(B)	V301 V401
478.252,-3,478.253-1,478.257: 125, 9125, A, B	TTR181D	X036	TTR159D	Y70F08	TLF505D(W) TLF506(L)	201R1A 201R3A	TTR153-4(O) TTR185D(O) TTR152-2(B)	V305 V305 V401
478.257-1,478.289,478.302,478.303,A: 110, A, 112, 114, 125B	TTR186D	X066	TTR159D	Y70F08	TLF505D(W) TLF-506, DA(W) TLF506(L)	201R1A 201R3A 201R3A	TTR153-2D(O) TTR185D(O)⊗ TTR161D(B)⊗	V304 V305 V405
478.309-311: 120, 159	TTR210 TTR212 TTR209	X045 X045 X045	TTR201D	Y70F08	TLF553D(W) TLF569(W) TLF506(L)	201R10 201R10 201R3A	TTR185D(O) TTR161D(B)	V305 V405
478.312,478.319,478.337,478.339, A, B, 478.341,478.361, A,478.375,-6: 128-16, 153-16, 163-16, 166-16,-17, 144, 1132- 17, 1150-14, 1163-17, 1166-17	TTR209D	X045	TTR201D TTR224D⊗	Y70F08 Y70F30	TLF553D(W) TLF506(L)	201R10 201R3A	TTR185D(O) TTR161D(B)	V305 V405
478.313: 164-14	TTR219D	X066	TTR220D	Y70F10	TLF529D(W) TLF506, DA(L)	201R3A	TTR185D(O) TTR152-2(B)	V305 V401
478.338: 150-14	TTR208D	X068	TTR217D	Y70F30	TLF506DA(W)	201R3A	TTR153-4D(O) TTR1612D(B)	V305 V405
478.380,478.381: 1175-21, 1182-21, 1189-21	TTR253D1	X045	TTR227D TTR224D TTR242D	Y70F30 Y70F08	TLF618D(W) TLF619D(L)	201R10 201R10	TTR264D(O) TTR1612D(B)	V405
528.239,-1, .247,-1,-2, .249-1, .256, .261,-1,-2,-3, .263,-1,-2, .264,-1, .270, .286: 2170F, 3170C, D, 4140, D, 4143D, 4145, D, 4150, D, 4153, D, 4155, D, 3171A, 31518, 31128, C, 4113, 4118, 4127, 3150L, 3109, 4115, 4139, 4149, 3151A, 3112A, 3110B, 4111, 4114, 4126, 4116, 4117, 3110B, 4119, 4126, 4128, 4129, 4126, 4117	T80-278	X110	T83-743	Y70F14	T10-551(W) T10-582(L)	201R12 201R15	T80-257(O) T80-277(B) T80-284(B)	V313 V405 V405
528.242,-1,-2, 528.248,-1,-2, 528.632- A: 3110, A, 3115, A, 3160, A, 2110A	T80-279	X050	T83-26⊗ T83-694	Y70F14	T10-551(W) T10-561(L) T10-562(L)⊗	201R12 201R10 201R1A	T80-261(O) T80-257(B)	V313 V405
528.270,-1, 271,-1 THRU 5, 290-1,-2, -3, 291,-1 THRU 4, 292,-1,-2, 297, 299-1,-2,-3, 300,-1 THRU 4, 302,-1, 303,-1,-2; 31900, 31901, 32000, 32001, 3013A, 3100X, 3302X, 3104, 3110X, 3112X, 4107, A, 4108, A, 4110, 4111A, 4112, 4113A, B, 4114B, C, 4119A, 4124, 4125, 4126A, B, D, 4127C, 4128A, 4129A, B, 4132, 4133, 4135, 4139A, 4140E, 4142, A, 4143H, 4144, 4149E, H, 4150H, 4152H, 4153E, H, 4155E, H, 5111, 5113, 5118, 5119, 5132, 5133, 5139, 5140, 5150, 5155	T80-293	X110	T83-776	Y70F14	T10-551(W) T10-602(W) T10-582(L) T10-604(L)	201R12 201R1A 201R15	T80-290(O) T80-288(B)	V302 V405
528.630,-1, 528.631: 151-16,-17, 1184-20	T80-263 T80-265	X050 X050	T83-669 T83-694	Y70F14 Y70F14	T10-551(W) T10-561(L)	201R12 201R10	T80-261(O) T80-257(B)	V313 V405
528.631-1, 528.632(A), -1,-2,-3,-4,-5, 528.239	T80-263 T80-265 T80-279⊗	X050 X050 X050	T83-694 T83-743 C10-673	Y70F14 Y70F14 Y70F25	T10-551(W) T10-561(L) T10-582(L)	201R10 201R10 201R15	T80-261(O) T80-257(B)	V313 V405
528.31300, 31301, 31400, 31401, 31500, 31600, 31700, 31701, 31800, 31801, 32800, 32900, 33000, 33100, 33500, 33800, 33900, 34000, 34100, 34200, 34300, 34500, 34501, 34600, 34601, 34700, 34800: 5100, A, 5101, 5106, A, 5107, 5120, C, 5112, A, C, 5114, B, C, D, 5115, A, B, C, D, 5116, B, C, D, 5117, A, B, C, D, 5124, 5125, 5126, A, B, C, 5127, A, B, C, 5128, B, C, D, 5129, A, B, C, D, 5130, B, C, D, 5131, A, B, C, D, 5132A, 5133B, 5134, 5135, 5136: 4103A, 4109A, 4129A, 41122, 41282A, 41292, A, 41032A, 41312, A	T80-320	X080	T10-673 T10-682⊗ T10-692⊗	Y70F20/43 Y70F25 Y70F25 Y70F25			T80-316(O) T80-317(B)	V312 V405
549.100,-1,-4: 101, 108, 137, 160-12	55C133	X119	53A180⊗ 53C194 53B195	Y70F08 Y70F08 Y70F12	51B1230(W) 51B1072-1(W)⊗ 51B1071(L)	201R1A 201R1A 201R3A	55A128(O) 55B115(B)	V301 V405
549.100-2,-3,-5: 102	55C144	X119	53B195	Y70F12	51B1072-1(W) 51B1205(L)	201R1A 201R3A	55A128(O) 55B115(B)	V301 V405
549.100,-8,-9: 102A, 138, 168-16, 175-16 A	55C154	X120	53C195	Y70F12	51B1230(W) 51B1232(L)	201R1A 201R3A	55A128(O) 55B115(B)	V301 V405
549.100-6: 176-19	55C155	X120	53C202	Y70F12	51B1230(W) 51B1232(L)	201R1A 201R3A	55A128(O) 55B115(B)	V301 V405
549.101,-1,-2,-3,-4: 167-16, A, 185- 16, 186-19, 172-16	55C149 55C152B	X074S	53C197B 53C201D	Y70F14/43 Y70F14/43	51A1261C(W) 51A1243C(L)	201R3A 201R12	55B151B(O) 55C115(B)	V312 V405
549.102-2: 152-16, A, 169-16, 170-16	55C156	X064	53C203	Y70F30	51B1277(W) 51B1335(L)	201R5A 201R3A	55A166(O)	V405
549.103,-1: 1102, 1185-16	55C149 55C152	X074S	53C197 53C201	Y70F14/43 Y70F14/43	51A1261(W) 51B1330(W) 51B1331(L) 51A1243(L)	201R3A 201R10 201R12 201R12	55B151(O) 55C115(B)	V312 V405
647.021, 647.022, 647.023: R121-17, R122-20, A, 123-20A, 2101, A	THC10000A THC10002 THC10003E	X035D X035D X050D	YDB10000A	Y70F10/43	TOA10023, C(W) TOA10024(L)	201R1A 201R3A	TOB10045D, E(O) TOA10051A(B)	V309 V405

MANUFACTURER MODEL NUMBER AND CHASSIS	HORIZONTAL OUTPUT		DEFLECTION YOKE		WIDTH COIL (W) LINEARITY COIL (L)		VERTICAL OUTPUT (O) VERTICAL BL. OSC. (B)	
	MFRS. PART #	RAM #	MFRS. PART #	RAM #	MFRS. PART #	RAM #	MFRS. PART #	RAM #
SILVERTONE (Cont'd)								
528.258, .268	T80-289	X110	T83-776 10-682 10-692 10-676	Y70F14 Y70F25 Y70F25 Y70F25	T10-602(W) T10-604(L)	201R1A 201R15	T80-287(O) T80-288(B)	V313 V405
549.16000: 5114-2, 5116-2	558253	X123	53D325	Y90F19/43			558260(O) 558250(B)	V315 V405
549.16001: 5106-2	558251	X123	53D324	Y90F19/43			558249(O) 558250(B)	V306 V405
549.16002: 5114-2.2W, 5116-2	558266	X123	53D325	Y90F19/43			558260(O) 558250(B)	V315 V405

ⓐ 100.112: 161-16 ⓑ 101.867: 9121 ⓒ 110.821M-6, -25 ⓓ 110.817-1 ⓔ 110.820-1 ⓕ 110.817-1, -6, -11, -43, -46, -81, -86, 110.820-1, 110.821M-10 ⓖ 110.700 ⓗ 110.700-1, -10, -50 ⓘ 110.700-100, -104 ⓙ 110.700-150 ⓚ 132.890-3 ⓛ 132.890
 ⓜ 478.302, 303, A ⓝ 478.339, A, B, 478.361, A: 166-16, -17, 1150-14, 1166-17 ⓞ 528.242-1 ⓟ 528.242 ⓠ 528.632-4, -5, 528.632A-5
 ⓡ 549.100, -1 ⓢ Do Not Use Pin #1 ⓣ Use Two Filament Turns ⓤ Use Pins B-9 For AGC ⓖ Ch. 528.31400, 31401, 31500, 31600, 31701, 31800, 31801, 32800, 32900, 33000, 33100, 33800, 33900, 34,000, 34100, 34200, 34500, 34600, 34601 ⓗ Ch. 528.34700, 34,800
 ⓘ Ch. 528.33500, 34300

S.M.A. CTV216A, 219A: TV116A, B, 117A, B, 121B	TRA124	X066	CLX184	Y70F08	CLA193(W) CLA192(L)	201R1 201R3	TRA120(O) TRA119(B)	V301 V401
CTV215A, 221: TM102-108, 113, 114, 117, 118; WDX116	TRA124	X066	CLA179	Y70F08	CLA193(W) CLA192(L)	201R1A 201R3A	TRA120(O) TRA119(B)	V301 V401
SOMORA 700, A	N6923	X036	N6922	Y70F08	N692B(W) N6962(L)	201R1A 201R3A	N6920(O)	V304
302, 303, 320	N7716		N7718	Y70F14	N7719(W) N7720(L)	201R13A 201R12	N7717(O) N7764(B)	V308 V402
305, 325, 332	N8070	X045	N8057	Y70F08/43	N8134(W) N8063(L)	201R10 201R10	N7717(O) N7764(B)	V308 V402
323, 324, 350, 351, 352	N8104 N8070	X036 X045	N8057	Y70F08/43	N8134(W) N8063(L)	201R10 201R10	N7717(O) N7764(B)	V308 V402
413, 414, 415, 416, 421, 422, 423, 424, 425, 426, 428, 429	N8936	X112	N8930	Y70F25/3			N8937(O) N9002(B)	V306 V405
SPARTAN 19TS10, A, 19TW10, A: 5010, 5011, 5014, 5015, 5056, 5057, 5070, 5071, 5072	PC63087-1	X032	PC70004	Y70F08	AA6405-2(W)	201R3A	AB44062-4(O) AB47006-3(B)	V301 V401
23TB10: 4964, 4965, 5064, 5065	AB43547-1		PC70002 AB43525-3	Y70F25 Y70F25	AA6659-1(L)	201R12	AB44062-2(O) AB47006-1(B)	V301 V401
23TC10, 23TD10: 4935, 4942, 4954, 4960, 5002, 5003, 5006, 5007	PB40216	X036	PC70004	Y70F08	AA6400-2(W) AA6400-1(L)	201R13A 201R3A	AB44062-3(O) AB47006-2(B)	V301 V401
24TB10; 3TB10: 4944, 4945	AB43547-1		AB43525-1	Y70F25	AA6659-1(L)	201R12	AB44062-3(O) AB47006-2(B)	V301 V402
24TA10, 24TL10, 24TM10: 4916, 4917, 4918, 4920, 4921, 4922, 4951, 4952, 5068, 5069	AB43547-1		AB43525-1	Y70F25	AA6659-1(L)	201R12	AB44062-1(O) AB47003-1(B)	V301 V401
24TF10: 4970, 4971, 4972	AB43547-1		AB43525-1	Y70F25	AA6659-1(L)	201R12	AB44062-2(O) AB47006-1(B)	V301 V401
24TR10: 5052	AB43547-1		AB43525-1	Y70F25	AA6659-1(L)	201R12	AB44062-1(O) AB47003-1(B)	V301 V401
24TV9, C: 4900TV, 4940TV, 4941TV, 4951, 4952, 5068, 5069	AB43547-1		AB43525-1 PC70002	Y70F25 Y70F25	AA6659-1(L)	201R12	AB44062-1(O) AB47003-1(B)	V301 V401
25TK10A: 5006X, 5007X	PC70007	X066	PC70004	Y70F08	AA6405-3(W)	201R11	AB44062-4(O) AB47006-4(B)	V301 V403
21S172: 5212, 5250, 5252, 5253	PC70010	X048	AB43555-4	Y70F08	AA6400-4(W) AA6400-5(L)	201R1A 201R15	AB44062-5(O) AB47006-4(B)	V301 V403
21S173A, 21S214, 24U213, 24U174, 24U214: 11322, 11324, 15312, 15314, 20312, 20313, 21322, 21324, 30112, 30114, 31322, 32324, 33322, 34324, 35342, 35343, 36342, 36343, 50312, 50314, 58112, 58114	PC70015	X110	AB43070-2	Y70F10	AA6400-4(W) AA6400-5(L)	201R1A 201R15	AB44062-7(O) AB47006-4(B)	V301 V403

MANUFACTURER MODEL NUMBER AND CHASSIS	HORIZONTAL OUTPUT		DEFLECTION YOKE		WIDTH COIL (W) LINEARITY COIL (L)		VERTICAL OUTPUT (O) VERTICAL BL. OSC. (B)	
	MFRS. PART #	RAM #	MFRS. PART #	RAM #	MFRS. PART #	RAM #	MFRS. PART #	RAM #
SPARTON (Cont'd)								
230214: 14A204, 12A204, 12A20, 11T20	PC-70025	X110	PC-70031 AB-43070-3	Y70F25 Y70F25	AA6400-7(W) AA6400-6(L)	201R5A0 201R5A0	AB44071-1(O) AB47018-1(B)	V310 V405
21S173, 21S212, 21S213, A, 25D173, A, 25S172: 5225A, 5226A, 5240, 5241, 5270A, 5280, 5281, 5301, 5325, 5326, 5340, 5341, 5362, 5363, 5380, 5381, 11322, 11324, 15312, 15314	PC70015	X110	PC70016 AB43583-4	Y70F10 Y70F10	AA6400-4(W) AA6400-5(L)	201R1A 201R15	AB44062-5(O) AB44062-7(O) AB47006-4(B)	V301 V301 V403
25CD202, 25D213, 25SD202: 5288, 5289, 529C, 5291, 5293, 5294, 5296, A, 5297, A, 5298, 5299, 5342, 5343, 5382, 5383, 5384, 5386, 5390, 5391	PC70012 AA6403-2	X049 X049	AB43583-1 PC70017 AB43555-6	Y70F08 Y70F08 Y70F08	AA6400-3(W) AA6400-3(L)	201R13A 201R13A	AB44062-7(O) AB47006-4(B)	V301 V403
25RD190: 5085, 5086	PC70010	X049	PC70011	Y70F08	AA6400-4(W)	201R1A	AB44062-5(O) AB47006-4(B)	V301 V403
26SD160, 26SD170, P, X, XP, 26SD171, 26SD172C, 26SS160, BL, 26SS170, D, DD, DP, P: 5025, BA, 5026, 5029, 5030, 5035, 5036, 5037, 5075BA, 5076, BA, BB, 5077, BA, BB, 5079, B, 5080, BB, C, 5082, 5083, 5088, 5089, 5090, 5101, 5102, 5103, 5104, 5105, 5107, 5108, 5110, 5125, 5152, 5153, 5154, 5155, 5156, 5157, 5158, 5182, 5183, 5188, 5199	PC70010	X049	PC70009	Y70F10	AA6400-4(W)	201R1A	AB44062-5(O) AB47006-4(B)	V301 V403
26SD171, 26SS171, A: 5107X, 5162X, 5163X, 5165X, 5166X, 5175X, 5178X	PC70010-6	X049	PC70009C	Y70F10			AB44062-5(O) AB47006-4(B)	V301 V403
26SD172, A, B, C, 26SS172: 5207, 5208, 5210, 5220, 5225, 5226, 5265, 5267, 5268, 5270, 5271, 5272, 5273	PC70010	X049	PC70009 AB43583	Y70F10 Y70F08			AB44062-7(O) AB47006-4(B)	V301 V403
26SD201: 5170, 5171, 5191, 5192	PC70012	X049	PC70015	Y70F08			AB44062-5(O) AB47006-4(B)	V301 V403
27D213, 27D214, 29U213, 29U214: 22312, 22313, 22322, 23323, 39312, 39313, 40312, 40313, 41322, 41323, 42322, 42323, 43342, 44342, 47352, 47353, 48352, 48353, 5342A, 5343A, 5382A, 5383A, 5384A, 5386A, 10352, 10353	PC70012	X049	AB43071-1	Y70F08	AA6400-3(W) AA6400-3(L)	201R13A 201R13A	AB44062-7(O) AB47006-4(B)	V301 V403
27D244, 27D273, 29U244, 29U273: 24542, 25544, 26542, 26544, 52412, 52413, 53442, 54444, 55442, 56412, 56413, 57444	PC70019	X110	AC6088-1	Y90F12/47	AA6400-3(W) AA6400-3(L)	201R13A 201R13A	AB44070-1(O) AB47006-4(B)	V302 V403

Ⓢ Use Orig. Slider-Core

STARRETT	MFRS. PART #	RAM #	MFRS. PART #	RAM #	MFRS. PART #	RAM #	MFRS. PART #	RAM #
	3V1-31-9: Ambassador	ST-F-1	X077	ST-Y-1	Y70F08	ST-W-1(W) ST-L-1(L)	201R1A 201R3A	ST-V-1(O) ST-B-1(B)
Nathan Hale	ST-F-2	X036	ST-Y-2	Y70F08	ST-W-2(W) ST-L-2(L)	201R1A 201R3A	ST-V-2(O) ST-B-2(B)	V304 V401
3R2-37-9, 3R3-37-9: Lowell, John Hancock, Jackson, Cleveland, King Arthur	ST-F-3	X077	ST-Y-3	Y70F08	ST-W-3(W) ST-L-3(L)	201R1A 201R3A	ST-V-3(O) ST-B-3(B)	V301 V401
3R3-36-9: Adams	ST-F-4	X036	ST-Y-4	Y70F08	ST-W-4(W) ST-L-4(L)	201R1A 201R3A	ST-V-4(O) ST-B-4(B)	V301 V401
3V3-429: Lincoln, Gotham, Washington, Cosmopolitan	211T5	X077	CL1020-2	Y70F08	ST-W-5(W) ST-L-5(L)	201R1A 201R3A	ST-V-5(O) ST-B-5(B)	V301 V401
501-22-9: Henry Hudson, Henry Parks, R. E. Lee	TR1016	X036	CL1020-2	Y70F08	ST-W-6(W) ST-L-6(L)	201R1A 201R3A	ST-V-6(O) ST-B-6(B)	V305 V401
6S1-199: Sam Houston	TR1008	X036	CL1020-1	Y70F08	ST-W-7(W) ST-L-7(L)	201R1A 201R3A	ST-V-7(O) ST-B-7(B)	V305 V401
12S1, 14S1, 15S1: 17B41, 27B41, 37B41, 37B41, 29A41, 39A41; 20B41, 30B41	TR1017	X032	CL1020-3	Y70F08	CL1029(W) CL1011(L)	201R10 201R3A	TR1007(O) TR1009(B)	V309 V405
17S1	TR1021-3	X045	CL2020-7	Y70F17	CL1029-1(W) CL1011(L)	201R10 201R3A	TR1007(O) TR1009(B)	V309 V405
STEWART WARNER	MFRS. PART #	RAM #	MFRS. PART #	RAM #	MFRS. PART #	RAM #	MFRS. PART #	RAM #
9054A, B, 9100A, B, C, D, E, F, G, H: AVC1-2, AVT1			506805	Y70F08			507312(O) 505580(O)Ⓢ 507712(B)	V305 V304 V401
9103-B, C, E, 9104-A, B, C	508058	X036	507791	Y70F08	508218(W) 162056(L)	201R11 201R5A	508059(O) 508076(B)	V309 V405
9105A	508420		508921		508218(W) 162056(L)	201R11 201R5A	508059(O) 508076(B)	V309 V405
9106A, B, 9108A, B, C, 9109A, B, 9113A	508883	X045	508675	Y70F10/43	508667(W) 162190(L)	201R14 201R12	508674(O) 508076(B)	V308 V405

MANUFACTURER MODEL NUMBER AND CHASSIS	HORIZONTAL OUTPUT		DEFLECTION YOKE		WIDTH COIL (W) LINEARITY COIL (L)		VERTICAL OUTPUT (O) VERTICAL BL. OSC. (B)	
	MFRS. PART #	RAM #	MFRS. PART #	RAM #	MFRS. PART #	RAM #	MFRS. PART #	RAM #
STEWART WARNER (Cont'd) 9120A, B, C, D, E, F; 9121A, B; 9125A	508971	X045	508675	Y70F10/43	508667(W) 162190(L)	201R14 201R12	508956(O) 508076(B)	V308 V405
	508679	X045						
9124A	508679	X045	115154	Y70F10	508667(W) 162190(L)	201R14 201R12	508956(O) 508076(B)	V308 V405
9122A	508679	X045	509315	Y70F08	508667(W) 162190(L)	201R14 201R12	508956(O) 508076(B)	V308 V405
9126A, B, C	508679	X045	509704	Y70F10/43	508667(W) 162190(L)	201R14 201R12	508956(O) 508076(B)	V308 V405
9127A, 9132A	508679	X045	115185	Y70F10	508667(W) 162190(L)	201R14 201R12	508956(O) 508076(B)	V308 V405
9200A, C, D, FA, G	509384	X096	508675	Y70F10/43	509361(W)	201R13A	509375(O) 508076(B)	V313 V405
9202A, B, C, DA, DB, DD, DDA, E, F, FA	509384	X096	509704	Y70F10/43	509361(W)	201R13A	509375(O) 508076(B)	V313 V405
9203A, 9204A	509384	X096	115185	Y70F10	509361(W)	201R13A	509375(O) 508076(B)	V313 V405
9209A, B, C, D; 9210C, 21T-9210A, 21C9210C, 21C9211D, E, F, & 21T9211B, 9211C	520489	X096	509704 115228	Y70F10/43 Y70F10/43	509361(W)	201R13A	509375(O) 508076(B)	V313 V405
9212A: 27C	521343		115311	Y90F12/47	520911(L)		509375(O) 508076(B)	V313 V405
9300A, AA, B, D, E, F, G, H, HA, KB, L, LB, M, MB, P, RB, S, T, 9340B, D, E, K, KB, L, LB, M, MB, P, RB, S, T: 21C, 21T	521066	X076	520942	Y70F14/43			520975(O) 520980(B)	V313 V405

Ⓞ Ch. 9031A, AM, B, 9037A: 7711, M, 712, TRC721

STROMBERG-CARLSON	MFRS. PART #	RAM #	MFRS. PART #	RAM #	MFRS. PART #	RAM #	MFRS. PART #	RAM #
	TC10	161016	X036	114659	Y70F08	114074(W) 114071(L)	201R4 201R14	161242(O) 114658(B)
TC19: M5M, LX	161024	X036	114672	Y70F08	114074(W) 114667(L)	201R4 201R5A	161247(O) 114658(B)	V310 V402
TC125: H, L, LM-2, LSM	161016	X036	114659	Y70F08	114074(W) 114071(L)	201R4 201R14	161242(O) 114658(B)	V304 V402
TC125-Series 0-: LA-4, LS-2, LM-3	161028	X050	114659	Y70F08	114074(W) 114071(L)	201R4 201R14	161242(O) 114658(B)	V304 V402
TS15, 16: 1LA, LIM, MIA, MIM	161023	X077 Ⓞ	114644	Y70F08	114666(W) 114667(L)	201R12 201R5A	161011(O) 161010(B)	V301 V401
TS16PM	161021	X077	114644	Y70F08	114666(W) 114667(L)	201R12 201R5A	161011(O) 161010(B)	V301 V401
TS125: H, L, DLI, ELI, DHM, EHIM, DM5M, EH5M, SHIM, SLI, SM5M	161018	X077	114644	Y70F08	114666(W) 114667(L)	201R12 201R5A	161011(O) 161010(B)	V301 V401
TV12-Series 10, 11-: PGM, M5M	161237	X036	114628 114688	Y70F08 Y70F08	114626(W) 114625(L)	201R1A 201R3A	161236(O) 161232(B)	V301 V401
16, 17 Series: RPM, TM, TA, CM, CA	161029 161040	X048	114685	Y70F14/43	114083(W) 114084(L)	201R11 201R12	161252(O) 114658(B)	V313 V402
24 Series: C, RP, CM, RP, RPM, 317 RPM, TM	161034	X077	114699 114698	Y70F08 Y70F08	114100(W) 114109(L)	201R13 201R12	161247(O) 161254(B)	V310 V401
116 Series: C, T, RP	161029		114685 114689	Y70F14/43 Y70F14/43	114083(W) 114084(L)	201R11 201R12	161252(O) 114658(B)	V313 V402
119 Series: C, RP, M5M	161029		114692	Y70F14/43	114402(W) 114084(L)	201R5A 201R12	161255(O) 161254(B)	V308 V401
317 Series: TM, RPM	161035	X069	114706	Y70F14/43	114106(L) 114083(W)	201R12 201R11	161255(O) 161254(B)	V308 V401
321 Series: C2M, CD2M, CD20	161042	X069	114706	Y70F14/43	114083(W) 114084(L)	201R11 201R12	161255(O) 161254(B)	V308 V401
324 Series: CDM, C5M	161042	X069	114730	Y70F14/43	114083(W) 114084(L)	201R11 201R12	161255(O) 161254(B)	V308 V401
417 Series: TX, C5-M, C5-0, C5-DEC, TX	161043	X069	114706	Y70F14/43	114083(W) 114084(L)	201R11 201R12	161255(O) 114658(B)	V308 V402
421 Series: TX, CM, CDM	161042	X069	114706	Y70F14/43	114083(W) 114084(L)	201R11 201R12	161255(O) 161254(B)	V308 V401
521 Series: TM, TO, CM, CO, CDM, C5D	161042	X069	114741	Y70F14/43	114083(W) 114084(L)	201R11 201R12	161255(O) 161254(B)	V308 V401
621 Series: TM, TO, CM, CO, CDM, CDM, C5E	161042	X069	114741	Y70F14/43	114083(W) 114084(L)	201R11 201R12	161255(O) 161254(B)	V308 V401

MANUFACTURER MODEL NUMBER AND CHASSIS	HORIZONTAL OUTPUT		DEFLECTION YOKE		WIDTH COIL W LINEARITY COIL L		VERTICAL OUTPUT O VERTICAL BL. OSC B	
	MFRS. PART #	RAM #	MFRS. PART #	RAM #	MFRS. PART #	RAM #	MFRS. PART #	RAM #
STROMBERG-CARLSON (Cont'd) 621A Series: TM, TO, CM, CO, CDM, CDO, C5E	161046	X069	114741	Y70F14/43	114083(W) 114084(L)	201R11 201R12	161252(O) 161254(B)	V305 V401
622 Series: TM, TO, CO, CDM, CDO, C5E	161046	X069	114741	Y70F14/43	114083(W) 114084(L)	201R11 201R12	161252(O) 161254(B)	V305 V401
624 Series: CM, CDM, CDO	161045	X094	114746		114129(W) 114125(L)	201R17 201R15	161266(O) 161254(B)	V302 V401
625 Series: CM, CDM, CDO, RP	161045	X094	114746		114129(W) 114125(L)	201R17 201R15	161266(O) 161254(B)	V302 V401
21T-22T Series	161048	SX-02	114755	Y70F14/43	114133(W) 114084(L)	201R13A 201R12	161269(O) 161271(B)	V313 V405

Ⓢ Use 201R11 Sec. for AGC

SYLVANIA	MFRS. PART #	RAM #	MFRS. PART #	RAM #	MFRS. PART #	RAM #	MFRS. PART #	RAM #
	1-108, -139, -168, -186, -227, -231: 1-075, 076, 090, 113, 114, 124, 125, 125-1, 128, 177, 197-1, -2, 210, 245-1, -2, 246-1, 247-1	241-0002		100-0001, 2	Y70F30Ⓢ			241-0001(O) 242-0001(B)
1-260, 261, 271, 274, 290, 356, 366, 366- 66: 4120M, 4130B, E, M, W; 5130B, M, W; 5140B, M; 5150M; 6110X, 6120B, M, W; 6130B, M, W; 6140M, W; 7110X, 7110XF, 7111MA; 7120BF, MF, WF, B, M, W; 7130BF, MF, WF, B, M, W; 72M, 73M; 7140M, W	241-0003	X083	100-0003	Y70F14/43	132-0001(W) 133-0001(L)	201R3A 201R12	241-0004(O) 242-0001(B)	V309 V405
1-329: 1110X	241-0003	X083	100-0006	Y70F20/43	132-0001(W) 133-0001(L)	201R3A 201R12	241-0004(O) 242-0001(B)	V309 V405
1-381: 1210X	241-0003	X083	100-0004		132-0001(W) 133-0001(L)	201R3A 201R12	241-0004(O) 242-0001(B)	V309 V405
1-437, 442: 7110XFA, 7120MFA, 7130MFA, 7140MA, WA	241-0005	X084	100-0005	Y70F14/43	132-0001(W) 133-0001(L)	201R3A 201R12	241-0004(O) 242-0001(B)	V309 V405
1-441(C02), 462, 356(C05), 357, 366(C08), 387, 387(C07): 22M, 2221M, 71M, 72M, 73B, 73M, 74M, 7110XB, 7111M, 7150M, 7160B	241-0005 241-0003 Ⓢ	X084 X083	100-0005	Y70F14/43	132-0001(W) 133-0001(L)	201R3A 201R12	241-0004(O) 242-0001(B)	V309 V405
1-387-1, 437-1, -2, -3(C01), 462-1, 502-1, -2, -3, 507-1(C03, 4), 507-2: 22B11, M1, M11, M11A, M11B; 23B, B11, M, M11; 24M1, 25M; 71M1; 72B2, M1, M2; 73B5; 73M1, 2, 3, 5, 6, 11; 74B1, M1, B2, M2; 75B, M	241-0006	X084	100-0007	Y70F14/43	132-0001(W) 133-0001(L)	201R3A 201R12	241-0004(O) 242-0001(B)	V309 V405
1-504-1, -2, -4, 1-508-1, -2, -3, 1-510-1, -2, -4: 105, 200, 205, 250, 172, 175, 176, 177, 178, 120, 126, 220, 225, 226, 275	241-0007	X085	100-0009	Y70F20/43	132-0002(W) 133-0002(L)Ⓢ	201R15 201R12	241-0008(O) 242-0002(B)	V313 V405
1-509-1: 1878, M	241-0010		100-0010		133-0003(L)	201R12	241-0009(O) 242-0002(B)	V307 V405
1-512-1, -2: 386B, BU, M, MU	241-0010		100-0011		133-0003(L)	201R12	241-0009(O) 242-0002(B)	V307 V405
1-514-1, -3, -4, -5, -6, 1-518-1, -2, -3, 1-520-1, -3, -4, -7, -8: 105-14, 300 Series: 120-20, 320, 325, 326 Series; 175-18, 372, 373, 375, 376, 377 Series	241-0011	X131	100-0009	Y70F20/43	132-0002(W)	201R15	241-0008(O) 242-0002(B)	V313 V405
1-513-1, -2, -3, -4, 1-519-1, -2, -3, -4: 331, 336, 387, 388 Series	241-0012		100-0011	Y90F12/47	133-0003(L)	201R12	241-0009(O) 242-0002(B)	V307 V405
1-515-1, 1-515-2, 1-522, -1: 392B, M, BU, MU; 396, BU, MU, 596	241-0013	X132	100-0013	Y90F12/47	132-0003(W)	201R13A	241-0009(O) 241-0008(O) 242-0002(B)	V307 V302 V405
1-521-1, -2, -3, -4, -5, -6: 510, 520, 521, 526, 573, 575, 576, 577	241-0017 241-0026		100-0015	Y70F20/43			241-0016(O)	V314
1-527-1, -2: 511	241-0025	X080	100-0019	Y70F25/3			241-0024(O) 242-0003(B)	V306
1-530-1, -2: 400, 514, 525, 529	241-0019	X110	100-0009		132-0005(W)	201R15	241-0008(O) 242-0002(B)	V309 V405

Ⓢ Ch. 1-508-1, -2, -3 (Mod. 172, 175, 176, 177, 178) Ⓢ Use Y70F30 Red, Blue Leads for Blue, Red Leads, Respectively, For Original
Ⓢ Mod. 7150M

MANUFACTURER MODEL NUMBER AND CHASSIS	HORIZONTAL OUTPUT		DEFLECTION YOKE		WIDTH COIL (W) LINEARITY COIL (L)		VERTICAL OUTPUT (O) VERTICAL BL. OSC. (B)	
	MFRS. PART #	RAM #	MFRS. PART #	RAM #	MFRS. PART #	RAM #	MFRS. PART #	RAM #
TECHMASTER 930, 1230	11T1	X036	1D1	Y70F08	1R1(W) 1R3(L)	201R1A 201R3A	4T2(O) 8T2(B)	V301 V402
1530, 1630, 1631, 2031	11T5	X077	1D1	Y70F08	1R4(W) 1R5(L)	201R1A 201R3A	4T2(O) 8T2(B)	V301 V402
AGC Kit: BC1223	TE-F-1	X036	TE-Y-1	Y70F08	TE-W-1(W) TE-L-1(L)	201R11 201R3A	TE-0-1(O) TE-0-1(B)	V301 V402
16CK, 630TK	11T5	X077	1D1	Y70F08	L1R4-J(W) TE-L-5(L)	201R4 201R3A 201R3A	TE-0-2(O) TE-0-2(B)	V301 V402
Kit A & B: 1930, D, 630D19, S19	T77J1	X045	1D1	Y70F08	L201(W) TE-L-2(L)	201R10 201R10	4T2(O) 8T2(B)	V301 V402
1531, 1631	11T5	X077	1D1	Y70F08	L1R4J(W) TE-L-3(L)	201R4 201R5A	TE-0-3(B) 8T2(B)	V309 V402
5016, 5116, 5219	T77J1 ^Q TJ1D	X045 X051	70CF14C	Y70F14/43	L1R4J(W) TE-L-4(L)	201R4 201R5A	TVO-2(O)	V305
1930R-S, 1930S-9, 2430, S, 2431P, C, C30S-F	T25T1	X074	70CF18	Y70F18/43	L310(W) L9R1(L)	201R15 201R12	TVO-4(O) T8T2(B)	V310 V405
C30B, 630D24, S24, D29, 1930R-C, R-S	T25T1	X074	LD211	Y70F14/43	L310(W) L9R1(L)	201R15 201R12	TVO-4(O) T8T2(B)	V310 V405
2430-9	T35T1	X094	LD219		L310-A(W) L310(L)	201R12 201R15	TVO-5(O) T8T2(B)	V405
2439-S	T39T1	X094	LD220D1	Y90F12/47	L212R1(W) L310(L)	201R15 201R12	TVO-5(O)	V302 ^Q

^Q Early Models

TELEKING 210, 310	MFRS. PART #	RAM #	MFRS. PART #	RAM #	MFRS. PART #	RAM #	MFRS. PART #	RAM #
		211T1	X036	DY-1	Y70F08	L201R1(W) L201R3(L)	201R1A 201R3A	204T2(O)
410, 510, 512, 612, 710, 712, 812	T211T3	X036	DY-2	Y70F08	L201R1(W) L201R3(L)	201R1A 201R3A	T-107(O) T-104(B)	V303 V403
162, 416, 716, 816-3CR, 16C03CR, 916C, CAF, C716X	T109	X077	DY-4, 5	Y70F08		201R1A 201R3A	T-107(O) T-104(B)	V303 V403
114, 116, 116C, 117, C, L0, CA, CAF	T111	X045	DY-6	Y70F14/43	LM77J4-3(W) LM77J4(L)	201R14 201R10	T112(O) T-104(B)	V305 ^Q V403
TVG: 172, 174, 202L0; 172, 174, 202M; 203, 205; 916, CAF, 919, CAF; 1014, 1016	T118	X045	DY-10	Y70F14/43	LM77J4-3(W) LM77J4(L)	201R14 201R10	T-116(O)	V302
TVJ: K11, B, L, K21, B, K22, K23L, LW, K72, B, K73LW, K74, K73L, KC11, B, KC13, KC21, B, KC22B, KC23, KC26, KC71, KC72B, KC73, KD11, X, XB, B, KD12M, KD13, KD14, KD15, KD12C, KD27, B, KD71X, XB, 204CAF	T124A T139	X045 X094	DY-12M	Y70F14/43	LM77J4-3(W) LM77J4(L)	201R14 201R10	T-116(B)	V302

TELEPHONE TV209, 210, 249, 259	MFRS. PART #	RAM #	MFRS. PART #	RAM #	MFRS. PART #	RAM #	MFRS. PART #	RAM #
		TTR-154	X036	TTR-159D	Y70F08	TLF505(W) TLF506(L)	201R1A 201R3A	TTR-153(O) TTR-152(B)
TK: TV250, 254, TR	TTR-176D	X036	TTR-159D	Y70F08	TLF505(W) TLF506(L)	201R1A 201R3A	TTR-153-3D(O) TTR-161D(B)	V305 V405
TS: TV255, 256	TTR-181D	X036	TTR-159D	Y70F08	TLF505D(W) TLF506(L)	201R1A 201R3A	TTR-153-4D(O) TTR-161-1D(B)	V305 V405
TV282	TTR-154	X036	TTR-159D	Y70F08	TLF505(W) TLF506(L)	201R1A 201R3A	TTR-153(O) TTR-152(B)	V301 V401
TV283, 285	TTR-172D	X077	TTR-159D	Y70F08	TLF505(W) TLF506(L) TLF530(L)	201R1A 201R3A 201R5A	TTR-153-2D(O) TTR-161D(B)	V304 V405
TH, TJ, TT: TV284, 286, 287, 288	TTR-172D TTR-183D	X077 X036	TTR-159D	Y70F08	TLF529(W) TLF530(L)	201R4 201R5A	TTR-153-2D(O) TTR-152-1(B)	V304 V405
TH, TX: TV300, 301, 304, 305	TTR-181D	X036	TTR-159D	Y70F08	TLF505D(W) TLF506(L)	201R1A 201R3A	TTR-153-4D(O) TTR-161-2D(B)	V305 V405
TY, TZ: TV306, 307	TTR-190D TTR-200D	X036 X045	TTR-191D TTR-201D	Y70F08 Y70F08	TLF505D(W) TLF506(L)	201R1A 201R3A	TTR-185D(O) TTR-161-2D(B)	V305 V405
TAC: TV308	TTR-209D TTR-210D	X045 X045	TTR-201D	Y70F08	TLF553D(W) TLF506(L)	201R10 201R3A	TTR-185D(O) TTR-161-2D(B)	V305 V405
TAJ: TV314	TTR-208D	X068	TTR-217D	Y70F30	TLF506DA(L)	201R10	TTR-153-4D(O) TTR-161-2D(B)	V305 V405
TAA, TAB: TV315	TTR-209D	X045	TTR-159D	Y70F08	TLF553D(W) TLF506DA(L)	201R10 201R10	TTR-185D(O) TTR-161-2D(B)	V305 V405

MANUFACTURER MODEL NUMBER AND CHASSIS	HORIZONTAL OUTPUT		DEFLECTION YOKE		WIDTH COIL (W) LINEARITY COIL (L)		VERTICAL OUTPUT (O) VERTICAL BL. OSC (B)	
	MFRS. PART #	RAM #	MFRS. PART #	RAM #	MFRS. PART #	RAM #	MFRS. PART #	RAM #
TELEPHONE (Cont'd) TAH: TV316	TTR-209D	X045	TTR-223D	Y70F08	TLF553D(W) TLF506DA(L)	201R10 201R10	TTR-189D(O) TTR-161-3(B)	V309 V405
TAG: TV317	TTR-209D	X045	TTR-213D	Y70F08	TLF533D(W) TLF506DA(L)	201R10 201R10	TTR-185D(O) TTR-161-2D(B)	V305 V405
TAM: TV318, 322, 323	TTR-204D	X045	TTR-205D	Y70F14			TTR-185D(O)	V305
TAO: TV330, 331, 332, 333	TTR-209D	X045	TTR-223D	Y70F08	TLF553D(W) TLF506DA(L)	201R10 201R10	TTR-185D(O) TTR-161-2D(B)	V305 V405
TAP, -1, -2: TV324, 325, 326, 328, 329, 335, 336, 340, 345, 355, 357, 360, 365, 374, 800, 1,800, 2,800, 3	TTR-209D	X045	TTR-224D	Y70F30	TLF553D(W)	201R10	TTR-185-10(O) TTR-203D(B)	V305 V305
	TTR-253D1	X045	TTR-242D	Y70F08	TLF618D(W) TLF619D(L)	201R10 201R10	TTR-254D(O) TTR-161-2D(B)	V405
TRAD C2020, C2420, CD2020		X066		Y70F10		201R1A 201R3A		V301 V401
TT-63-SH		X077		Y70F08		201R5A		V301 V401
T-20, A, B, C, E, T1720		X066		Y70F08	121-0003(W) 121-0001(L)	201R1A 201R3A		V301 V401
T-1853, A, T-20E Series	125-0013	X066	121-0011	Y70F14	121-0012(W) 121-0001(L)	201R5A 201R3A	125-0008(O)	V308
TRANSVISION A1, A2, A3	308	X036	310	Y70F08	377(L)	201R3A	305(O) 306(B)	V301 V401
A4, A6, C1	1279 2858	X066 X032	1263	Y70F08	377(L)	201R3A	1275(O) 306(B)	V301 V403 V401
WRS-3	308	X036	310	Y70F08	377(L)	201R3A	305(O) 306(B)	V301 V311 V401 V403
630A, D1	2891	X050	1263	Y70F08	1274(W) 377(L)	201R1A 201R3A 201R3A	2447(O) 2546(B)	V301 V401
TRANS-VUE 400	12M-17967 12M-18285	X107 X1C	13M-13590	Y70F08	13M-18233(W)	201R1A	12C-17303(O) 12M-18241(B)	V305 V405
160L	201-17196		13M-13590	Y70F08	13M-17199(W)	201R5A	12C-16999(O)	V302
16AX23, 25, 26: 601, 610	201-18418		13M-18693D 13M-13590	Y70F08/43 Y70F08	13M-18233(W)	201R1A	12C-17303(O) 12M-18241-1(B)	V305 V405
16AY210: 660	12M-19407, -1, -2 12M-19408 12M-19190 201-19533 201-19817	X109 X109 X109 X109 X109	201-19490 13M-18888	Y70F08 Y70F08	13M-18233(W) 13M-19320(L) 13M-19499(L)	201R1A 201R5A 201R5A	12C-19048(O) 12M-18241(B)	V313 V405
17XC, 17XT, 20XC, 20XT, 1400T, 1700C, T, 2000C	12F-345 12C-598D 12F-450D	X036 X036 X036	13M-347D D	Y70F08 Y70F10/43	13M-348(W)D D	201R1A 201R3A	12C-351(O)	V309

Ⓐ Ch. 16AX26 Ⓜ Sets Using 14-Inch CRT Ⓞ Sets Using 16-Inch CRT Ⓟ Sets Using 10, 12-Inch CRT Ⓠ Sets Using 14, 16, 17-Inch CRT

TRAV-LER 10T, 12T, 16T50	MFRS. PART #	RAM #	MFRS. PART #	RAM #	MFRS. PART #	RAM #	MFRS. PART #	RAM #
		TVTR4 TVTR26	X036 X036	TVL25	Y70F08	TVL19(W)	201R1A	TVTR2(O) TVTR3(B)
12L50, A, 14R50, A, 14C50, A, 16G50, A, 16R50, A, 16R70, 16T50A, 16R70	TVX104D TVX106D TVX105D	X078 X078 X078	TVL27	Y70F08	TVL30(W) TVL33(W) TVL29(L)	201R13A 201R13A 201R5A	TVTR8(O) TVTR3(B)	V305 V401
19A50, 20A50, 64R50, -1, -2, 65G50, -1, -2, 75A50, -1, -2	TVX107D TVX108D	X079 X079	TVL27, A TVL35D	Y70F08 Y70F10/43	TVL33(W) TVL34(W) TVL29(L)	201R13A 201R13A 201R5A	TVTR8(O) TVTR3(B)	V305 V401
32A1: 62R50, 63R50, 114-1A, -2, 117-3, -4, -6, 119-5, 16R60	TVX109D TVX110D	X079 X079	TVL35D	Y70F10/43	TVL30(W) TVL34(W) TVL29(L)	201R13A 201R13A 201R5A	TVTR8(O) TVTR3(B)	V305 V401

MANUFACTURER MODEL NUMBER AND CHASSIS	HORIZONTAL OUTPUT		DEFLECTION YOKI		WIDTH COIL W LINEARITY COIL L		VERTICAL OUTPUT O VERTICAL BL OSC B	
	MFRS. PART #	RAM #	MFRS. PART #	RAM #	MFRS. PART #	RAM #	MFRS. PART #	RAM #
TRAV-LER (Cont'd) 11A2: 219-8A, -8B	TVX1130	X079	TVL390	Y70F10/43	TVL41(W) TVL29(L)	201R15 201R5A	TVTR8(O) TVTR3(B)	V305 ■ V401
3281: 119-5	TVX1090	X079	TVL370	Y70F10/43	TVL34(W) TVL29(L)	201R13A 201R5A	TVTR8(O) TVTR3(B)	V305 ■ V401
33A2, 34A2, 34A4, 35B2: 220-9, 9B, -22, -23 -26, 217-10, -11, -12, -13, -14, -15, -16, -25, 221-27	TVX1090 TVX1110	X079 X079	TVL400	Y70F10/43	TVL34(W) TVL29(L)	201R13A 201R5A	TVTR8(O) TVTR3(B)	V305 ■ V402
36A2, 36A3, 36B2: 217-32, -33, -37; 217-331, -371; 220-34, -35; 221-24, -36; 217-33, -37, -60, -62; 321-36, -63	TVX1040 TVX1090 TVX1120 TVX1140	X078 X079 X079 X079	TVL370 TVL400	Y70F10/43 Y70F10/43	TVL34(W) TVL29(L)	201R13A 201R5A	TVTR8(O) TVTR10(B)	V305 ■ V405
46A3, 46A4, 46B3, 47A3, 46A3, 48A4, 47A5, 48A4: 317-44, -77, -44A, -47; 321-46, -44B, -R45, -48, -54, -55, -480; 3210-60, -61	TVX1300	X130	TVL520	Y70F10/43	TVL34(W) TVL29(L)	201R13A 201R5A	TVTR8(O) TVTR10(B)	V305 ■ V405
46C3, 46C4, 48C4: 324-29, -49, -490	TVX131	X130	TVL51	Y90F12/47	TVL34(W) TVL29(L)	201R13A 201R5A	TVTR8A(O) TVTR10(B)	V302 ♣ V405
46D4, 49A4	TVX-130, A	X130	TVL-52	Y70F10/43	TVL-34(W) TVL-29(L)	201R13A 201R5A	TVTR-8(O) TVTR-10(B)	V305 ■ V405
510A4, 511A4	TVX-141A	X130	TVL-55	Y70F10/43	TVL-56(W)	201R13A	TVTR-8(O) TVTR-10(B)	V305 ■ V405
412E4, 412E5, 412E5: 517-82, 521-79, -80, -81, -90, -91, 5210-60, -61	X-130A	X130	L-52	Y70F10/43	TVL34(W) TVL29(L)	201R13A 201R5A	TVTR8(O) TVTR10(B)	V305 ■ V405
412F4, 412F5, 417F4, 4175: 524-84, U, -85, U, -86, U	X-152	X130	L-57		TVL41(W)	201R13A	TVTR8(O) TVTR10(B)	V305 ■ V405
417E4, 417E5, 417E5: 517-82U, 521-79U, -80U, -81U, -R90U, -91U, 5210-60U, -61U	X-130A	X130	L-52	Y70F10/43	TVL34(W) TVL29(L)	201R13A 201R5A	TVTR8(O) TVTR10(B)	V305 ■ V405
510A4, 511A4, 513A4, 513A5, 514A4, 514A5: 517-56, -67, 521-75, -76, -77, -78	X-141A	X130	L-52	Y70F10/43	TVL56(W)	201R13A	TVTR8(O) TVTR10(B)	V305 ■ V405

⊙ Mod. 16R50A, 16T50A ⊕ 16G50A ⊕ Mod. 64R50, 75A50, -1, -2 ⊕ Mod. 64R50 ⊕ Ch. 36B2; Mod. 217-331, -371 ⊕ Ch. 36A2;
Mod. 217-32, -33, -37; 220-34, -35; 221-24, -36 ⊕ Ch. 46A3 ⊕ TVL39 Interchangeable with TVL40 ⊕ Interchangeable with
TVX110 ⊕ TVX104, 105, 106 Are Interchangeable; TVX104, 106 Use 3.3Ω Fil. Resistor; TVX105 Use Add. 500MMF, 15kV Filter
Cap ⊕ TVX107, 108, 109, 110, 111, 112 Are Interchangeable; TVX111, 112 Use Additional 500MMF ⊕ Replaces TVX109; C90
(2200MMF) Changed to 4700MMF; C79 (680MMF) Changed to 470MMF; R99 (18k, 1/2W) Added ⊕ TVL35 Interchangeable with TVL37
⊙ (X079 Lead Colors CLEAR RED WHITE YELLOW BLACK GREEN GRAY BLUE) ⊕ Increase h-v to about 14 kV by connecting
(TVX130 Corresponding Nos. H v 9 8 4 3 5 6 7) grounded bias of C94 to blue lead. If necessary decrease bias and increase screen vol. at 6C6E.

TRUETONE	MFRS. PART #		RAM #		MFRS. PART #		RAM #		MFRS. PART #		RAM #	
	MFRS. PART #	RAM #	MFRS. PART #	RAM #	MFRS. PART #	RAM #	MFRS. PART #	RAM #	MFRS. PART #	RAM #	MFRS. PART #	RAM #
D1090, D2053	55C133 55C144	X119 X119	53A180 53B190	Y70F08 Y70F14/43	51B1072-1(W) 51B1071(L)⊙ 51B1025(L)	201R1A 201R3A 201R3A	55A128(O) 55B115, -A(B)	V305 V405				
D1092	C-9, 236	X036	C-9, 209	Y70F08	C-1, 458(W) C-1, 459(L)	201R1A 201R3A	C-9, 228-3(O) C-9, 230-2(B)	V305 V402				
D1990, D1992, D2987	16M-16157		13M-13590	Y70F08			12C-16050(O)					
D1991, B, D1933A, B, D1994, D1997A, D1998A, B, D2050A	53X296 53X299	X066 X066	9A1987 9A2048	Y70F08 Y70F08	9A1976(W) 9A1981(L) 9A2082(L)⊙	201R1A 201R3A	51X140(O) 51X145(O)⊙ 54X4(B) 54X6(B)A	V301 ■ V301 ■ V401 ■ V401 ■				
D2983	55C113	X036	53B140	Y70F08	51B1072(W) 51B1071(L)	201R1A 201R3A	55C114(O) 55B115(B)	V301 V405				
10AX21, 10AXF44, 12AX27, 16AX27, 16AX216, 16AY210, 17AY23, 17AY26, 17AY28, 17AY212, 17AY222: D2044, 2D1091A, 2D1095A, 2D1195A, 2D2043A, 2D2047B, 2D2049A, 2D2052A, A, B, C, D, E, 2D149A, 2D152A, 2D2219A, D2047, A, 2D2047A	12M-17967 12M-1828SD 12M-18286D 12M-18689, -1, -2 12M-19190 12M-19407, -2 ⊙ 201-18562-20 201-188430 201-19269 201-195330 201-19408 201-19817, -1, -30	X107 X107 X107 X108 X108 X109 X109 X108 X050 X050 X109 X109 X109 X109	13M-13590 13M-18888D 201-19490, -1 ⊕ ⊕ 201-19250 ⊕ 13M-19499(L)⊙ 13M-20052(L)⊙ 201-20186(L)⊙	Y70F08 Y70F08 Y70F08 Y70F08	13M-18233(W) 13M-18962(L)⊙ 13M-18961(L) 13M-19320(L)⊙ ⊕ 13M-19499(L)⊙ 13M-20052(L)⊙ 201-20186(L)⊙	201R1A 201R1A 201R5A 201R5A 201R17 201R5A 201R5A	12C-17303(O) 12C-19048(O) 12M-18241, -1	V305 ■ V313 V405				

MANUFACTURER MODEL NUMBER AND CHASSIS	HORIZONTAL OUTPUT		DEFLECTION YOKE		WIDTH COIL W LINEARITY COIL L		VERTICAL OUTPUT O VERTICAL BL OSC B	
	MFRS. PART #	RAM #	MFRS. PART #	RAM #	MFRS. PART #	RAM #	MFRS. PART #	RAM #
TRUETONE (Cont'd) 2D1088A, B, 2D1089A, B, 2D1093A, 2D1094A	53X301 53X306Ⓞ 53X309Ⓞ 53X307Ⓞ 53X311Ⓞ 53X315Ⓞ	X050 X050 X050 X050	9A2069 9A2080Ⓞ 9A2105Ⓞ 9A2115Ⓞ 9A2149Ⓞ	Y70F08 Y70F14/43 Y70F10/43 Y70F10/43 Y70F10/43	9A1976(W)Ⓞ 9A2075(W) 9A2111(L)	201R1A 201R4 201R3A	51X147(0) 51X149(0)Ⓞ 54X5(B)	V307 V313 V402■
2D1185A, B, C, D, E, 2D1190A, B, 2D1194A, 2D1230A	53X319Ⓞ 53X320	X110 X110	9A2193 9A2194Ⓞ 9A2256Ⓞ 9A2257Ⓞ	Y70F14/43 Y70F14/43 Y70F14 Y70F14	9A2183(W) 9A2172(L)	201R1A 201R12	51X151(0) 54X7(B)	V305■ V402■
20AY21, 20AY22, 21AY21A: 2D1224A, 2D1225A, 2D1228A, 2D2215A, 2D2223A, 2D1191A	201-19874 201-19999,-1	X110 X110	201-19947-1 201-20936Ⓞ	Y70F10/43 Y70F10/43	13M-18233(W) 201-20186-1(L)	201R1A 201R5A	12C-19849(B) 12M-18241-1(0)	V308 V405
2D1230B, C, D, E, 2D1344A, B, 2D2333A, B, C, D, 2D1345A, 2D1330, 2D1331A, B, C, 2D2334A, 2D1430A, 2D2433A	53X326 53X330Ⓞ	X110 X110	9A2256 9A2274Ⓞ	Y70F14/43 Y70F14/43	9A2183(W) 9A2262(L)	201R1A 201R15	51X156(0)Ⓞ 51X159(0)Ⓞ 54X8(B)	V312 V310 V402†
2D1430A, B, C, D, E, 2D2433B	53X330	X110	9A2334-1	Y70F14	9A2183(W) 9A2262(L)	201R4Ⓞ 201R15	51X168(0) 54X10(B)	V312■ V405
2D2431C, D	53X329	X110	9A2334-2	Y70F14	9A2183(W) 9A2262(L)	201R4Ⓞ 201R15	51X168(0) 54X10(B)	V312■ V405
2D1431A	53X338		9A2327-2	Y70F14/43	9A2292(W) 9A2293(L)		51X166(0) 54X9(B)	V312
2D1430F, 2D1431B	53X346	X110	9A2334-1	Y70F14	9A2183(W) 9A2262(L)	201R4Ⓞ 201R15	51X168(0) 54X10(B)	V312● V405
2D1235A, B, C, D, E, 2D1336A, 2D2431A	53X328 53X329Ⓞ	X110 X110	9A2261	Y70F14/43	9A2183(W) 9A2262(L)	201R1A 201R15	51X156(0) 54X8(B)	V312 V402†
2D1303A, 2D2301A, 2D2302A	9175, A	X053	6474	Y70F08	63T20(W) 63T22(L)	201R4 201R3A	91T3(0) 91T6(B)	V309 V405
17T1B, 21T1A, 21T2A: 2D1315A, B, 2D1316A, 2D1235A, B, 2D1415A, 2D1416A, 2D1426A, 2D1326A, 2D2312A, B, 2D2315A, 2D2314A, B, 2D2321A, B, 2D2322A, B, 2D2414A, 2D2415A, 2D2422A, 2D2313A, 2D2422B	201-21025,-1	X111	201-21130Ⓞ 201-21514Ⓞ	Y70F08 Y70F08			12C-20761(0) 12M-18241,-1, -3	V312 V401■
2D2423A, B, 2D2424A, 2D2425A, 2D2426A; 2D1411A, B	12E-23939	X126	201-23744 13M-23755 201-24056	Y70F08/43 Y70F08/43 Y70F08/43			12E-23726(0)	V313
2D1352A, 2D1353A	521066	X076	520942	Y70F14/43			520975(0) 520980(B)	V313 V405
2D1354A	520489	X096	115228	Y70F10/43	509361(W)	201R13A	509375(0) 508076(B)	V305 V405
9212C: 2D1358A	521343		115311	Y90F12/47	520911(L)		509375(0) 508076(B)	V305 V405
2D1359A	521735		115423		508667(W) 520911	201R14	520975(0) 520980(B)	V313 V405
17AY222: 2D2219A	201-19817-3	X109	201-19490-1	Y70F08	13M-18233(W) 201-20186(L)	201R4 201R5A	12C-19048(0) 12M-18241(B)	V305■ V401■

Ⓞ D1998B Ⓞ D1997A, D1998A, D2050A Ⓞ 2D1088B, 2D1089A, 2D1093A, 2D1094A Ⓞ 2D1089B, 2D1093A, 2D1094A Ⓞ 2D1094A Ⓞ 2D1093A
 Ⓞ 2D1089B Ⓞ 2D1089A Ⓞ 2D1088B Ⓞ 2D2449A, 2D2219A Ⓞ Alternate Ⓞ 2D1095A, 2D2052, 2D2049A, B Ⓞ 2D1195A, 2D2049A,
 2D2052A, B, C, 2D2152 Ⓞ 2D2052C Ⓞ 2D1095A Ⓞ 2D2149A, 2D1195A, 2D2049A, 2D2052A, B, D, E, 2D2152A, 2D2219A, 2D2052C, 2D2149A
 Ⓞ 2D2049A, 2D2052A, B Ⓞ 2D1195A Ⓞ 2D2052D, E, 2D2152A, 2D2149A, 2D2052C, 2D2152A, 2D2219A Ⓞ 2D2047 Ⓞ 2D2044 Ⓞ 2D1190A,
 B, 2D1194A, 2D1230A Ⓞ 2D1190A, 2D1194A Ⓞ 2D1185E Ⓞ 2D1230A Ⓞ 2D1344A, B, C, D Ⓞ 2D1230B, 2D1344A, B, Early Ⓞ D1090
 Ⓞ 2D1225A, 2D2215A, 2D2223A Ⓞ 2D2407A Ⓞ 2D2422A, 2D2422B Ⓞ 21-Inch Sets Ⓞ 2D1330, 2D1331C, 2D1345A, 2D2334A, 2D1430A,
 2D2433A Ⓞ 2D2431A, 2D1336A Ⓞ Use Original Slider and Core

U. S. TELEVISION	MFRS. PART #		RAM #		MFRS. PART #		RAM #	
	MFRS. PART #	RAM #	MFRS. PART #	RAM #	MFRS. PART #	RAM #	MFRS. PART #	RAM #
T10823, 10925, 12823, 15823	AC65043	X036	444301	Y70F08	AB42348(W) AB42349(L)	201R3A	AB45014(0) AB42346-1(B)	V304 V405
T16030, 19031, TFM16031, 19032, CFM16031, 19032; CKFM19032	AB42364	X077	PB44315, 6	Y70F08	AB42362(W)	201R1A	AB45014-3(0) AB42346(B)	V301 V401
12823-1, 15925, KR12823-1, 5831-3, C16024	US-F-1	X036	US-Y-1	Y70F08	US-W-1(W) US-L-1(L)	201R1A 201R3A	US-O-1(0) US-B-1(B)	V301 V405

MANUFACTURER MODEL NUMBER AND CHASSIS	HORIZONTAL OUTPUT		DEFLECTION YOKE		WIDTH COIL (W) LINEARITY COIL (L)		VERTICAL OUTPUT (O) VERTICAL BL. OSC. (B)	
	MFRS. PART #	RAM #	MFRS. PART #	RAM #	MFRS. PART #	RAM #	MFRS. PART #	RAM #
VIDAIRE								
100, A, 110, 120, 130K	T30-51	X077						
140K, KB, KD: 150K, KD, KE								
19TV9	T30-15	X036	30-213	Y70F08				
501	140-121	X066						
520A, B, 521	140-126	X053	30-213	Y70F08	T30-17(W) T30-16(L)	201R1A 201R10 201R10	T140-9(O) T140-8(B)	V301 V405
160B, 170	ET-106 ET-112A	ET-106 X074	EL-112D EL-138 EL-173, B	Y70F08 Y70F10 Y70F20/43	EL-127(W) EL-181(W) EL-126(L) EL-160(L)	201R12 201R14 201R5A 201R15	ET-103(O) ET-100(O) ET-102(B) ET-115(B)	V310 V301 V405 V405

MANUFACTURER MODEL NUMBER AND CHASSIS	HORIZONTAL OUTPUT		DEFLECTION YOKE		WIDTH COIL (W) LINEARITY COIL (L)		VERTICAL OUTPUT (O) VERTICAL BL. OSC. (B)	
	MFRS. PART #	RAM #	MFRS. PART #	RAM #	MFRS. PART #	RAM #	MFRS. PART #	RAM #
VIDEOLA								
VS-160, -161, -165, -166, -167, -168	11T5 T77J1	X077 X045	1D1	Y70F0P Y70F10/43	1R4(W) 1R5(L)	201R1A 201R3A	4T2(O) 8T2(B)	V301 V401

MANUFACTURER MODEL NUMBER AND CHASSIS	HORIZONTAL OUTPUT		DEFLECTION YOKE		WIDTH COIL (W) LINEARITY COIL (L)		VERTICAL OUTPUT (O) VERTICAL BL. OSC. (B)	
	MFRS. PART #	RAM #	MFRS. PART #	RAM #	MFRS. PART #	RAM #	MFRS. PART #	RAM #
VIDEO PRODUCTS								
630K2, K2C, K3A, B: 260 Series	ET-104	X050	VP-Y-1	Y70F08		201R1A 201R3A		V301 V401
630DXC, DX24C, K3C, K4C, K24C, K4C-DXM	ET-106	ET-106	ET-112D EL-138	Y70F08 Y70F10	EL-127(W) EL-126(L)	201R12 201R5A	ET-103(O) ET-102(B)	V310 V405
530 Series: C2100, C2120, T1750, P, T1755, T12150, T2155, T1255, 21BC10, 21MC10, 21MT10	ET-112A	X074	EL-173, B	Y70F20/43	EL-181(W) EL-160(L)	201R14 201R15	ET-110(O) ET-115(B)	V309 V405
530 AD, ADX; 250 XL: C2125, T1755, T2155	ET-119B	X074	EL-173	Y70F20/43	EL-195(W)	201R15	ET-110(O)	V309

MANUFACTURER MODEL NUMBER AND CHASSIS	HORIZONTAL OUTPUT		DEFLECTION YOKE		WIDTH COIL (W) LINEARITY COIL (L)		VERTICAL OUTPUT (O) VERTICAL BL. OSC. (B)	
	MFRS. PART #	RAM #	MFRS. PART #	RAM #	MFRS. PART #	RAM #	MFRS. PART #	RAM #
WAMAMAKER, JOHN								
T20E: C1720T, C2020T, V; C2420D, 2020W	T108	X066		Y70F08	L113(W) L114(L)	201R1A 201R3A	T106(O)	V301 V401

MANUFACTURER MODEL NUMBER AND CHASSIS	HORIZONTAL OUTPUT		DEFLECTION YOKE		WIDTH COIL (W) LINEARITY COIL (L)		VERTICAL OUTPUT (O) VERTICAL BL. OSC. (B)	
	MFRS. PART #	RAM #	MFRS. PART #	RAM #	MFRS. PART #	RAM #	MFRS. PART #	RAM #
WELLS-GARDNER								
9T25A, B, 26A, B Series: 30T14-056, 38T12-058, 39T18A-062, 39T25A, B-192, 39T26A, B-170, 239T26A, B-172, 317GS34C-218, -220, -278, 321MS31C-222, -224, -272, -274, -276, -280, -282, -284, -354A-386-1, 321MS39-322, -372-2, -376-1, -354A-386, 1321MS31C-296, 2321MS31-354A-388-1, 324, -370, -396-1, 354A-388	53X303D 53X307D 53X318D 53X319D 53X320D 53X326 53X328 53X329D 53X330	X050 X050 X110 X110 X110 X110 X110 X110 X110	9A2080D 9A2106D 9A2149D 9A2194D 9A2255 9A2256 9A2261 9A2274	Y70F12 Y70F08 Y70F10/43 Y70F14/43 Y70F14/43 Y70F14/43 Y70F14/43 Y70F14/43	9A1976(W)D 9A2075(W)D 9A2183(W) 9A2111(L)D 9A2127(L)D 9A2262(L) 9A2183(W)D 9A2292(W) 9A2262(L)D 9A2293(W)	201R1A 201R4 201R1A 201R3A 201R12 201R15 201R4D 201R15	51X147(O)D 51X149(O)D 51X151(O)D 51X156(O) 54X5(B) 54X7(B)D 54X8(B)	V307 V313 V305 V312 V402 V402 V402
321GM44-A, B-462, -464, 321GM47-486, 2321GM47-488, (2) 321AM50-A-432, -486, -488-1	53X330D 53X337 53X338 53X346	X110 X110 X110 X110	9A2327-2 9A2334-ID	Y70F14/43 Y70F14	9A2183(W)D 9A2292(W) 9A2262(L)D 9A2293(W)	201R4D 201R15	51X156(O) 51X168(O)D 54X9(B) 54X10(B)D	V312 V312 V405 V405
(2) 321AM49-A-436, -438, -470, -494, (2) 321AM54-A-436, -438, -470, -494	53X342	X110	9A2334-1, -3	Y70F14			51X160(O) 54X10(B)	V312 V405

Ⓢ Series 9T25A, B, 9T26A, B Ⓢ Series 38T12A, 30T14A Ⓢ Series 39T18A Ⓢ Series 38T12A, 39T18A Ⓢ Series 30T14A Ⓢ Series 30T12A Ⓢ Series 38T12A Ⓢ (2) 321GM47-486, -488 Ⓢ 2321MS39-324, -370, -396, -1 Ⓢ Use Original Slider-core

MANUFACTURER MODEL NUMBER AND CHASSIS	HORIZONTAL OUTPUT		DEFLECTION YOKE		WIDTH COIL (W) LINEARITY COIL (L)		VERTICAL OUTPUT (O) VERTICAL BL. OSC. (B)	
	MFRS. PART #	RAM #	MFRS. PART #	RAM #	MFRS. PART #	RAM #	MFRS. PART #	RAM #
WESTINGHOUSE								
V2130-I: H196, 207	5934	X036	6073	Y70F08	WE-W-1(W) WE-L-1(L)	201R1A 201R3A	V5938(O) 5937(B)	V301 V401
V2146-05, DX, 45DX, -I: H216A, 217A	6213	X077	8201	Y70F08	6207(W) 6206(L)	201R1A 201R5A	5938(O) 5937(B)	V301 V401
V2146-11DX, 35DX: 217B	6213	X077	6073	Y70F08	6207(W) 6206(L)	201R1A 201R5A	5938(O) 5937(B)	V301 V401
V2146-21DX, 25DX: H226	6213	X077	6612	Y70F08	6619(W) 6206(L)	201R1A 201R5A	5938(O) 5937(B)	V301 V401
V2150-31: H242	6995		6486-2	Y70F25			6508(O)	V301
V2150-51: H231	6457		6486-1	Y70F25	6619(W) 6206(L)	201R1A 201R5A	6508(O)	V301
V2150-41, 61: 600T16, 60K12, 602K12	9278		6486-2	Y70F25			6981-1(O)	V305
V2150-61A, B: H600T16	9276		6486-2	Y70F25			6981-1(O)	V305
V2150-91A, 94, A: H604T10, A	9445		6486-3	Y70F25			6981-2(O)	V305
V2150-94C: H609T10	6457		6486-3	Y70F25			6981-2(O)	V305

MANUFACTURER MODEL NUMBER AND CHASSIS	HORIZONTAL OUTPUT		DEFLECTION YOKE		WIDTH COIL (W) LINEARITY COIL (L)		VERTICAL OUTPUT (O) VERTICAL BL. OSC (B)	
	MFRS. PART #	RAM #	MFRS. PART #	RAM #	MFRS. PART #	RAM #	MFRS. PART #	RAM #
WESTINGHOUSE (Cont'd)								
V2150-101: H605T12	9803		6486-2		Y70F25		6981-1(0)	V305
V2150-111: H606K12, 607K12	9278		6486-2		Y70F25		6981-1(0)	V305
V2150-136: H610T12, 614T12	9278		9596-1				9584-1(0)	V309
V2150-186: H618T16, 620K16	9803		9210-3		Y70F25		9584-1(0)	V309
V2150-197: H625T12	9759		9210-2		Y70F25		9584-1(0)	V309
V2150-146: H613K16	9589-1		8298				9584-1(0)	V309
V2150-176: H617T12, 619T12	9572-1		9210-2		Y70F25		9584-1(0)	V309
V2150-176U: H619T12U	9759		9210-2		Y70F25		9584-1(0)	V309
V2150-177U:	9572-1		9210-2		Y70F25		9584-1(0)	V309
V2152-16: H611C12, 615C12	6979-1		6486-4		Y70F25		6981-1(0)	V305
V2170, 2173: H633C17, 634C17	9904-1	X081	10049-3		Y70F10/43	9902(W) 9960(L)	201R11 201R15	6981-3(0) V305
V2171: 627K16, 628K16, 629K16	10204-1 9904-1	X082 X081	10049-2		Y70F10/43	9902(W) 9960(L)	201R11 201R15	6981-3(0) V305
V2172: 626T16	10204-1 9904-1	X082 X081	10049-2		Y70F10/43	9902(W) 9960(L)	201R11 201R15	6981-3(0) V305
V2175: 636T17	10204-1	X082	10049-2		Y70F10/43	9902(W) 9960(L)	201R11 201R15	6981-3(0) V305
V2175-1, -3, -4, 5: 640T17, 641K17, 646K17, 647K17, 654T17	10204-1	X082	10045-4		Y70F10/43	9902(W) 9960(L)	201R11 201R15	6981-3(0) V305
V2176: H630T14	9904-1	X081	10049-2		Y70F10/43	9902(W) 9960(L)	201R11 201R15	6981-3(0) V305
V2177: H637T14	10204-1	X082	10045-4		Y70F10/43	9902(W) 9960(L)	201R11 201R15	6981-3(0) V305
V2178: H638K20	9904-1	X081	10045-1		Y70F10/43	9902(W)	201R11	6981-3(0) V305
V2178: H642K20	10204-1	X082	10045-1		Y70F10/43	9902(W) 9960(L)	201R11 201R15	6981-3(0) V305
V2179-1: H643K16	10204-1	X082	10049-1		Y70F10/43	9902(W) 9960(L)	201R11 201R15	6981-3(0) V305
V2192, -1, -2, -3: H640T17A, 641K17	10213	X081	10049-5		Y70F10/43	9902(W) 9960(L)	201R11 201R15	6981-3(0) V305
V2194-1, 2, 3: H642K20A, 652K20	10214-1	X082	10049-5		Y70F10/43	9902(W) 9960(L)	201R11 201R15	6981-3(0) V305
V2200-1: H651K17, 655K17, 656K17, 657K17, 649T17, 650T17, 664K17	10213-1	X081	10049-5		Y70F10/43	9902(W) 9960(L)	201R11 201R15	6981-3(0) V305
V2201-1: H652K20	10214-1	X082	10049-6		Y70F10/43	9902(W) 9960(L)	201R11 201R15	6981-3(0) V305
V2202-2, 2210-1, X0833-1: H653K24, H688K24	10833-1		10049-6		Y70F10/43	9902(W) 9960(L)	201R11 201R15	6981-3(0) V305
V2203-1: H660C17, 661C17	10214-1	X082	10049-6		Y70F10/43	9902(W) 9960(L)	201R11 201R15	6981-3(0) V305
V2204-1: H659T17	10213-1	X081	10045-4		Y70F10/43	9902(W) 9960(L)	201R11 201R15	6981-3(0) V305
V2207-1, 2208-1: H706T16, H716T17	10214	X082	10049-6		Y70F10/43	9902(W) 9960(L)	201R11 201R15	10909-1(0) V312
V2214-1, 2216-1, 2216-2, 2217-1, 2, 2218-1, 2: H678K17, 679K17, 699K17, 705K17, 702K17, 690K21, 691K21, 710T21, 711T21, 695K21, 722K21, 714K21, 715K21, 689T16, 730C21, 732C21, 733C21	10214-1	X082	10049-6		Y70F10/43	9902(W) 9960(L)	201R15	10909-1(0) V312
V2220-1, 2: H708T20, 718K20, 724T20, 725T20	10214-1	X082	10049-6		Y70F10/43	9902(W) 9960(L)	201R11 201R15	10909-1(0) V312
V2227-1, -2, V2232-2, V2233-1, -2, -4: H740T21, 737T17, 742K21, 743K21, 750T21, 753K21, 751T21, 752T21, 754K21, 755, 756, 757, 758, 759, 760T21, 761T21, 760TV21, 761TV21, 736T16, 738T17	10214-1 1154B-1 1154B-2	X082 X127 X127	10538-6 11571-1 V-11570-1		Y70F10/43 Y70F20/43 Y70F20/43	11566-2(W) 11546-2(W) 11545-1(L) 11546-3(W)	201R12 201R12 201R10 201R12	10909-1(0) V312
V-2240, -1, -2, -3, 2243, -1, -2, -3, -4; 2247-1; 2249-1; 2263, -2, -11, -12, -13, -14, -15, -22, -222; 2273-111, -122, -124, -132, -134, -222: H765, 766(T17); H769, 770, 771, 772, 773, 774, 775, 776, 780, 827, 828, 829 (T21); H772, 773, 774, 775, 776, H782, 783, 784, 785, 786, 787, 791, 792, 793, 822, 823, 830, U, K, 831, U, K, 834, 835(K21); H788, 789, 790, 791, 792, 793, 794, 795, 796, 797, 798, 799, 810, 811(T17)	V-1154B-1 V-1154B-30	X127 X127	V-12218-1		Y70F20/43	V-11791-1(W) V-11789-1(L)	201R5A 201R15	V-10909-2(0) V312
V-2250-1: H795T27; H815T24; H817K24	V-12073-1	X127	V-12072-1			V-12103-1(W) V-12102-1(L)	201R16 201R15	V-6981-6(0) V-6981-1, -2, -3 V-10909-2(0)
V2313, -2323: H838, 843, 844, 847, 848, K(U) 21; H841, 842, 861, 862, 863, 864, 865, 866, 867 TV21A, 867, A, 868, A, 871, 872(T) (V) 21, 878	V-14346-1	X127	V-12218-3		Y70F20/43	V-14602-1(W) V-14601-1(L)	201R12B 201R15B	V-10909-2(0) V312

MANUFACTURER MODEL NUMBER AND CHASSIS	HORIZONTAL OUTPUT		DEFLECTION YOKE		WIDTH COIL W. LINEARITY COIL		VERTICAL OUTPUT VERTICAL BL. OSC.	
	MFRS. PART #	RAM #	MFRS. PART #	RAM #	MFRS. PART #	RAM #	MFRS. PART #	RAM #
WESTINGHOUSE (Cont'd)								
V2314, -2324: H853, 854, 869, 870, 878, 884K(U) 24; H875, 876, 877(U) 24	V-14627-1	X127	V-14662-1		V-14602-2(W) V-14601-1(L)	201R5A 201R15B	V-14609-1(0)	V302*
V2315, V2325: H-882T(U) 21, V, S, H-883T(U) 21, V, S, H-884K(U) 21, V, S, H-885(U) 21, V, S, H-886K(U) 21, V, S, H-887K(U) 21, V, S, H-906K21, V, S, H907K21V, S	V-15324-1	X127	V-15271-1		V-11546(W) V-11545(L)	201R15 201R15	V-15325-1(0)	V307
V2318, 2189-6, 2328: H-853K(U) 24-A, V, S, H-854K(U) 24A, V, S, H-869K(U) 24A, V, S, H870K(U) 24A, V, S, H875T(U) 24B, S, V, H876T(U) 24B, V, S, H877T(U) 24B, V, S, H881K(U) 24A, V, S, H888C(U) 24, V, S, H-889C(U) 24, V, S	V-14627-1	X127	V-15271-4		V-14602-2(W) V-14601-1(L)	201R5A 201R15B	V-14609-1(0)	V302*

Ⓞ Mod. 755, 756, 788, 789, 790, 794, 798, 799, 810, 811, 827, 828, 829, 830, 831, 834, 835 Ⓞ Use Orig. Slider-Core Assy.

ZENITH	MFRS. PART #		MFRS. PART #		MFRS. PART #		MFRS. PART #	
	MFRS. PART #	RAM #	MFRS. PART #	RAM #	MFRS. PART #	RAM #	MFRS. PART #	RAM #
19K20, 19K22: K1812E, K1814, K1815E, R, K1820E, R, K1846E, R, K1850E, R, K1880R	S-18567 S-18990Ⓞ	X116 X116	95-1297	Y70F14/43	S-18748(W) S-18570(L)	201R12	95-1309(0)	V314
19K20-3, 19K22-3, 19K23-3, 19K24-3: K1812E-3, R-3, K1820E-3, R-3, K1846E-3, R-3, K1880R-3, K2229E-3, R-3, K2235E-3, R-3, K2262R-3, K2286R-3	S-19728	X116	95-1335	Y70F12	S-18748(W) S-18570(L)	201R12	95-1309(0)Ⓞ 95-1361(0)	V314 V314
19K23, Z: K2229E, R, K2235E, R, K2258E, K2258E-3, R, K2262R, K2286R, K2288E	S-19032	X116	95-1306	Y70F14/43	S-18748(W) S-18570(L)	201R12	95-1309(0)	V314
19L25, U, 19L27, U: L1846E, EU, P, RU, L2236E, EU, R, RU, L2258E, EU, R, RU, L2281E, EU, R, RU, U, L2285R, RU	S-18567	X116	95-1357	Y70F12	S-18748(W) S-18750(L)	201R12	95-1361(0)	V314
19L26, U, 19L28, U, 19L30, U, 19L33, U, 19L34: L1800R, L1812E, EU, P, RU, L1820E, EU, R, RU, L2228R, RU, L2229E, EU, R, RU, L2235E, EU, R, RU, L2237E, R, L2237EU, RU, L2250E, R, L2250EU, RU, L2262C, CU, R, RU, 2251EZ1, RZ1, Z1, 2258RZ1	S-19728	X116	95-1357	Y70F12	S-19486(W) S-18750(L)	201R15 201R12	95-1361(0)	V314
19M20, Z, 19M21, Z: M1800E, R, EZ, RZ, 2228E, R, RZ, 2229E, R, EZ, 2230E, R, RZ, RZ2, 2249E, R, RZ, 2250E, R, EZ, RZ, 2252E, R, EZ, RZ	S-20993	X116	95-1378	Y90F12/47			95-1377(0)	V307*■
19R20, U, 19R21, U: R1800E, EU, R, RU, R1812E, EU, R, R2229E, EU, R, RU, R2230E, EU, R, RU, R2249E, EU, R, RU, R2250E, EU, R, RU, R2253M, R2257E, EU, R, RU, R2258E, EU, R, RU	S-22154		95-1413	Y70F14/43			95-1421(0)	V307*■
20H20: H2029R, H2030E, R, H2041R, H2052R, H2053E, H2868R, H3073E, H3074R	S-17939 S-18125Ⓞ	X070 X070	95-1263	Y70F14	S-17949(W) S-17176(L)	201R13A 201R3A	95-1275(0)	V305
20J21, 20J22: J2026R, J2027E, J2029E, R, J2030E, R, J2031R, J2032R, J2040E, J2042R, J2043R, J2044E, R, J2046R, J2049R, J2050E, R, J2051E, J2052R, J2053R, J2054R, J2055R, J2056R, J2766R, J2868R, J3069E	S-18487 S-18537Ⓞ	X070 X070	95-1292	Y70F12	S-18420(W) S-18421(L)		95-1275(0)	V305
20J23: J2226R, J2232R, J2252R, J2253R, J2255R, J2256R	S-18990	X116	95-1307		S-18748(W) S-18421(L)		95-1275(0)	V305
20M20, Z: M2237EZ, R, RZ, 2260R, Z, 2261E, EZ, 2267Y, YZ	S-21219		95-1358	Y70F12	S-18748(W) S-19342(L)	201R13A	95-1377(0)	V307*■
20M21, Z: M2570R, RZ	S-21317		95-1388		S-18748(W) S-19342(L)	201R13A	95-1384(0)	
21J20, 21J21: J2126R, J2127E, R, J2129E, R, J2130E, R, J2140E, J2142R, J2143R, J2144E, R, J2151E, J2153R, J2154R, J2155R, J2868R, J3169E	S-18125	X070	95-1263	Y70F14	S-18420(W) S-18421(L)		95-1275(0)	V305
21K20, Z: K2230E, R, K2240E, R, K2260R, K2263E, K2266, R, K2267E, K2268R, K2270H, R, K2271H, K2287R, K2290R, K2291E	S-19032	X116	95-1306	Y70F14/43	S-18748(W) S-18570(L)	201R12	95-1309(0)	V314

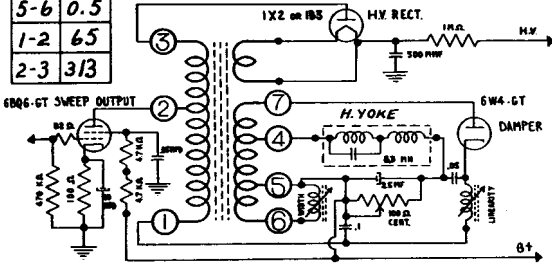
MANUFACTURER MODEL NUMBER AND CHASSIS	HORIZONTAL OUTPUT		DEFLECTION YOKE		WIDTH COIL W LINEARITY COIL L		VERTICAL OUTPUT O VERTICAL BL OSC B	
	MFRS. PART #	RAM #	MFRS. PART #	RAM #	MFRS. PART #	RAM #	MFRS. PART #	RAM #
ZENITH (Cont'd) 21K20-3, 21L21, U: K2260R-3, K2263E-3, K2266R-3, K2267E-3, K2271H-3, K2287R-3, K2291E-3, L2259E, EU, R, RU, L2260R, RU, L2261E, EU, H, HU, L2266R, RU, L2267E, EU, H, HU, L2270, H, L2287R, RU, L2291E	S-18567 S-190320	X116 X116	95-13580 95-1335	Y70F12 Y70F12	S-18748(W) S-19342(L)	201R12	95-1361(0)0 95-1309(0)	V314 V314
22H20, Z: H2226, E, R, RQ, PZ, H2227E, EQ, R, RO, RZ, H2250R, RQ, H2255E, EQ, H2262	S-17130 S-172650	X070 X070	95-1241	Y70F14/43	S-17112(W) S-17176(L)	201R3A	95-1239(0)	V305
22H21, 22H22: H2229R, H2230E, R, H2241R, H2242E, R, H2252R, H2253E, R, H2254R, H3068R, H3273E, H3274R, H3284R, H3373R	S-17927 S-189300	X070 X070	95-1263	Y70F14	S-17175(W) S-17176(L)	201R3A	95-1239(0)	V305
22R20, U, /10L20: R2337E, R, EU, RU, R2359E, R, EU, RU, R2360R, RU, R2368R, RU, R2367E, Y, EU, YU, R2387R, RU, R2391E, EU	S-22130		95-1406	Y70F14/43	S-18748(W) S-19342(L)	201R13A	95-1377(0)	V3070
22R21: R2671E, EU, R, RU, R2975R, RU, R2976E, EU, R2979E, EU, R2994E, HU	S-2317		95-1388		S-18748(W) S-19342(L)	201R13A	95-1384(0)	
22L20, U, 22L22U: L2571R, RU, L2572R, RU, L2573E, EU, L2574R, RU, L2575E, EU, L2592R, RU, L2593H, HU, L2876E, EU, R, RU, L2878R, L2879E, EU, L2894H, HU	S-20099	X116 0	95-1359	Y90F12/47	S-18748(W) S-19342(L)	201R12	95-1352(0)	V314
23G22, Z, 23G23, 23G24, Z1: G2322, R, RZ, Z, G2326, E-Z1, R-Z1, Z1, G2327, E, E-Z1, R, R-Z1, Z, Z1, G2340, R, G2340RZ, Z, G2346, R, RZ, G2350, R, RZ, R-Z1, Z, Z1, G2353, E, G2353EZ, E-Z1, G2355EZ, E-Z1, RZ, R-Z1, G2957, R, G2958, R, G3157RZ, Z, Z1, G3158RZ, R-Z1, G3173RZ, Z, G3174RZ, R-Z1	S-16204 S-172440 S-176690	X070 X070 X070	95-1217	Y70F08	S-16556(W) S-16751(W)	201R12 201R4	95-1112(0) 95-1226(0)0	V305 V305
23H22, Z: H2328E, EZ, R, RQ, RQZ, RZ, H2329R, RQ, RZ, H2330E, R, H2341R, H2352R, RQ, RQZ, RZ, H2353E, EQ, EQZ, EZ, H3168R	S-17435 S-189300	X070 X070	95-1263	Y70F14	S-17175(W) S-17176(L)	201R12 201R3A	95-1239(0)	V305
24G20-OX, 24G21, -OX: G2420E, -EOX, R, -ROX, G2454R, -ROX	S-15709	X070	95-1110	Y70F08	S-16049(W)	201R4	95-1112(0) 95-1113(B)	V305 V401
24G22, 24G23, 24G24, 24G25, 24G26, Z1: G2437, EZ, E-Z1, RZ, R-Z1, G2438, R, R-Z1, Z, Z1, G2439, RZ, R-Z1, Z, Z1, G2441, R-OX, R, RZ, Z, Z1, G2442E, R, G2442E-Z, R-Z, G2448R, G2448RZ, R-Z1, G3059R, G3062, G3259RZ, R-Z1, G3262Z, Z1, G3275RZ, G3276Z, Z1	S-16566 S-172450 S-176460	X070 X070 X070	95-1198	Y70F14/43	S-16565(W)0 S-16751(W) S-16752(W)	201R5A 201R5A 201R5A	95-1219(0)	V301
24H20, 24H21: H24360, H2437E, EQ, R, RQ, H2438R, RQ, H2439R, RQ, H2443R, H2445R, RQ, H2447R, RQ, H2449E, EQ, H2475R, H3374R, H3467R, H3469E, EQ, H3475R, RQ, H3477R, RQ, H3478E, EQ, H3490EQ, H3267, R, RQ	S-17140 S-172330	X070 X070	95-12460 95-1263 95-12670	Y70F14/43 Y70F14/43 Y70F14/43	S-17175(W) S-17176(L)	201R12 201R3A	95-1240(0)	V310
27F20, Z, 27G20, -OX, 28F20-OX, Z, 28F21, 28F22, 28F23, -OX, 28F25: G2745R, ROX, G2845R, ROX, 27T965R, 28T925E, GO, R, 28T926E, EOX, R, 28T960, E, K, EZ, GO, 28T961E, GO, 28T962R, RZ, Z, 28T963, R, 28T964R, 37T996RLP, OX, 37T998RLP, RLPZ, RLPZ1, 42T999RLP, RLP, -OX, Z	S-15015 S-157090 S-161910 S-178120	X070 X070 X070 X070	95-11100 95-1165	Y70F08 Y70F08	S-15042(W)0 S-15711(W)0	201R1A 201R1A	95-1111(0) 95-1112(0)0 95-1113(B)	V305 V305 V401
28K20: K2872R, K2873E	19408	X116 0	95-1325		S-19409(W) S-19410(L) S-19411(L) S-19735(L)	201R13A 201R4 201R15	95-1326(0)	
29G20, -OX: G2951, R, ROX, G2952, R, ROX	S-15911 S-177670	X070 X070	95-1165	Y70F08	S-16049(W)0 S-16049(W)0	201R1A 201R4	95-1166(0) 95-1113(B)	V301 V401

0 Alternate 0 Ch. 19K20-3 0 Ch. 21L21 0 Ch. 24G24 0 Ch. 24H20 0 Ch. 27F20, 28F20, 21, 22, 23, 25 0 Obtain X070 Mounting Plate from distributor

TYPICAL CIRCUIT APPLICATIONS

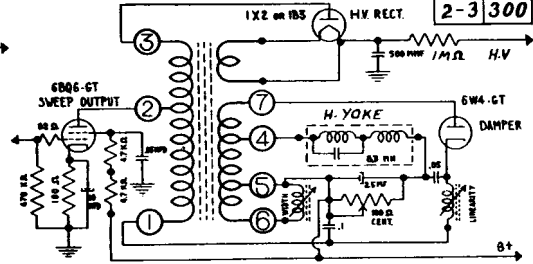
D. C. RESISTANCE	
PIN NOS.	OHMS
7-4	3
4-5	6.6
5-6	0.5
1-2	65
2-3	313

X032



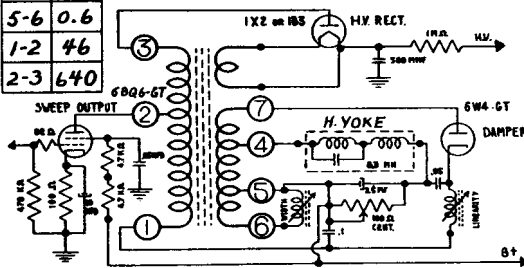
D. C. RESISTANCE *			
PIN NOS.	OHMS	PIN NOS.	OHMS
7-4	3	5-6	0.5
4-5	6.7	1-2	58
		2-3	300

X047



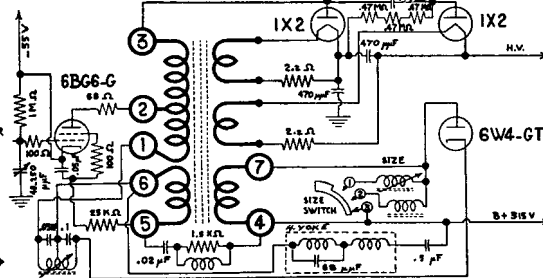
D. C. RESISTANCE	
PIN NOS.	OHMS
7-4	2.8
4-5	7.8
5-6	0.6
1-2	46
2-3	640

X035



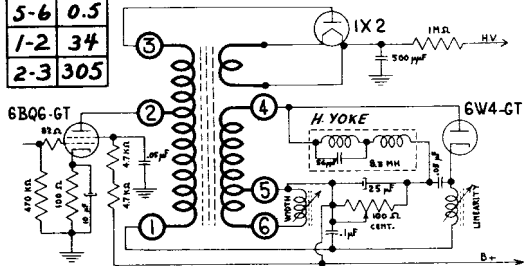
D. C. RESISTANCE *			
PIN NOS.	OHMS	PIN NOS.	OHMS
7-4	1.2	1-2	31.3
5-6	5.1	2-3	7.2

X048



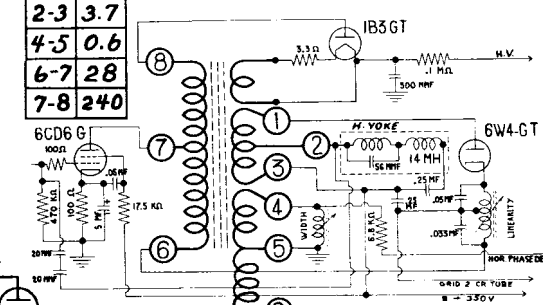
D. C. RESISTANCE	
PIN NOS.	OHMS
4-5	6
5-6	0.5
1-2	34
2-3	305

X036



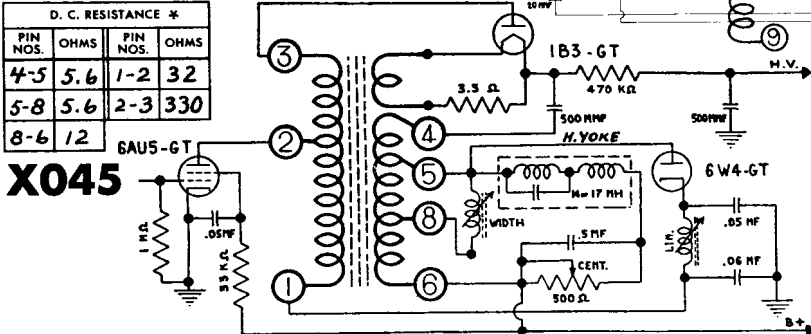
D. C. RESISTANCE *			
PIN NOS.	OHMS	PIN NOS.	OHMS
1-2	0.8	5-9	1.0
2-3	3.7		
4-5	0.6		
6-7	28		
7-8	240		

X049



D. C. RESISTANCE *			
PIN NOS.	OHMS	PIN NOS.	OHMS
4-5	5.6	1-2	32
5-8	5.6	2-3	330
8-6	12		

X045



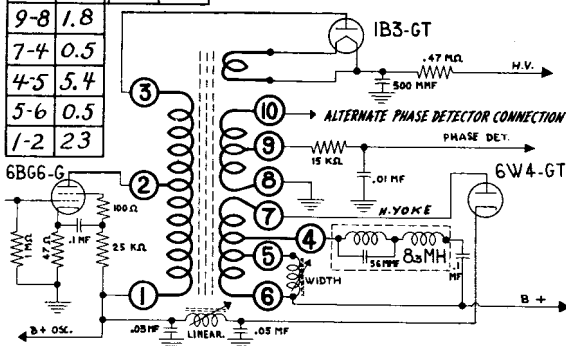
* NOTE

THE D-C RESISTANCE VALUES INDICATED ARE FOR COMPARISON PURPOSES ONLY. Due to variations in wire size, continual permeability improvement in core material, and production winding techniques, these values may vary and still produce the required inductance.

TYPICAL CIRCUIT APPLICATIONS

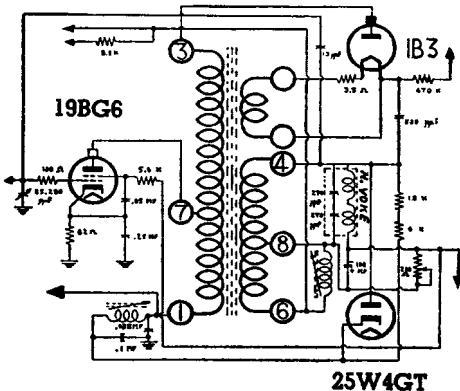
X050

D. C. RESISTANCE *			
PIN NOS.	OHMS	PIN NOS.	OHMS
10-9	1.8	2-3	57.7
9-8	1.8		
7-4	0.5		
4-5	5.4		
5-6	0.5		
1-2	23		



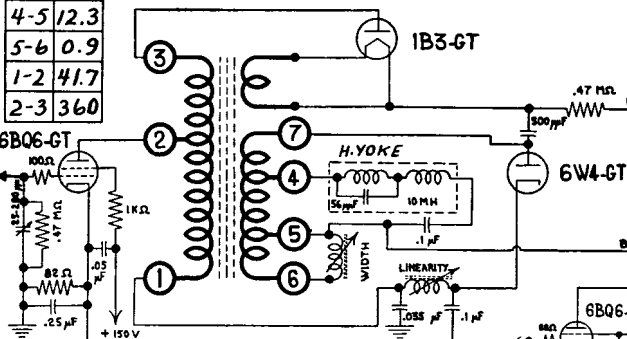
X051

D. C. RESISTANCE *			
PIN NOS.	OHMS	PIN NOS.	OHMS
4-8	3.1	1-7	29.5
8-6	13	7-3	323



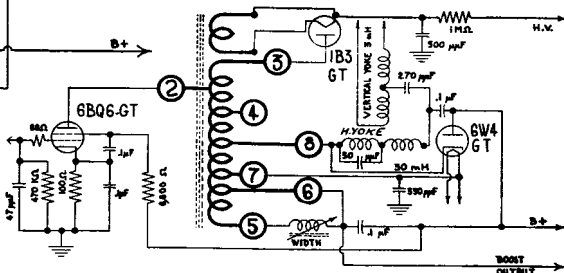
X053

D. C. RESISTANCE	
PIN NOS.	OHMS
7-4	11.5
4-5	12.3
5-6	0.9
1-2	41.7
2-3	360



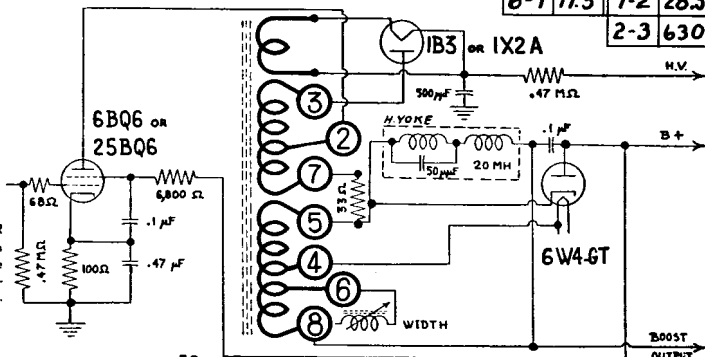
X064

D. C. RESISTANCE *			
PIN NOS.	OHMS	PIN NOS.	OHMS
5-6	5.4	8-4	6
6-7	2.0	4-2	22
7-8	25	2-3	690



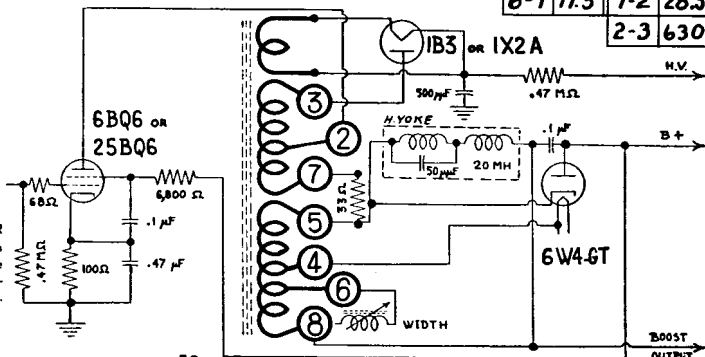
X065

D. C. RESISTANCE *			
PIN NOS.	OHMS	PIN NOS.	OHMS
8-6	4.8	4-5	27.6
6-4	11.5	7-2	28.5
		2-3	630



X054

D. C. RESISTANCE *			
PIN NOS.	OHMS	PIN NOS.	OHMS
6-5	1.3	7-2	9
1-4	13	8-3	480
4-7	4		



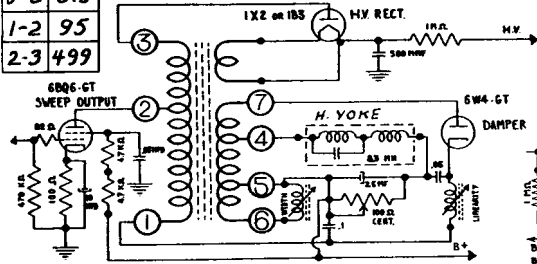
* NOTE

THE D-C RESISTANCE VALUES INDICATED ARE FOR COMPARISON PURPOSES ONLY. Due to variations in wire size, continual permeability improvement in core material, and production winding techniques, these values may vary and still produce the required inductance.

TYPICAL CIRCUIT APPLICATIONS

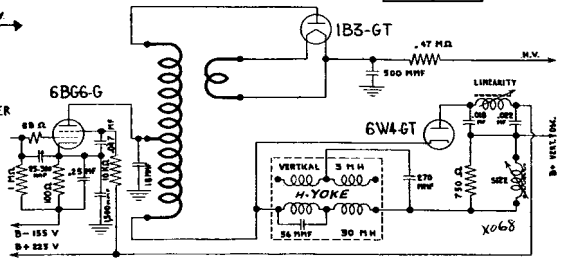
D. C. RESISTANCE	
PIN NOS.	OHMS
7-4	3
4-5	6.7
5-6	0.5
1-2	95
2-3	499

X066



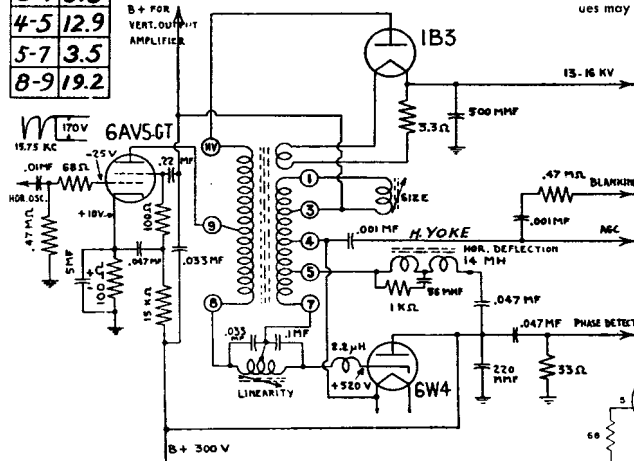
D. C. RESISTANCE	
PIN NOS.	OHMS
A-B	55
B-C	445

X068



D. C. RESISTANCE			
PIN NOS.	OHMS	PIN NOS.	OHMS
1-3	2.5	9-HV	530
3-4	5.8		
4-5	12.9		
5-7	3.5		
8-9	19.2		

X069

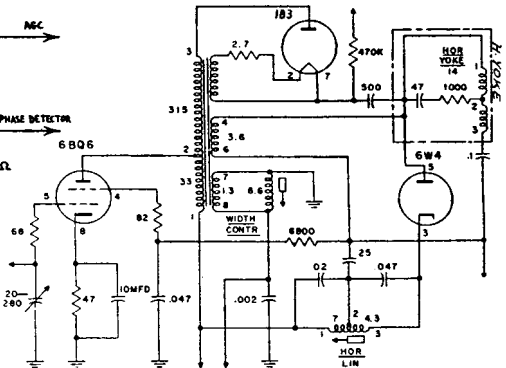


* NOTE

THE D-C RESISTANCE VALUES INDICATED ARE FOR COMPARISON PURPOSES ONLY. Due to variations in wire size, continual permeability improvement in core material, and production winding techniques, these values may vary and still produce the required inductance.

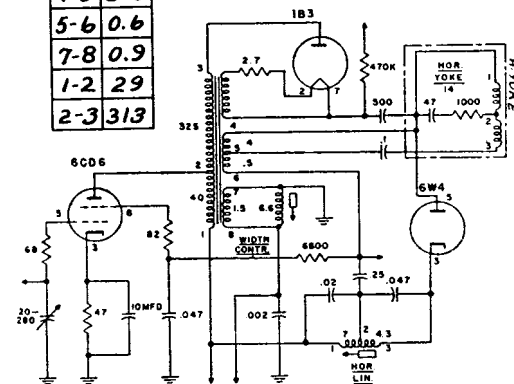
D. C. RESISTANCE *			
PIN NOS.	OHMS	PIN NOS.	OHMS
4-6	4.8	1-2	26.1
7-8	0.8	2-3	300

X072



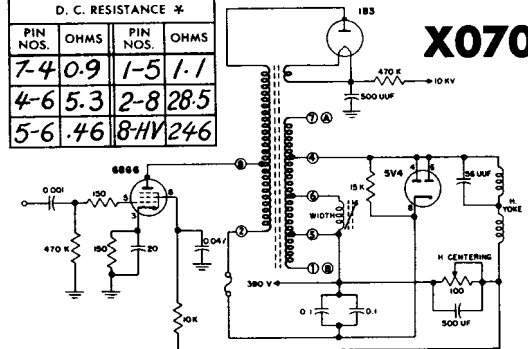
D. C. RESISTANCE	
PIN NOS.	OHMS
4-5	5-6
5-6	0.6
7-8	0.9
1-2	29
2-3	313

X071



D. C. RESISTANCE *			
PIN NOS.	OHMS	PIN NOS.	OHMS
7-4	0.9	1-5	1.1
4-6	5.3	2-8	28.5
5-6	.46	8-HV	246

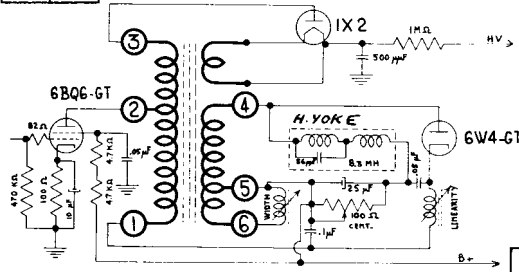
X070



TYPICAL CIRCUIT APPLICATIONS

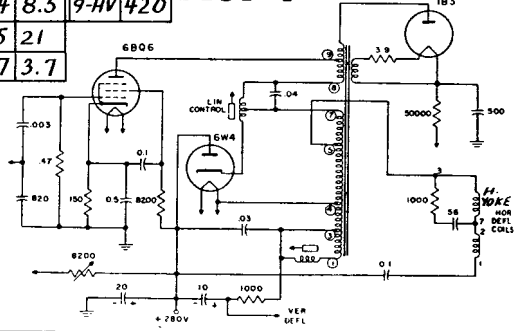
D. C. RESISTANCE	
PIN NOS.	OHMS
4-5	6
5-6	0.5
1-2	35
2-3	310

X073



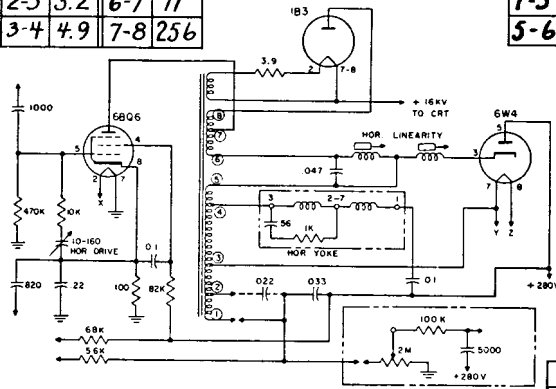
D. C. RESISTANCE *			
PIN NOS.	OHMS	PIN NOS.	OHMS
1-3	3.8	8-9	22.3
3-4	8.5	9-HV	42.0
4-5	21		
5-7	3.7		

X074



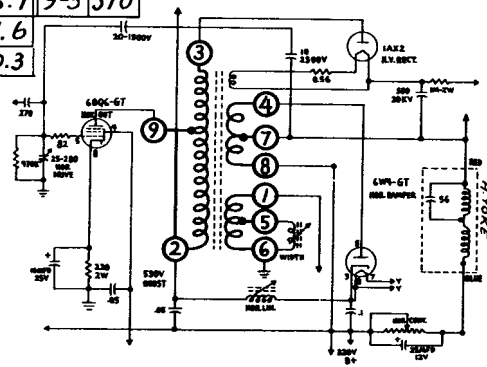
D. C. RESISTANCE *			
PIN NOS.	OHMS	PIN NOS.	OHMS
1-2	0.7	4-5	0.7
2-3	3.2	6-7	11
3-4	4.9	7-8	25.6

X076



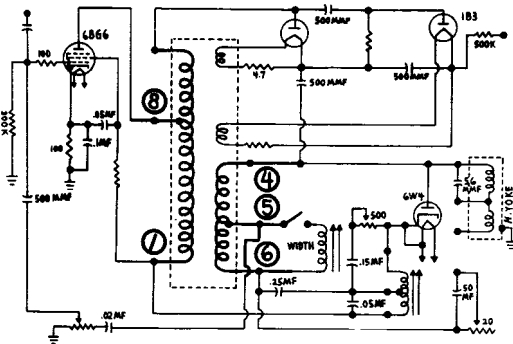
D. C. RESISTANCE *			
PIN NOS.	OHMS	PIN NOS.	OHMS
4-7	3.1	2-9	39
7-8	6.7	9-3	51.0
1-5	1.6		
5-6	0.3		

X075



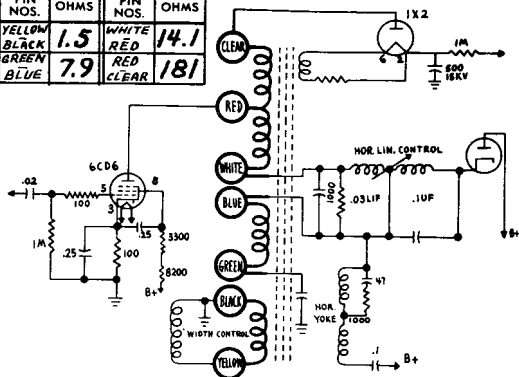
D. C. RESISTANCE *			
PIN NOS.	OHMS	PIN NOS.	OHMS
4-5	7.2	1-2	53
5-6	0.6	2-3	29.5

X077



D. C. RESISTANCE *			
PIN NOS.	OHMS	PIN NOS.	OHMS
YELLOW	1.5	WHITE	14.1
BLACK		RED	
GREEN	7.9	RED	181
BLUE		CLEAR	

X078



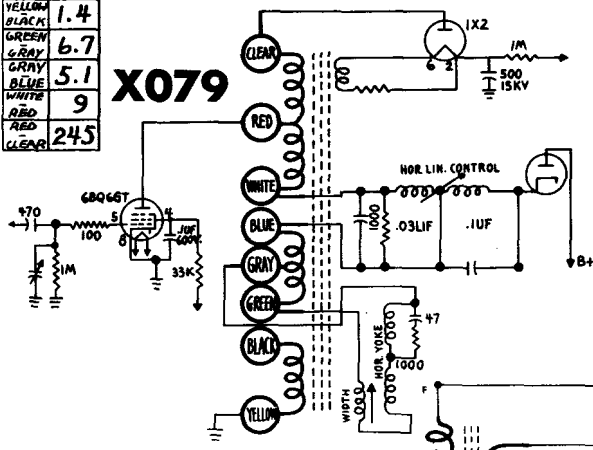
* NOTE

THE D-C RESISTANCE VALUES INDICATED ARE FOR COMPARISON PURPOSES ONLY. Due to variations in wire size, continual permeability improvement in core material, and production winding techniques, these values may vary and still produce the required inductance.

TYPICAL CIRCUIT APPLICATIONS

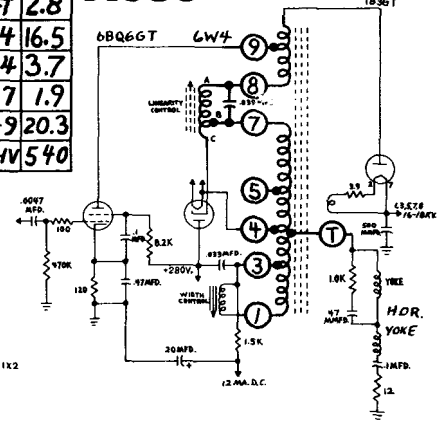
D. C. RESISTANCE	
PIN NOS.	OHMS
YELLOW	1.4
BLACK	6.7
GRAY	5.1
BLUE	9
WHITE	245
RED	
RED	
CLEAR	

X079



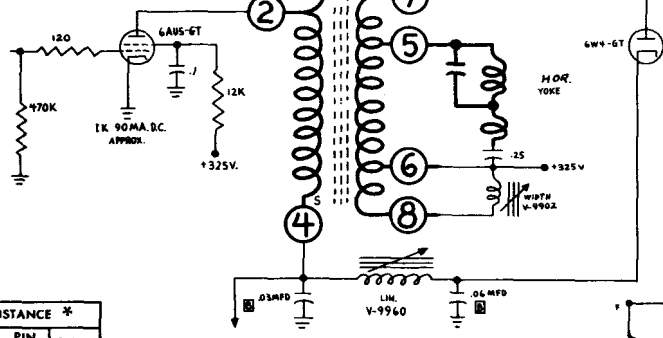
D. C. RESISTANCE	
PIN NOS.	OHMS
1-3	2.5
3-7	2.8
7-4	16.5
5-4	3.7
4-7	1.9
8-9	20.3
9-HV	540

X080



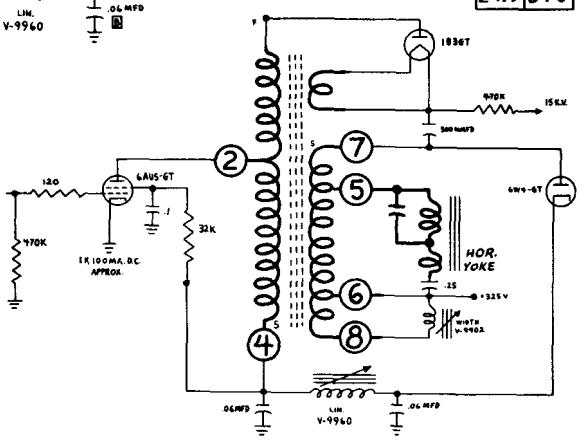
D. C. RESISTANCE	
PIN NOS.	OHMS
7-5	1
5-6	5
6-8	0.4
4-2	45
2-HV	300

X081



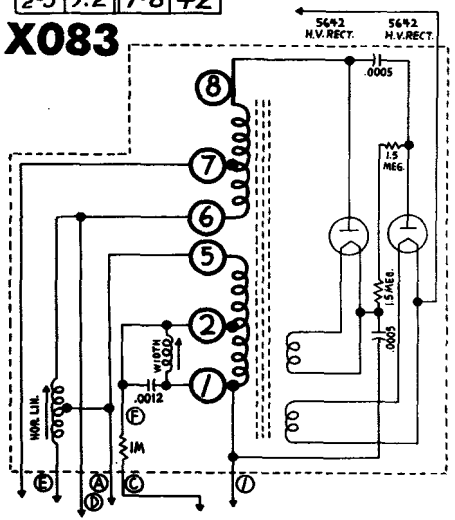
D. C. RESISTANCE	
PIN NOS.	OHMS
7-5	1.5
5-6	7.9
6-8	0.6
4-2	4.2
2-HV	310

X082



D. C. RESISTANCE *			
PIN NOS.	OHMS	PIN NOS.	OHMS
1-2	8	6-7	14
2-5	9.2	7-8	4.2

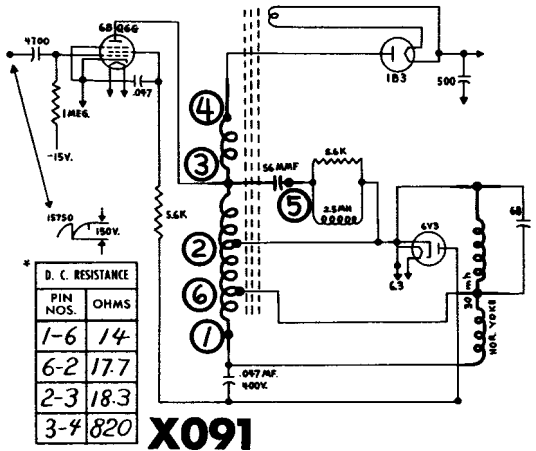
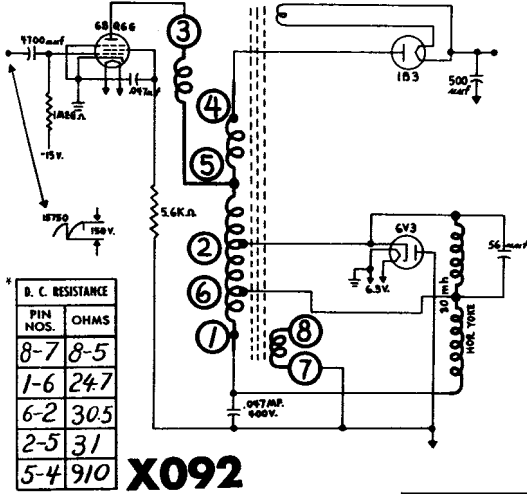
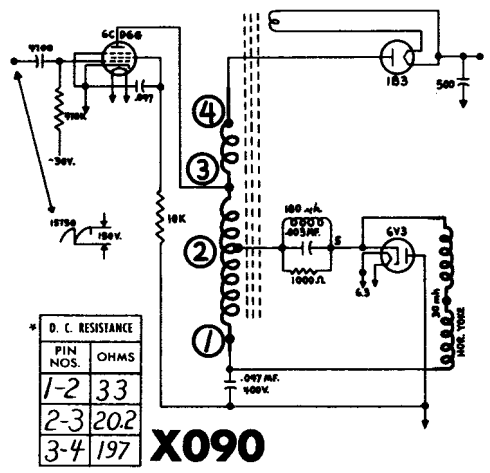
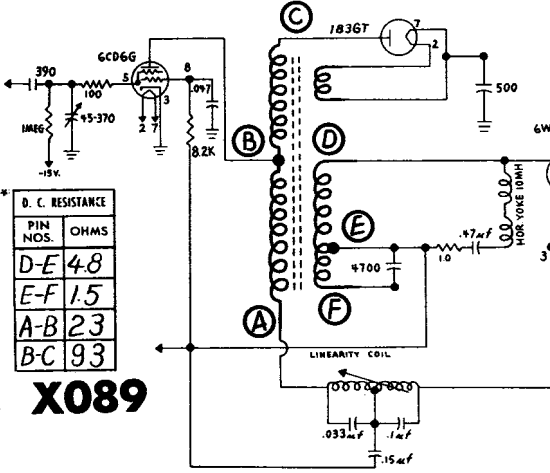
X083



*** NOTE**

THE D-C RESISTANCE VALUES INDICATED ARE FOR COMPARISON PURPOSES ONLY. Due to variations in wire size, continual permeability improvement in core material, and production winding techniques, these values may vary and still produce the required inductance.

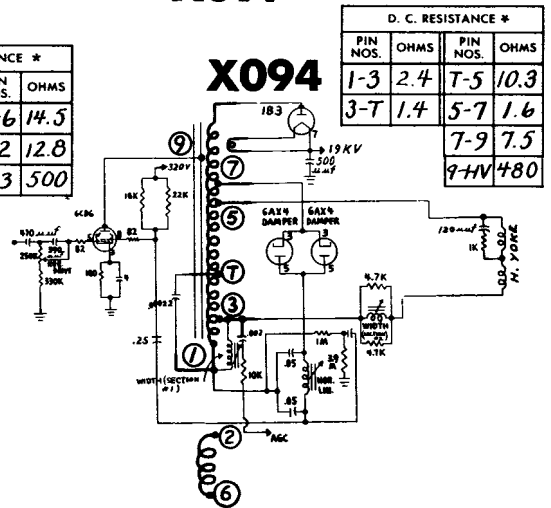
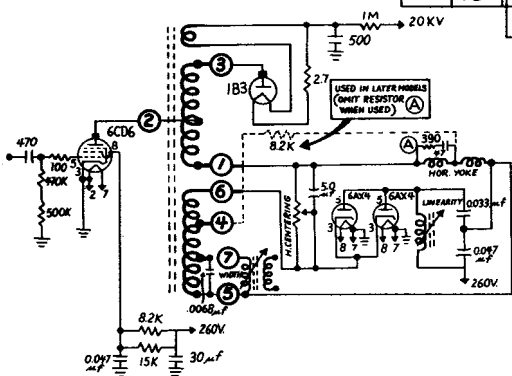
TYPICAL CIRCUIT APPLICATIONS



X093

D. C. RESISTANCE *

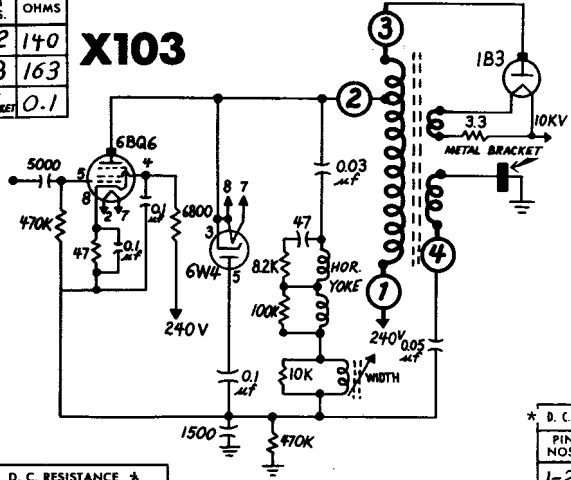
PIN NOS.	OHMS	PIN NOS.	OHMS
5-7	3.3	4-6	14.5
7-4	13	1-2	12.8
2-3	500		



TYPICAL CIRCUIT APPLICATIONS

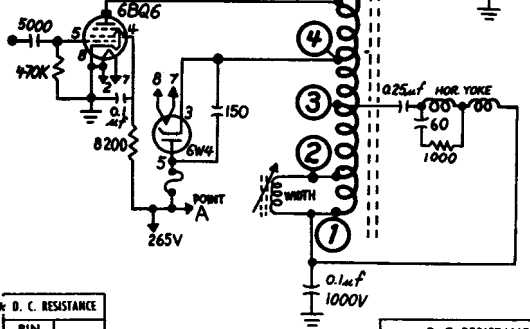
D. C. RESISTANCE	
PIN NOS.	OHMS
1-2	140
2-3	163
4-BRACKET	0.1

X103



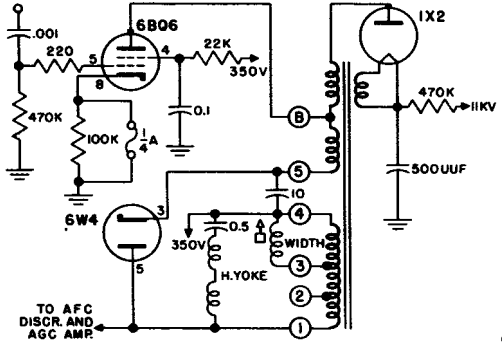
D. C. RESISTANCE *			
PIN NOS.	OHMS	PIN NOS.	OHMS
1-2	1.5	4-5	9.0
2-3	4.0	5-6	250
3-4	6.2		

X105



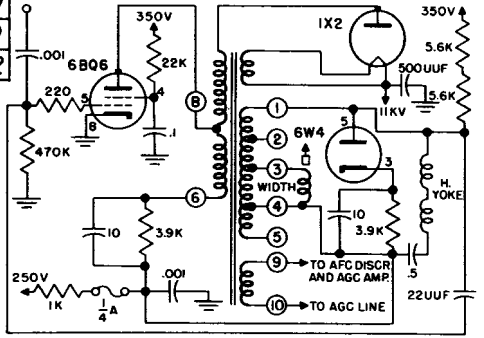
* D. C. RESISTANCE	
PIN NOS.	OHMS
1-2	1.2
2-3	5.7
3-4	0.5
5-8	47
8-HV	220

X107



D. C. RESISTANCE *			
PIN NOS.	OHMS	PIN NOS.	OHMS
1-2	4.2	2-6	1.9
2-7	0.4	7-9	4.9
7-4	0.4	9-HV	34.2
4-5	0.4		

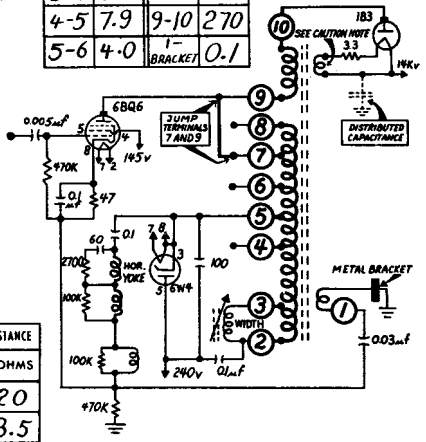
X108



***NOTE**
THE D-C RESISTANCE VALUES INDICATED ARE FOR COMPARISON PURPOSES ONLY. Due to variations in wire size, continual permeability improvement in core material, and production winding techniques, these values may vary and still produce the required inductance.

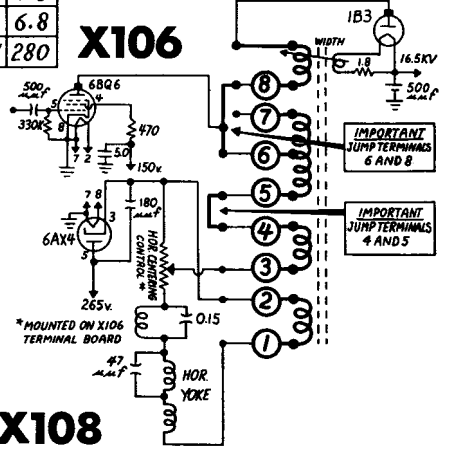
D. C. RESISTANCE *			
PIN NOS.	OHMS	PIN NOS.	OHMS
2-3	2.3	6-7	19
3-4	7.9	7-8	6.0
4-5	7.9	9-10	270
5-6	4.0	1-BRACKET	0.1

X104



* D. C. RESISTANCE	
PIN NOS.	OHMS
1-2	20
3-4	3.5
5-6	13.3
6-7	6.8
8-HV	280

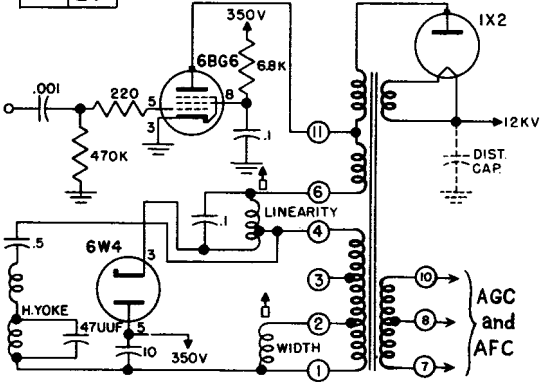
X106



TYPICAL CIRCUIT APPLICATIONS

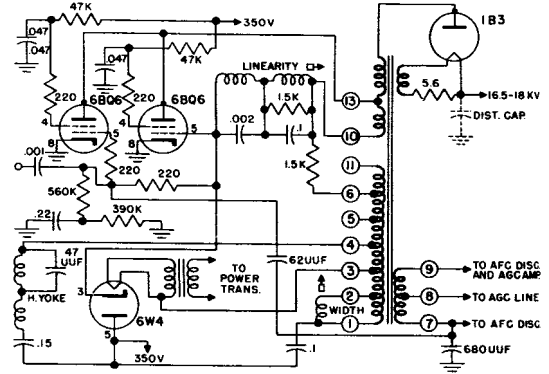
D. C. RESISTANCE			
PIN NOS.	OHMS	PIN NOS.	OHMS
1-2	0.6	11-11V	166
2-3	8.0	7-8	2.8
3-4	0.8	8-10	2.8
6-11	2.1		

X109



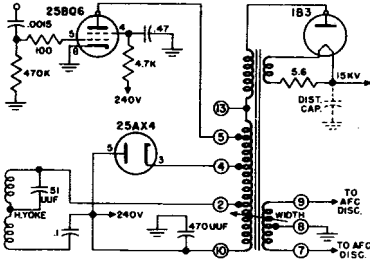
D. C. RESISTANCE			
PIN NOS.	OHMS	PIN NOS.	OHMS
1-2	0.5	6-11	4.6
2-3	2.9	7-8	2.2
3-4	2.8	8-9	2.2
4-5	0.5	10-13	11.2
5-6	6.5	13-11V	24.0

X110



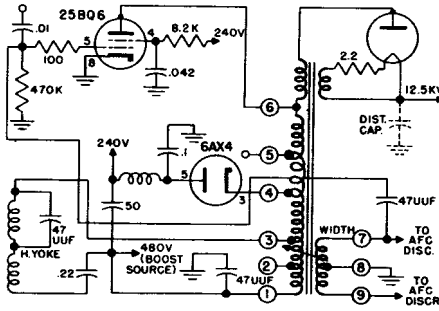
D. C. RESISTANCE			
PIN NOS.	OHMS	PIN NOS.	OHMS
10-2	7.2	13-11V	196
2-4	10.3	7-8	2.8
4-5	5.6	8-9	2.8
5-13	1.6		

X112



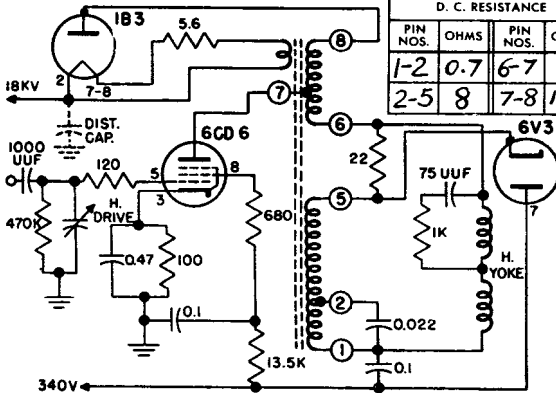
D. C. RESISTANCE			
PIN NOS.	OHMS	PIN NOS.	OHMS
1-2	7.5	5-6	39
2-3	0.3	6-11V	177
3-4	8.6	7-8	2.8
4-5	1.1	8-9	2.8

X111



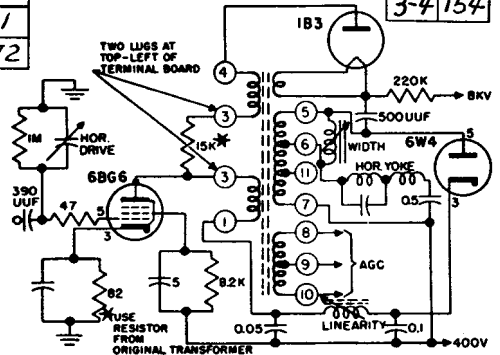
X114

D. C. RESISTANCE			
PIN NOS.	OHMS	PIN NOS.	OHMS
1-2	0.7	6-7	11
2-5	8	7-8	172



X115

D. C. RESISTANCE			
PIN NOS.	OHMS	PIN NOS.	OHMS
5-6	3.3	8-9	0.8
6-11	1.1	9-10	0.8
11-7	5	1-3	4.5
		3-4	154

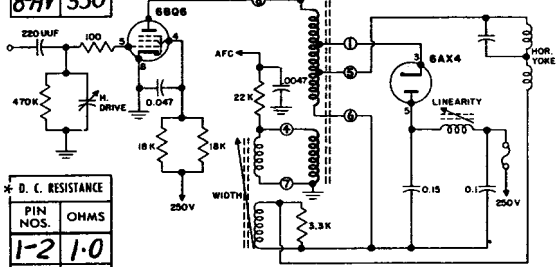


TYPICAL CIRCUIT APPLICATIONS

D. C. RESISTANCE *

PIN NOS.	OHMS
7-4	2.3
6-5	12.2
5-1	2.6
1-8	9.7
8-HV	350

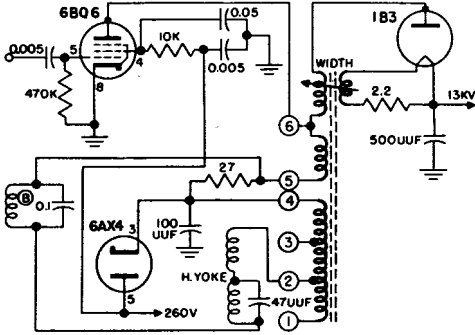
X116



D. C. RESISTANCE *

PIN NOS.	OHMS
1-2	1.0
2-3	2.7
3-4	17.6
5-6	20.2
6-HV	210

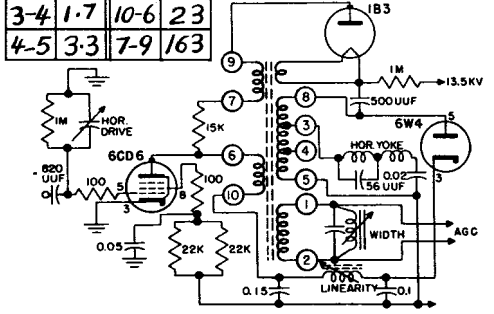
X118



D. C. RESISTANCE *

PIN NOS.	OHMS	PIN NOS.	OHMS
8-3	2.9	1-2	1.2
3-4	1.7	10-6	23
4-5	3.3	7-9	163

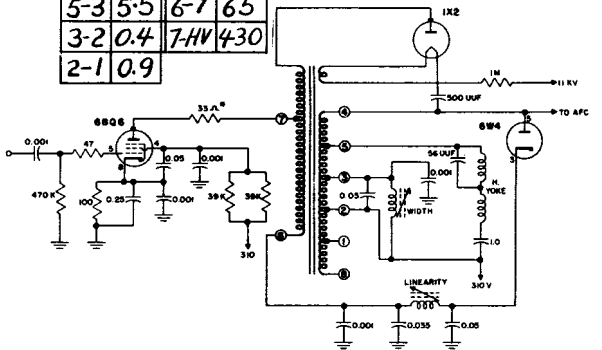
X117



D. C. RESISTANCE *

PIN NOS.	OHMS	PIN NOS.	OHMS
4-5	1.6	1-8	0.6
5-3	5.5	6-7	6.5
3-2	0.4	7-HV	430
2-1	0.9		

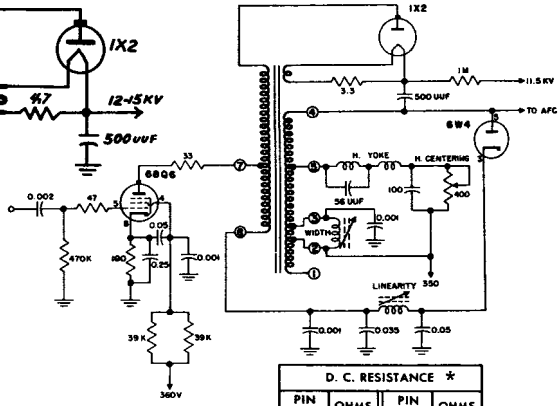
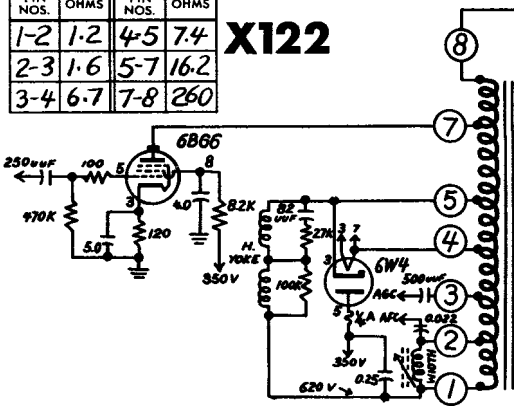
X119



D. C. RESISTANCE *

PIN NOS.	OHMS	PIN NOS.	OHMS
1-2	1.2	4-5	7.4
2-3	1.6	5-7	16.2
3-4	6.7	7-8	260

X122



D. C. RESISTANCE *

PIN NOS.	OHMS	PIN NOS.	OHMS
4-5	1.3	2-1	0.4
5-3	4.3	8-7	37
3-2	0.5	7-HV	290

X120

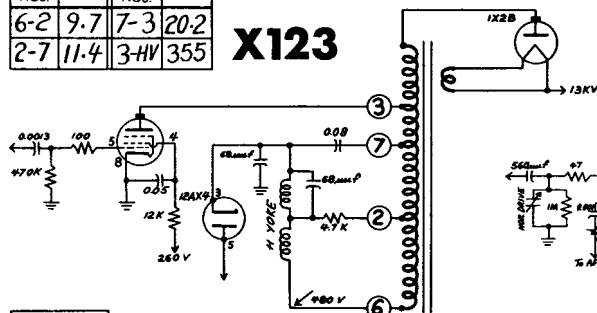
***NOTE**

THE D-C RESISTANCE VALUES INDICATED ARE FOR COMPARISON PURPOSES ONLY. Due to variations in wire size, continual permeability improvement in core material, and production winding techniques, these values may vary and still produce the required inductance.

D. C. RESISTANCE *			
PIN NOS.	OHMS	PIN NOS.	OHMS
6-2	9.7	7-3	20.2
2-7	11.4	3-HV	355

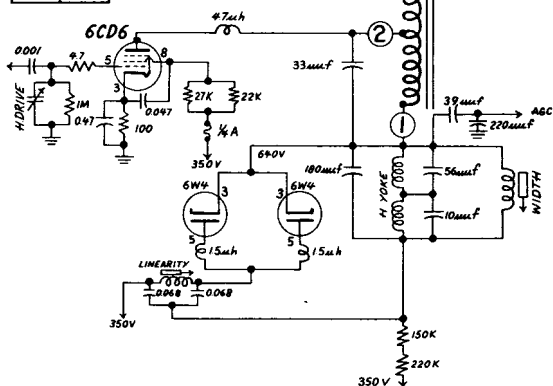
TYPICAL CIRCUIT APPLICATIONS

X123



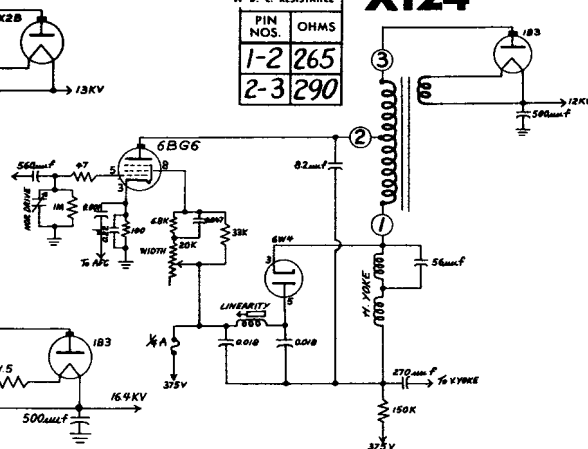
* D. C. RESISTANCE	
PIN NOS.	OHMS
1-2	12
2-3	304

X125



* D. C. RESISTANCE	
PIN NOS.	OHMS
1-2	265
2-3	290

X124



PIX-A-FAULT

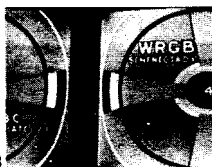
HORIZONTAL SWEEP CIRCUIT



12

FAULT—H. Drive bars.

CAUSE—Misadjustment H. Drive control; H. Output stage not working properly.



13

FAULT—Split picture.

CAUSE—Reversed AGC winding of H. Output Transformer; insufficient AGC voltage or reversed polarity.



14

FAULT—H. Foldover, Poor focusing.

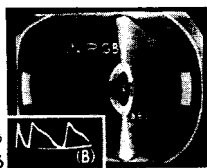
CAUSE—Defective damper tube or associated circuitry.



15

FAULT—Blooming.

CAUSE—Decreased high voltage output of H. Output Transformer.



16

FAULT—Picture compression and stretching.

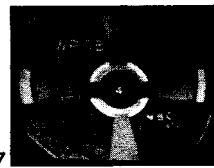
CAUSE—Capacitance value of boost capacitor (connected to linearity coil) too low.

(B) H. Yoke current waveform

Leaky boost capacitor could cause similar effect.

FAULT—Vertical line distortion (similar to Barkhausen oscillations).

CAUSE—Arcing due to poor solder connection at H-V Rectifier plate cap.

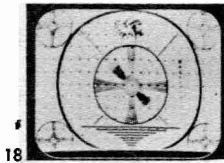


17

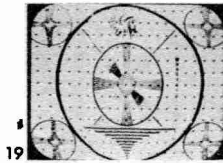
FOR ADDITIONAL PIX-A-FAULTS SEE PAGES 32, 33, 64

Photos courtesy of ⚡ GENERAL ELECTRIC ⚡ RAYTHEON

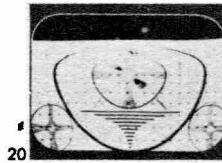
PIX - A - FAULT



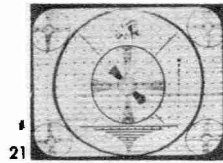
18
FAULT—Slight Bottom Foldover.
CAUSE—Misadjustment of Vertical Controls; weak Vert. tube(s); low line and/or B⁺ voltage; lowered Yoke or Vert. Output Trans. efficiency.



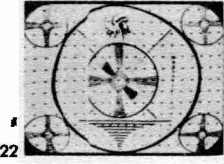
19
FAULT—Hor. Drive Bars (barely visible).
CAUSE—Misadjusted Drive Control; H. Output and H. Osc. tubes and circuit; Linearity coil and associated circuit.



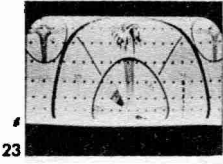
20
FAULT—Poor Vertical Height and Linearity.
CAUSE—Misadjustment of Vertical Controls; low line, B⁺ voltage; defective Vertical tube; faulty Vert. Output Transformer.



21
FAULT—Hor. Black and White Bars.
CAUSE—Microphonic Vert. Osc. Tube (Hor. scanning lines compress and expand causing black and white shadings).



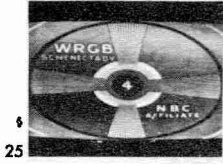
22
FAULT—Hor. Drive Bars and Foldover.
CAUSE—Hor. Drive Control; H. Output H. Osc. tubes and circuit; Misadjustment of Linearity coil and circuit.



23
FAULT—Excessive Bottom Foldover.
CAUSE—Misadjustment of Vert. Controls; weak Vert. Tube(s); low line, B⁺ voltage; low Yoke or Vert. Output Trans. efficiency.



24
FAULT—Picture Displaced to Left.
CAUSE—Shorted Capacitor (of parallel R-C network) which is in series with Hor. Yoke winding.



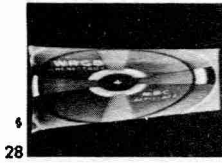
25
FAULT—Reduction in Picture Height and Width (after few minutes operation).
CAUSE—Capacitor from control grid to ground of Vert. Output tube overheats. Position Capacitor so that it is at least one-half inch from chassis ground.



26
FAULT—Reverse and Upside Down Picture.
CAUSE—Wires going to vertical section of Yoke are reversed.



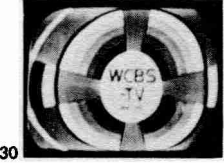
27
FAULT—Compression at Left and Squeezing at Right.
CAUSE—0.05 MF Boost Capacitor (connected to linearity coil) is used in place of a 0.1 MF Capacitor. (C). H. Yoke current waveform.



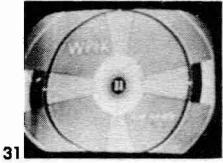
28
FAULT—Trapezoidal Pattern.
CAUSE—Short in Vert. winding of Yoke.



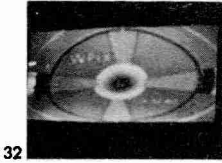
29
FAULT—Picture Stretching at Left and Compression at Right.
CAUSE—0.02 MF Boost Capacitor (connected to linearity coil) used instead of 0.1 MF Capacitor. (D). H. Yoke current waveform.



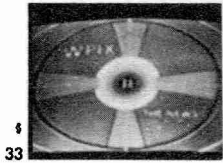
30
FAULT—Hor. Foldover and Non-linearity; Neck Shadow.
CAUSE—Hor. Yoke inductance lower than rated value; improper Yoke positioning.



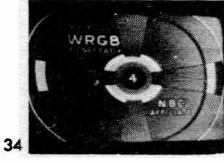
31
FAULT—Non-uniform Picture Focusing.
CAUSE—Yoke used with picture tube incapable of producing edge-to-edge focus (improper selection of replacement).



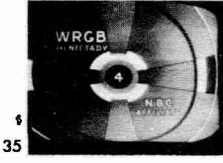
32
FAULT—Insufficient Height, Non-linearity.
CAUSE—Damping resistors across Vert. Yoke coils lower than rated value.



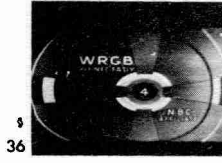
33
FAULT—Insufficient Height and Width.
CAUSE—Loose ferrite Yoke core segments.



34
FAULT—Reduced Picture Size (sometimes accompanied by V. Ripples).
CAUSE—Capacitor connected between Vert. and Hor. Yoke windings exceeds rated value.



35
FAULT—Compression at Right and Bottom.
CAUSE—Yoke does not contain one (of four) ferrite Yoke segments.



36
FAULT—Stretching at left, reduction in Height and Width.
CAUSE—Yoke does not contain two (of four) ferrite Yoke segments.



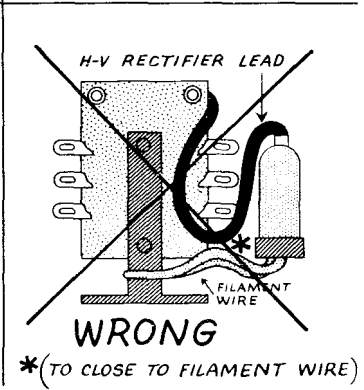
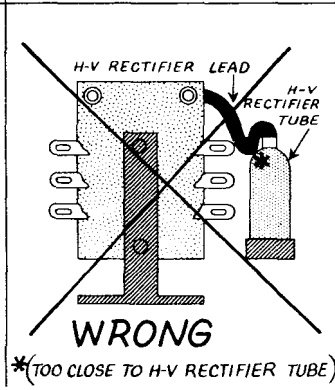
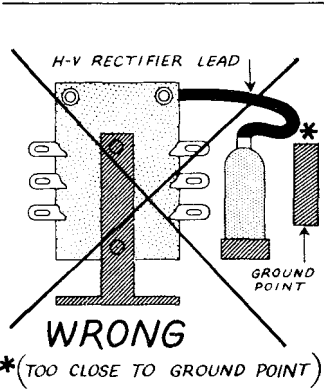
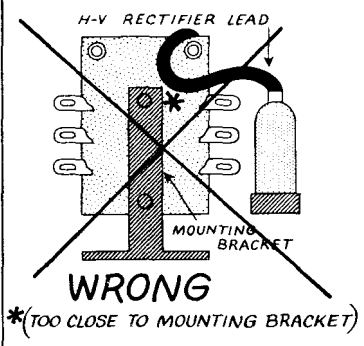
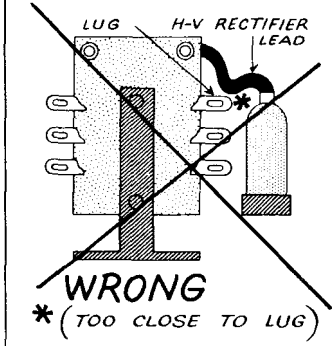
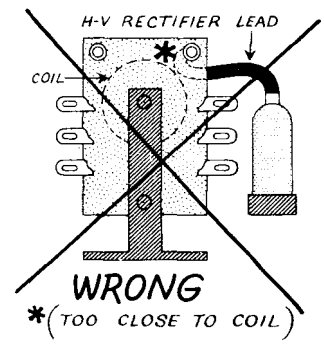
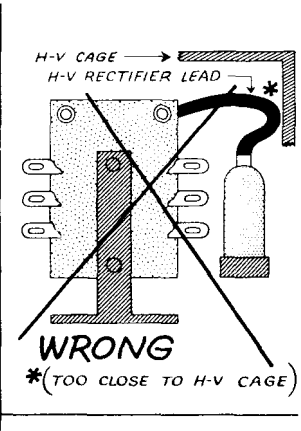
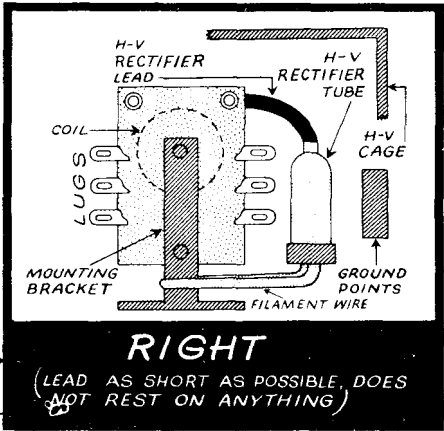
37
FAULT—Rhombus picture reduction in Height and Width.
CAUSE—Yoke does not contain three (of four) ferrite Yoke segments.

(C), (D). Obtained by connecting scope across 10 ohm resistor inserted in series.

FOR ADDITIONAL PIX-A-FAULTS SEE PAGES 32, 33, 63

Photo courtesy of GENERAL ELECTRIC
Photo courtesy of RAYTHEON

HOW TO DRESS H-V RECTIFIER LEAD CORRECTLY



RAM ELECTRONICS SALES CO., South Buckhout St., Irvington-On-Hudson, N. Y.

TROUBLE-FACTS

1-Q. WHAT OCCURS WHEN A MISMATCH EXISTS BETWEEN A HORIZONTAL OUTPUT TRANSFORMER (H.O.T.) AND YOKE? I. E., WHAT ARE VISUAL SYMPTOMS?

A. HOR. OR VERT. FOLDOVER; ABNORMAL HEIGHT OR WIDTH; POOR FOCUS; POOR BRIGHTNESS; VERT. OR HOR. NON-LINEARITY; RINGING.

2-Q. FOR PROPER OPERATION, WHAT CURRENT AND VOLTAGES MUST BE MEASURED AFTER MAKING A H.O.T. REPLACEMENT?

A. CATHODE CURRENT MUST AGREE WITH MANUFACTURERS' SPECS AND THEREFORE NOT EXCEED 85-100 MA. HIGH VOLTAGE, SCREEN, B_f , AND BOOST VOLTAGES MUST BE HELD TO RECOMMENDED VALUES.

3-Q. ALTHOUGH YOKE CAPACITOR-RESISTOR NETWORKS VARY IN EACH CHASSIS, HOW SHOULD THE NETWORK BE CONNECTED TO PREVENT "RINGING" AND "CROSS-TALK"?

A. "CROSS-TALK" (PICK-UP BETWEEN YOKE WINDINGS) AND "RINGING" (UNRECTIFIED DAMPED OSCILLATIONS) REQUIRE CONNECTIONS AS PER MANUFACTURERS' SCHEMATIC.

4-Q. IN CHECKING THE H., SWEEP CIRCUIT, WHAT IS THE SUGGESTED PROCEDURE?

A. CHECK H. OUT, DAMPER, AND H.V. RECTIFIER TUBES. CHECK B_f , BOOST, FILAMENT AND HOR. OUT. DRIVE AND SCREEN VOLTAGES. CHECK ALL OTHER CIRCUIT COMPONENTS INCLUDING YOKE, WIDTH AND LIN. COILS FOR OPEN, SHORT, OR PARTIAL SHORT, USING OHMMETER AND VTVM. REFER TO H.O.T. D-C RESISTANCE VALUES IN SCHEMATICS.

5-Q. HOW CAN INSUFFICIENT PICTURE HEIGHT BE CORRECTED AFTER H.O.T. INSTALLATION?

A. INCREASE VOLTAGE TO PRIMARY OF VERT. OUT. TRANSFORMER BY ANY ONE OF THE FOLLOWING: CONNECT 5K RESISTOR BETWEEN V. OUT. TRANSFORMER AND GROUND. CONNECT 10 MF CAPACITOR FROM B_f SIDE OF VERT. OUT. TRANSFORMER AND GROUND; USE VERT. OUT. TRANSFORMER AS AUTO-TRANSFORMER BY CONNECTING PRIMARY AND SECONDARY IN SERIES. IF NECESSARY, USE VERT. OUT. TRANSFORMER HAVING HIGHER POWER RATING.

6-Q. HOW CAN WIDTH BE INCREASED AFTER H.O.T. INSTALLATION?

A. ADD CAPACITOR APPROXIMATELY 1000 V. RATING ACROSS WIDTH COIL. THIS RESULTS IN LOWER HIGH VOLTAGE OUTPUT. THE HIGHER THE CAPACITANCE VALUE, THE GREATER THE WIDTH; THIS VALUE CAN BE INCREASED, UNTIL FOLDOVER RESULTS. THE SUGGESTED RANGE OF CAPACITANCE TO BE TRIED IS .0001 TO .001 MF. OTHER METHODS OF INCREASING WIDTH ARE: REPLACE HOR. OUT. OR L.V. RECTIFIER TUBES.

7-Q. HOW CAN HIGH VOLTAGE BE INCREASED?

A. INCREASE H.V. OUT. BY: MOVING THE LOW SIDE OF THE 500 MMF H.V. CAPACITOR WHICH IS USUALLY CONNECTED TO GROUND, TO PLATE OF DAMPER (OR CATHODE, IF IT IS AUTOTRANSFORMER). DECREASE H.O.T. BIAS, INCREASE HOR. DRIVE, INCREASE HOR. OUT. SCREEN VOLTAGE BY REDUCING VALUE OF SCREEN GRID DROPPING RESISTOR. CAUTION: DO NOT MAKE ANY OF THESE CHANGES IF THE H. OUT. CATHODE CURRENT EXCEEDS THE 85-100 MA RECOMMENDED RANGE.

8-Q. CAN HORIZ. FOLDOVER RESULT FROM DECREASED EFFICIENCY OF A HORIZ. SWEEP CIRCUIT AFTER AN EXACT YOKE REPLACEMENT HAS BEEN INSTALLED?

A. YES, IF THE EFFICIENCY IS EXTREMELY LOW. IN THIS CASE, THE MISMATCH BETWEEN THE H.O.T. AND YOKE IS VERY GREAT. A NEW H.O.T. MUST BE INSTALLED.

9-Q. WHAT CAUSES A H.O.T. TO BURN OUT?

A. UNDER NORMAL USAGE: RELATIVELY HIGH OPERATING TEMPERATURES WHERE WINDING EXPANDS AND ANTI-CORONA WAX SOFTENS; ON COOLING, ABSORPTION OF MOISTURE CAN CAUSE GREAT INCREASE IN DISTRIBUTED CAPACITANCE, REDUCING THE OPERATING EFFICIENCY OF THE H.O.T. BELOW A USABLE VALUE. DUST BORNE ALONG WITH COOL AIR DISPLACES THE HOT AIR GENERATED IN THE RECEIVER, COATS THE H.O.T., FORMING CARBON PATHS, THE BASIS FOR CORONA AND ARCING.

ABNORMAL USAGE: EACH COMPONENT HAS A CAREFULLY CALCULATED LIMIT AS TO CURRENT, VOLTAGE, INSULATION, DISTRIBUTED CAPACITANCE AND RESONANT FREQUENCY. (SEE CHART-PG. 2) AN UNDUKE LOAD IS IMPRESSED ON THE UNIT WHEN SELECTING A SWEEP H.O.T. FOR REPLACEMENT, AND OPERATIONAL FAILURE USUALLY OCCURS.

10-Q. WHAT MUST BE CONSIDERED WHEN REPLACING A YOKE?

A. THE DEFLECTION ANGLE OF THE REPLACEMENT YOKE SHOULD BE THE SAME AS THE PICTURE TUBE. A 70 DEGREE YOKE MAY REPLACE A YOKE WITH A LESSER ANGLE OF DEFLECTION. THE INDUCTANCE AND RESISTANCE VALUES OF THE REPLACEMENT YOKE SHOULD BE THE SAME AS THAT OF THE ORIGINAL. THE HORIZ. INDUCTANCE VALUES SHOULD NOT BE EXCEEDED BY MORE THAN 5%. THE VERT. WINDING VALUES, NOT MORE THAN 10%. THE REPLACEMENT YOKE SHOULD HAVE THE SAME CHARACTERISTICS AS THE ORIGINAL YOKE. YOKES HAVING FERRITE CORES CAN BE USED TO REPLACE IRON-WIRE OR POWDERED IRON TYPE.

11-Q. WHAT IS A "UNIVERSAL-TYPE" H.O.T.?

A. ONE WHOSE APPLICATION IS WIDESPREAD IN THAT IT IS USUALLY NECESSARY TO MAKE MANY ELECTRICAL CHANGES IN ITS CIRCUIT FOR IT TO OPERATE SATISFACTORILY. OFTEN THESE CHANGES EXTEND THE UNIT BEYOND IT'S RECOMMENDED OPERATING LIMITS.

12-Q. WHAT IS A "COMPOSITE-TYPE" H.O.T.?

A. IT IS AN EXACT REPLACEMENT TRANSFORMER WITH ONE ADDED FEATURE. THAT IS, TO MAKE IT A REPLACEMENT FOR SEVERAL TRANSFORMERS. THIS IS DONE BY PROVIDING THE TRANSFORMER WITH COMPOUNDED WINDINGS. THE RAM X106 IS AN EXAMPLE OF SUCH A TRANSFORMER WHICH REPLACES 18 MOTOROLA NUMBERS; THE INSTRUCTION SHEET INDICATES WHICH TAPS OF THE TRANSFORMER TO USE FOR THE PARTICULAR MOTOROLA TO BE REPLACED. ALL OF THE MECHANICAL CONSIDERATIONS ARE VERY CAREFULLY INCLUDED.

13-Q. HOW CAN H.O.T. "RINGING" BE PREVENTED OR MINIMIZED?

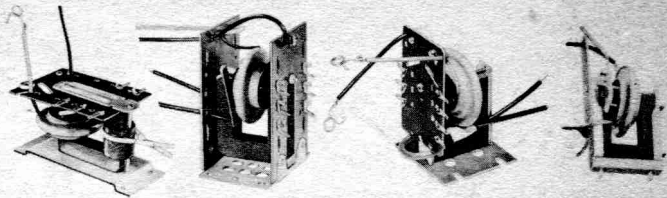
A. PLACE STRIPS OF RUBBER OR VINYL SHEETING BETWEEN METAL MOUNTING BRACKET AND CHASSIS, SPRAY ACRYLIC INSULATING MATERIAL BETWEEN THE CORE AND BRACKET.

14-Q. WHAT ARE SOME OF THE FAULTY INSTALLATIONS "TECHNIQUES" THAT WILL CAUSE A REPLACEMENT TRANSFORMER TO BURN OUT?

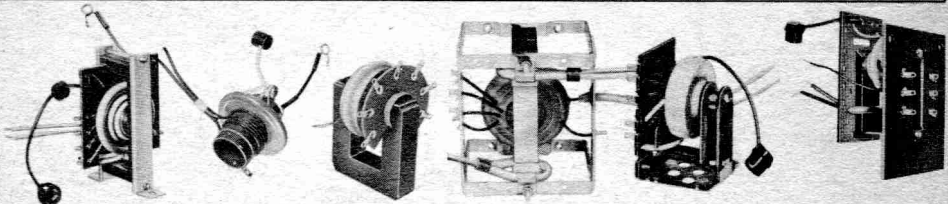
A. POOR GROUNDING OF BRACKET PLATES; IMPROPER LEAD DRESS; ARCING OF FILAMENT LEAD WIRES DUE TO POSITIONING TOO CLOSE TO HIGH VOLTAGE WINDING; FAILURE TO CHECK FOR FAULTY HORIZONTAL TUBE; DAMPER TUBE OR OTHER ASSOCIATED CIRCUITRY.

FOR ADDITIONAL SWEEP CIRCUIT INFORMATION, ADDRESS INQUIRIES TO: EDUCATIONAL DIR., RAM ELECTRONICS SALES CO., IRVINGTON, N. Y.

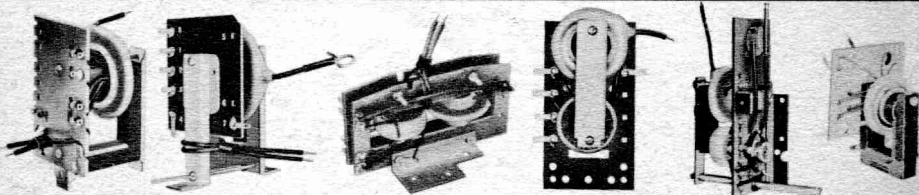
Typical Mountings of RAM Components



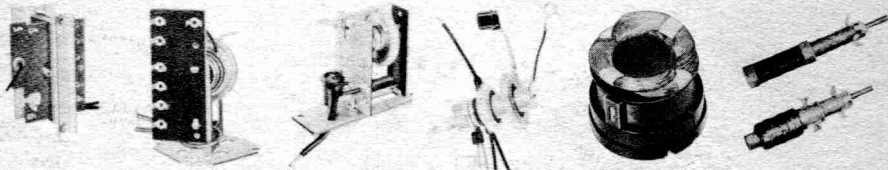
Mounting A Mounting B Mounting C Mounting D



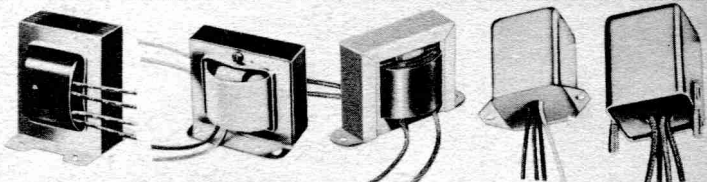
Mounting E Mounting F Mounting G Mounting H Mounting I Mounting J



Mounting K Mounting L Mounting M Mounting N Mounting O Mounting P



Mounting Q Mounting R Mounting S Mounting T YOKES COILS



Mounting V1 Mounting V2 Mounting V3 Mounting V5 Mounting V6

**AUTHORIZED
DISTRIBUTOR**

BUCKEYE ELECTRONICS DISTRIBUTORS, INC.
 242 EAST LONG STREET
 COLUMBUS, OHIO
 CA. 8-2697 — CA. 4-12