

SUPPLEMENTAL DATA TO PHOTOFACT FOLDER 3 IN SET 399

RCA Victor Models 21CD8725, U, 21CD8727, U, 21CD8775, U, 21CD8776, U, 21CD8777, U, 21CD8865, U, 21CD8866, U, 21CD8867, U, 21CD8885, U, 21CD8886, U, 21CD8888, U, 21CD8906, U, 21CD8907, U, 21CD8926, U, 21CD8927, U, 21CD8949, U (Ch. CTC7A, B, C, D, E, F) were covered in PHOTOFACT Folder 3 - Set 399.

Models 21CF8960, U and 21CF8965, U (Ch. CTC7N, P, CTP5A) are electrically identical to the models covered except for the following changes.

AUDIO CIRCUIT CHANGED

A separate audio amplifier chassis is used in Ch. CTC7N, P. When this separate amplifier chassis is used, V8 (Audio Output) is changed to a voltage regulator circuit. Partial schematics showing the voltage regulator circuit and the audio amplifier circuit is given in this bulletin.

COMPONENT CHANGES

R52 is omitted.

L15 is omitted.

A 1000m μ f @ 500V ceramic capacitor is added from the junction of R41 and the 280 voltage source to ground.

R133 is decreased from 22meg to 10meg.

R3B is now a single control as R3A (Tone) is a part of the separate amplifier chassis. The new part number for the height control is #105877.

AC INPUT CIRCUIT REVISED

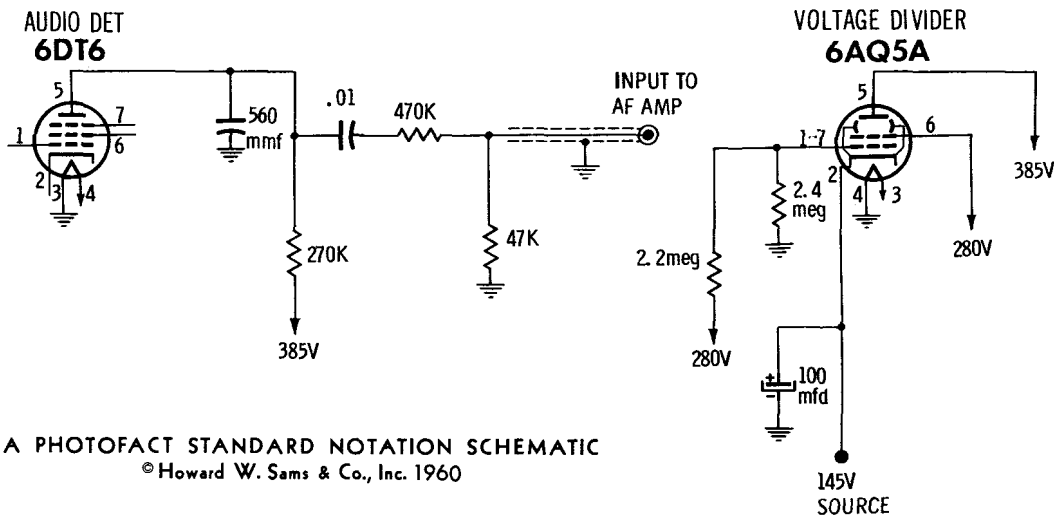
The AC Input Circuit has been revised in order to use the separate audio amplifier chassis.

A partial schematic showing the new circuit is given in this bulletin.

RCA VICTOR MODELS 21CF8960, U, 21CF8965, U (Ch. CTC7N, P, CTP5A)

PRODUCTION CHANGE
BULLETIN 236

PRODUCTION CHANGE
BULLETIN 236



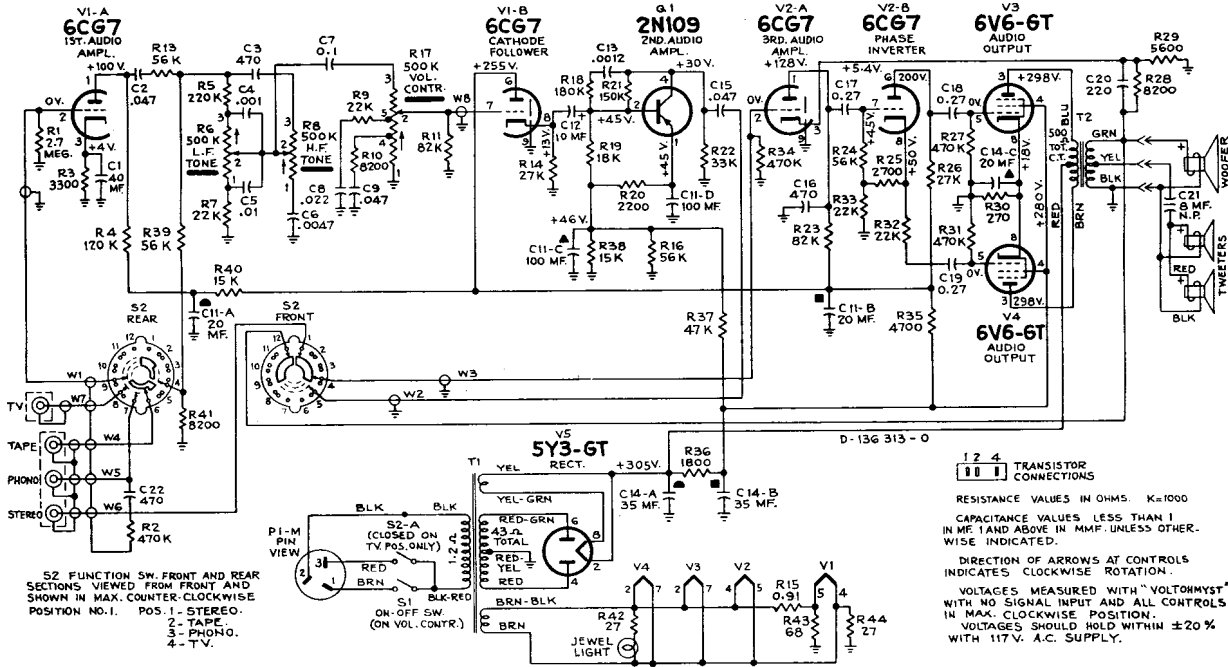
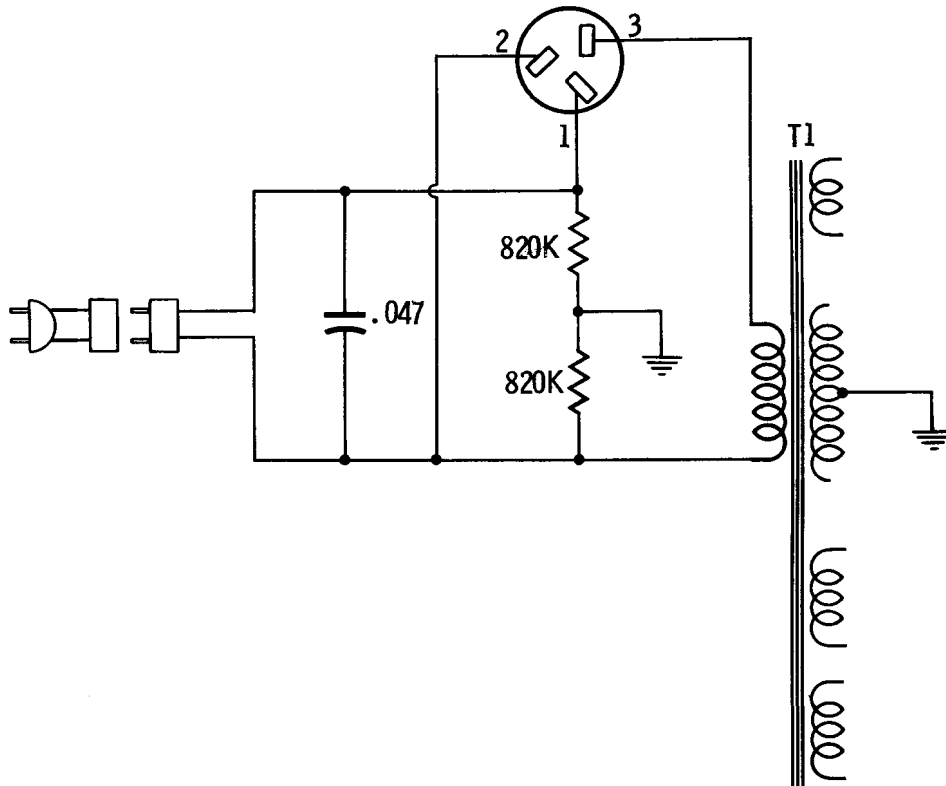
HOWARD W. SAMS & CO., INC. Indianapolis 6, Indiana



The listing of any available replacement part herein does not constitute in any case a recommendation, warranty or guaranty by Howard W. Sams & Co., Inc., as to the quality and suitability of such replacement part. The numbers of these parts have been compiled from information furnished to Howard W. Sams & Co., Inc., by the manufacturers of

the particular type of replacement part listed. Reproduction or use, without express permission, of editorial or pictorial content, in any manner, is prohibited. No patent liability is assumed with respect to the use of the information contained herein. © 1960 Howard W. Sams & Co., Inc., Indianapolis 6, Indiana. Printed in U.S. of America

AF AMP POWER SOCKET



CTP5A AUDIO AMPLIFIER

Schematic Diagram Courtesy of Radio Corporation of America